



CABLE 319 RF: I-PEX MHF I LK PLUG + SMA STRAIGHT BULKHEAD JACK WITH O-RING RATED TO IP67/68 + MULTIPLE CABLE SIZES

SPECIFICATIONS :

- I-PEX MHF I LK PLUG, P/N:
 FOR $\phi 1.37\text{MM}$ CABLE: 20670-001R-37 + 33767-000.
 FOR $\phi 1.13\text{MM}$ CABLE: 20670-001R-13 + 3376-000.
 FOR RG178 CABLE: 20670-001R-18 + 3376-000.
- COAXIAL CABLE, SEE P/N OPTIONS.
- SMA STRAIGHT BULKHEAD JACK WITH O-RING RATED TO IP67/68, P/N:
 RFCT-SMA002-F78.

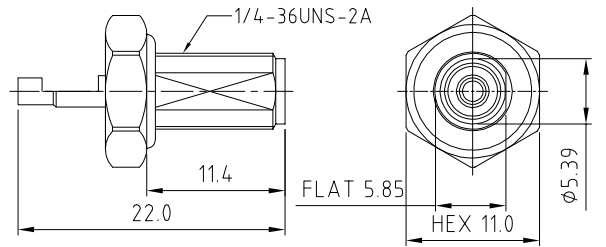
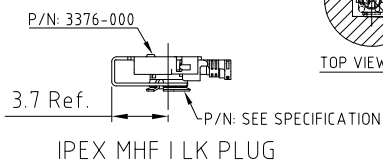
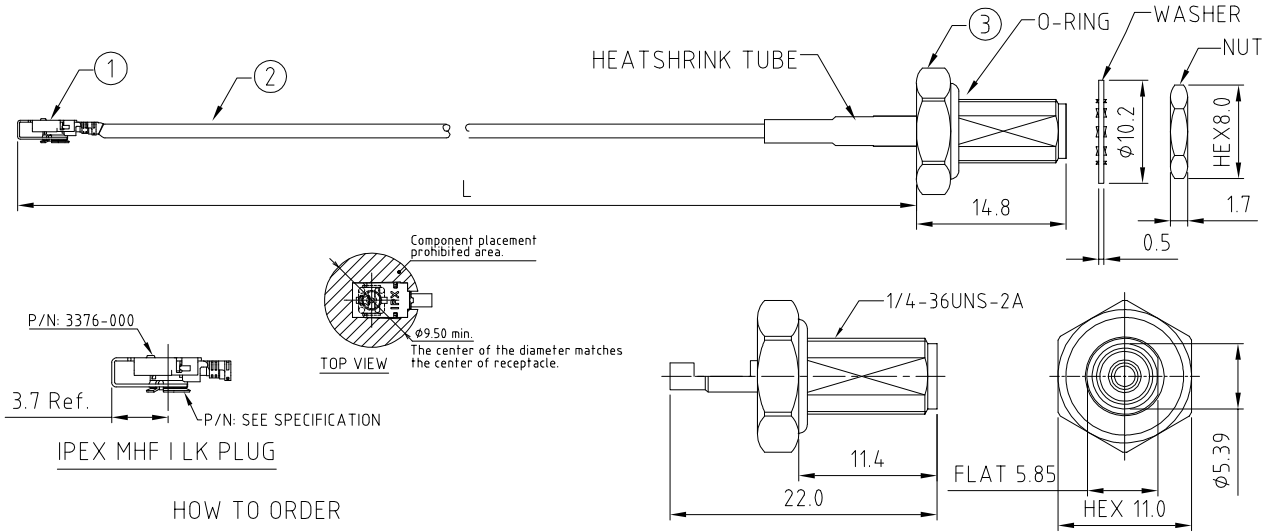
ENVIRONMENTAL:

- BULKHEAD MOUNTED CONNECTOR (RFCT-SMA002-F78) TESTED TO THE FOLLOWING SPECIFICATION:
 - IP6X - DUST TIGHT - NO PARTICLE INGRESS.
 - IPX7 WATERPROOF FOR 30 MINUTES UP TO 1 METER UNDERWATER.
 - IPX8 WATERPROOF FOR 48 HOURS AT 1 METER UNDERWATER.
 - IPX8 WATERPROOF FOR 12 HOURS AT 5 METERS UNDERWATER.
 - PRESSURE TEST - 1 BAR FOR 10 SECONDS.

NOTES:

- THE ORIENTATION OF CONNECTORS ON DRAWING IS FOR REFERENCE ONLY, IF THE ORDER IS LEFT BLANK THE CONNECTOR WILL NOT HAVE FIXED ORIENTATION.
- FIXED ORIENTATION IS SUGGESTED FOR CABLE LENGTH 25MM TO 100MM. PLEASE SPECIFY THE FIXED ORIENTATIONS FROM THE ORDER CODE (F1, F2, ETC)
- CONTACT GRAD CONN IF THE ORIENTATION YOU REQUIRE IS NOT SHOWN.
- WORKING FREQUENCY RANGE: DC-3GHz.
- OPERATING TEMPERATURE: -40°C TO +85°C
- IMPEDANCE: 50 OHM

USAGE PRECAUTIONS: CABLES USING 'MICRO' COAX ARE DELICATE:
 (i) HANDLE WITH CARE.
 (ii) DO NOT TWIST; APPLY EXCESSIVE FORCES OR SHARP BENDS TO THE CABLE. DO NOT FORCEFULLY DEFORM WIRES.
 (iii) CONSULT CONNECTOR MANUFACTURER'S DATASHEETS FOR DETAILED NOTES ON HANDLING INSTRUCTIONS.



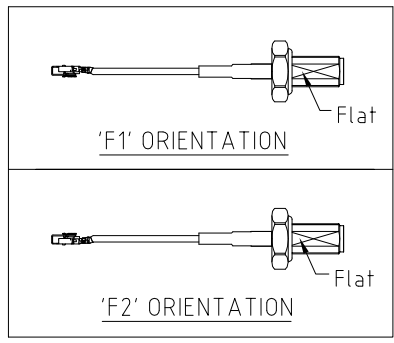
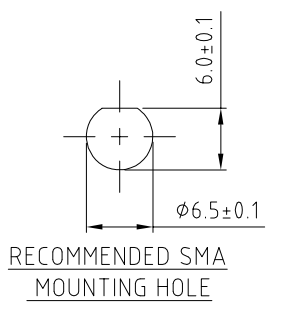
HOW TO ORDER
 CABLE 319 RF - XXX - XX - X - X

"L" LENGTH IN MM:
 eg: 100MM = 100
 (MIN. 025-MAX.400)
 STANDARD = 100, 150, 200
 Tolerance: 50-200mm: $\pm 5\text{mm}$.
 201-400mm: $\pm 7\text{mm}$.

CABLE SIZE:
 1 = $\phi 1.37\text{MM}$ CABLE, COLOR: BLACK (STANDARD)
 2 = $\phi 1.13\text{MM}$ CABLE, COLOR: GRAY
 3 = RG178 CABLE, COLOR: BLACK

WASHER AND NUT OPTIONS:
 BLANK = SEPARATELY PACKED (STANDARD)
 A = ALL ASSEMBLED WITH CONNECTOR

ORIENTATION OPTIONS:
 BLANK = DOES NOT HAVE A FIXED ORIENTATION
 F1 = MHF CONNECTION DOWN (L=25-200MM)
 F2 = MHF CONNECTION UP (L=25-200MM)
 (SEE NOTES 1, 2, 3 AND DIAGRAMS FOR MORE INFORMATION)



REV. DATE & DRN	10 27/07/18 - NYW RELEASE
11 09/01/19 - NYW	ADD 1.13MM CABLE OPTION.
12 22/05/20 - NYW	ADD NOTES 5 & 6.
13 18/06/20 - NYW	ADD MAX OPERATING TEMP.
14 29/09/20 - NYW	ADD MHF I LK PROHIBITED AREA
15 03/12/20 - NYW	UPDATE MHF I LK P/N'S
16 01/02/21 - NYW	ADD CABLE SIZE 3 OPTION.

Scale: NTS	THIRD ANGLE	Unstated Tolerances:
Drawn: NYW		.X N/A .XX N/A .XXX N/A ANGLES N/A
App'd: XXX	Title CABLE ASSEMBLY	
Date: 6 OCT. '21	Revision: 16	Unit: mm

IP67/68 Rated Cables www.gradconn.com

Type: Cable 319 RF
CABLE 319 RF
Drawing Number:
Sheet 1 of 1
Drawing E and O E