

Single Inverter with Open Drain Output

MC74VHC1G05, MC74VHC1GT05

The MC74VHC1G05 / MC74VHC1GT05 is a single inverter with open drain output in tiny footprint packages.

The input structures provide protection when voltages up to 5.5 V are applied, regardless of the supply voltage. This allows the device to be used to interface 5 V circuits to 3 V circuits. Some output structures also provide protection when $V_{CC} = 0$ V and when the output voltage exceeds V_{CC} . These input and output structures help prevent device destruction caused by supply voltage – input/output voltage mismatch, battery backup, hot insertion, etc.

Features

- Designed for 2.0 V to 5.5 V V_{CC} Operation
- 3.5 ns t_{PD} at 5 V (typ)
- Inputs/Outputs Over-Voltage Tolerant up to 5.5 V
- I_{OFF} Supports Partial Power Down Protection
- Source/Sink 8 mA at 3.0 V
- Available in SC-88A, SC-74A, TSOP-5, SOT-553, SOT-953 and UDFN6 Packages
- Chip Complexity < 100 FETs
- NLV Prefix for Automotive and Other Applications Requiring Unique Site and Control Change Requirements; AEC-Q100 Qualified and PPAP Capable
- These Devices are Pb-Free, Halogen Free/BFR Free and are RoHS Compliant

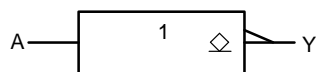

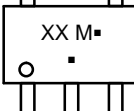

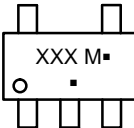
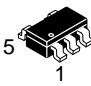
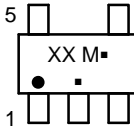
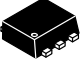
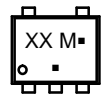

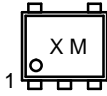



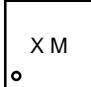


Figure 1. Logic Symbol

MARKING DIAGRAMS

| | | |
|--|------------------------------------|---|
|  | SC-88A DF SUFFIX CASE 419A |  |
|  | SC-74A DBV SUFFIX CASE 318BQ |  |
|  | TSOP-5 DT SUFFIX CASE 483 |  |
|  | SOT-553 XV5 SUFFIX CASE 463B |  |
|  | SOT-953 P5 SUFFIX CASE 527AE |  |
|  | UDFN6 1.45 x 1.0 CASE 517AQ |  |
|  | UDFN6 1.0 x 1.0 CASE 517BX |  |

XX = Specific Device Code
M = Date Code*
▪ = Pb-Free Package

(Note: Microdot may be in either location)

*Date Code orientation and/or position may vary depending upon manufacturing location.

ORDERING INFORMATION

See detailed ordering, marking and shipping information in the package dimensions section on page 7 of this data sheet.

MC74VHC1G05, MC74VHC1GT05

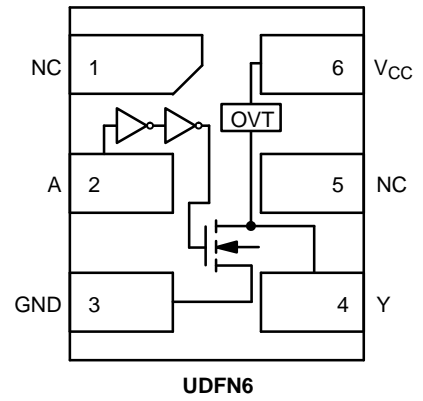
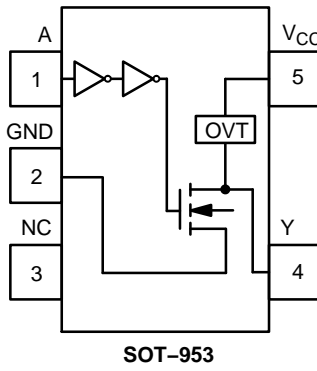
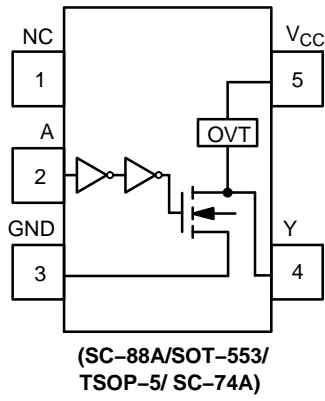


Figure 2. Pinout (Top View)

PIN ASSIGNMENT

(SC-88A/SOT-553/ TSOP-5/SC-74A)

| Pin | Function |
|-----|-----------------|
| 1 | NC |
| 2 | A |
| 3 | GND |
| 4 | Y |
| 5 | V _{CC} |

PIN ASSIGNMENT (SOT-953)

| Pin | Function |
|-----|-----------------|
| 1 | A |
| 2 | GND |
| 3 | NC |
| 4 | Y |
| 5 | V _{CC} |

PIN ASSIGNMENT (UDFN)

| Pin | Function |
|-----|-----------------|
| 1 | NC |
| 2 | A |
| 3 | GND |
| 4 | Y |
| 5 | NC |
| 6 | V _{CC} |

FUNCTION TABLE

| A Input | Y Output |
|---------|----------|
| L | Z |
| H | L |

MC74VHC1G05, MC74VHC1GT05

MAXIMUM RATINGS

| Symbol | Characteristics | | Value | Unit |
|-------------------------------------|--|---|---|---------------------------------|
| V _{CC} | DC Supply Voltage TSOP-5, SC-88A (NLV) SC-74A, SC-88A, UDFN6, SOT-553, SOT-953 | | -0.5 to +7.0 -0.5 to +6.5 | V |
| V _{IN} | DC Input Voltage TSOP-5, SC-88A (NLV) SC-74A, SC-88A, UDFN6, SOT-553, SOT-953 | | -0.5 to +7.0 -0.5 to +6.5 | V |
| V _{OUT} | DC Output Voltage (NLV) | 1Gxx | -0.5 to V _{CC} + 0.5 | V |
| | | 1GTxx | Active-Mode (High or Low State) Tri-State Mode (Note 1) Power-Down Mode (V _{CC} = 0 V) | |
| | DC Output Voltage | Active-Mode (High or Low State) Tri-State Mode (Note 1) Power-Down Mode (V _{CC} = 0 V) | -0.5 to V _{CC} + 0.5 -0.5 to +6.5 -0.5 to +6.5 | V |
| I _{IK} | DC Input Diode Current V _{IN} < GND | | -20 | mA |
| I _{OK} | DC Output Diode Current (NLV) | 1Gxx | V _{OUT} > V _{CC} , V _{OUT} < GND | ±20 |
| | | 1GTxx | V _{OUT} < GND | -20 |
| | DC Output Diode Current V _{OUT} < GND | | -20 | mA |
| I _{OUT} | DC Output Source/Sink Current | | ±25 | mA |
| I _{CC} or I _{GND} | DC Supply Current per Supply Pin or Ground Pin | | ±50 | mA |
| T _{STG} | Storage Temperature Range | | -65 to +150 | °C |
| T _L | Lead Temperature, 1 mm from Case for 10 secs | | 260 | °C |
| T _J | Junction Temperature Under Bias | | +150 | °C |
| θ _{JA} | Thermal Resistance (Note 2) | | SC-88A SC-74A SOT-553 SOT-953 UDFN6 | 377 320 324 254 154 |
| P _D | Power Dissipation in Still Air | | SC-88A SC-74A SOT-553 SOT-953 UDFN6 | 332 390 386 491 812 |
| MSL | Moisture Sensitivity | | Level 1 | - |
| F _R | Flammability Rating Oxygen Index: 28 to 34 | | UL 94 V-0 @ 0.125 in | - |
| V _{ESD} | ESD Withstand Voltage (Note 3) | | Human Body Model Charged Device Model | 2000 1000 |
| I _{Latchup} | Latchup Performance (Note 4) | | ±100 | mA |

Stresses exceeding those listed in the Maximum Ratings table may damage the device. If any of these limits are exceeded, device functionality should not be assumed, damage may occur and reliability may be affected.

1. Applicable to devices with outputs that may be tri-stated.
2. Measured with minimum pad spacing on an FR4 board, using 10mm-by-1inch, 2 ounce copper trace no air flow per JESD51-7.
3. HBM tested to ANSI/ESDA/JEDEC JS-001-2017. CDM tested to EIA/JESD22-C101-F. JEDEC recommends that ESD qualification to EIA/JESD22-A115-A (Machine Model) be discontinued per JEDEC/JEP172A.
4. Tested to EIA/JESD78 Class II.

MC74VHC1G05, MC74VHC1GT05

RECOMMENDED OPERATING CONDITIONS

| Symbol | Characteristics | | Min | Max | Unit | |
|---------------------------------|---|---|---|-----------------|------|-----------------|
| V _{CC} | Positive DC Supply Voltage | | 2.0 | 5.5 | V | |
| V _{IN} | DC Input Voltage | | 0 | 5.5 | V | |
| V _{OUT} | DC Output Voltage (NLV) | 1Gxx | 0 | V _{CC} | V | |
| | | 1GTxx | Active-Mode (High or Low State) | 0 | | V _{CC} |
| | | | Tri-State Mode (Note 1) | 0 | 5.5 | |
| | | | Power-Down Mode (V _{CC} = 0 V) | 0 | 5.5 | |
| DC Output Voltage | | Active-Mode (High or Low State) | 0 | V _{CC} | V | |
| | | Tri-State Mode (Note 1) | 0 | 5.5 | | |
| | | Power-Down Mode (V _{CC} = 0 V) | 0 | 5.5 | | |
| T _A | Operating Temperature Range | | -55 | +125 | °C | |
| t _r , t _f | Input Rise and Fall Time | TSOP-5, SC-88A (NLV) | | | ns/V | |
| | | V _{CC} = 3.0 V to 3.6 V | 0 | 100 | | |
| | V _{CC} = 4.5 V to 5.5 V | 0 | 20 | | | |
| | SC-74A, SC-88A, UDFN6, SOT-553, SOT-953 | | | | | |
| Input Rise and Fall Time | SC-74A, SC-88A, UDFN6, SOT-553, SOT-953 | V _{CC} = 2.0 V | 0 | 20 | | |
| | | V _{CC} = 2.3 V to 2.7 V | 0 | 20 | | |
| | | V _{CC} = 3.0 V to 3.6 V | 0 | 10 | | |
| | | V _{CC} = 4.5 V to 5.5 V | 0 | 5 | | |

Functional operation above the stresses listed in the Recommended Operating Ranges is not implied. Extended exposure to stresses beyond the Recommended Operating Ranges limits may affect device reliability.

DC ELECTRICAL CHARACTERISTICS (MC74VHC1G05)

| Symbol | Parameter | Test Conditions | V _{CC} (V) | T _A = 25°C | | | -40°C ≤ T _A ≤ 85°C | | -55°C ≤ T _A ≤ 125°C | | Unit | |
|------------------|---------------------------------|---|------------------------|-----------------------|-----|-------|-------------------------------|------|--------------------------------|------|------|------|
| | | | | Min | Typ | Max | Min | Max | Min | Max | | |
| V _{IH} | High-Level Input Voltage | | 2.0 | 1.5 | - | - | 1.5 | - | 1.5 | - | V | |
| | | | 3.0 | 2.1 | - | - | 2.1 | - | 2.1 | - | | |
| | | | 4.5 | 3.15 | - | - | 3.15 | - | 3.15 | - | | |
| | | | 5.5 | 3.85 | - | - | 3.85 | - | 3.85 | - | | |
| V _{IL} | Low-Level Input Voltage | | 2.0 | - | - | 0.5 | - | 0.5 | - | 0.5 | V | |
| | | | 3.0 | - | - | 0.9 | - | 0.9 | - | 0.9 | | |
| | | | 4.5 | - | - | 1.35 | - | 1.35 | - | 1.35 | | |
| | | | 5.5 | - | - | 1.65 | - | 1.65 | - | 1.65 | | |
| V _{OL} | Low-Level Output Voltage | V _{IN} = V _{IH} or V _{IL} I _{OL} = 50 μA | 2.0 | - | 0.0 | 0.1 | - | 0.1 | - | 0.1 | V | |
| | | | 3.0 | - | 0.0 | 0.1 | - | 0.1 | - | 0.1 | | |
| | | | 4.5 | - | 0.0 | 0.1 | - | 0.1 | - | 0.1 | | |
| | | | I _{OL} = 4 mA | 3.0 | - | - | 0.36 | - | 0.44 | - | | 0.52 |
| | | | I _{OL} = 8 mA | 4.5 | - | - | 0.36 | - | 0.44 | - | | 0.52 |
| I _{IN} | Input Leakage Current | V _{IN} = 5.5 V or GND | 2.0 to 5.5 | - | - | ±0.1 | - | ±1.0 | - | ±1.0 | μA | |
| I _{OZ} | 3-State Output Leakage Current | V _{OUT} = 0 V to 5.5 V | 5.5 | - | - | ±0.25 | - | ±2.5 | - | ±2.5 | μA | |
| I _{OFF} | Power Off Leakage Current (NLV) | V _{IN} = 5.5 V | 0.0 | - | - | 1.0 | - | 10 | - | 10 | μA | |
| | Power Off Leakage Current | V _{IN} = 5.5 V or V _{OUT} = 5.5 V | 0.0 | - | - | 1.0 | - | 10 | - | 10 | μA | |
| I _{CC} | Quiescent Supply Current | V _{IN} = V _{CC} or GND | 5.5 | - | - | 1.0 | - | 20 | - | 40 | μA | |

MC74VHC1G05, MC74VHC1GT05

DC ELECTRICAL CHARACTERISTICS (MC74VHC1GT05)

| Symbol | Parameter | Test Conditions | V _{CC} (V) | T _A = 25°C | | | -40°C ≤ T _A ≤ 85°C | | -55°C ≤ T _A ≤ 125°C | | Unit | |
|------------------|--|---|-------------------------|-----------------------|-----|-------|-------------------------------|------|--------------------------------|------|------|------|
| | | | | Min | Typ | Max | Min | Max | Min | Max | | |
| V _{IH} | High-Level Input Voltage | | 2.0 | 1.0 | - | - | 1.0 | - | 1.0 | - | V | |
| | | | 3.0 | 1.4 | - | - | 1.4 | - | 1.4 | - | | |
| | | | 4.5 | 2.0 | - | - | 2.0 | - | 2.0 | - | | |
| | | | 5.5 | 2.0 | - | - | 2.0 | - | 2.0 | - | | |
| V _{IL} | Low-Level Input Voltage | | 2.0 | - | - | 0.28 | - | 0.28 | - | 0.28 | V | |
| | | | 3.0 | - | - | 0.45 | - | 0.45 | - | 0.45 | | |
| | | | 4.5 | - | - | 0.8 | - | 0.8 | - | 0.8 | | |
| | | | 5.5 | - | - | 0.8 | - | 0.8 | - | 0.8 | | |
| V _{OL} | Low-Level Output Voltage | V _{IN} = V _{IH} or V _{IL} I _{OL} = 50 μA | 2.0 | - | 0.0 | 0.1 | - | 0.1 | - | 0.1 | V | |
| | | | 3.0 | - | 0.0 | 0.1 | - | 0.1 | - | 0.1 | | |
| | | | 4.5 | - | 0.0 | 0.1 | - | 0.1 | - | 0.1 | | |
| | | | I _{OL} = 50 μA | 3.0 | - | - | 0.36 | - | 0.44 | - | | 0.52 |
| | | | I _{OL} = 8 mA | 4.5 | - | - | 0.36 | - | 0.44 | - | | 0.52 |
| I _{IN} | Input Leakage Current | V _{IN} = 5.5 V or GND | 2.0 to 5.5 | - | - | ±0.1 | - | ±1.0 | - | ±1.0 | μA | |
| I _{OZ} | 3-State Output Leakage Current | V _{OUT} = 0 V to 5.5 V | 5.5 | - | - | ±0.25 | - | ±2.5 | - | ±2.5 | μA | |
| I _{OFF} | Power Off Leakage Current | V _{IN} = 5.5 V or V _{OUT} = 5.5 V | 0 | - | - | 1.0 | - | 10 | - | 10 | μA | |
| I _{CC} | Quiescent Supply Current | V _{IN} = V _{CC} or GND | 5.5 | - | - | 1.0 | - | 20 | - | 40 | μA | |
| I _{CCT} | Increase in Quiescent Supply Current per Input Pin | One Input: V _{IN} = 3.4 V; Other Input at V _{CC} or GND | 5.5 | - | - | 1.35 | - | 1.5 | - | 1.65 | mA | |

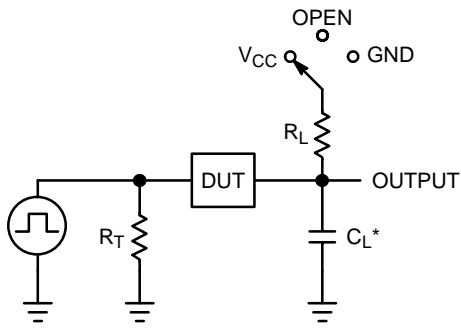
AC ELECTRICAL CHARACTERISTICS

| Symbol | Parameter | Conditions | V _{CC} (V) | T _A = 25°C | | | -40°C ≤ T _A ≤ 85°C | | -55°C ≤ T _A ≤ 125°C | | Unit |
|------------------|---|--------------------------------|---------------------|-----------------------|-----|------|-------------------------------|------|--------------------------------|-------|------|
| | | | | Min | Typ | Max | Min | Max | Min | Max | |
| t _{PZL} | Propagation Delay, A to Y (Figures 3 and 4) | C _L = 15 pF | 3.0 to 3.6 | - | 5.0 | 7.1 | - | 8.5 | - | 10.0 | ns |
| | | C _L = 50 pF | | - | 7.5 | 10.6 | - | 12.0 | - | 14.5 | |
| | | C _L = 15 pF | 4.5 to 5.5 | - | 3.8 | 5.5 | - | 6.5 | - | 8.0 | |
| | | C _L = 50 pF | | - | 5.3 | 7.5 | - | 8.5 | - | 10.0 | |
| t _{PLZ} | Propagation Delay, A to Y (Figures 3 and 4) | C _L = 15 pF | 3.0 to 3.6 | - | 6.5 | 9.7 | - | 11.5 | - | 12.55 | ns |
| | | C _L = 50 pF | | - | 7.5 | 10.6 | - | 12.0 | - | 14.5 | |
| | | C _L = 15 pF | 4.5 to 5.5 | - | 4.8 | 6.8 | - | 8.0 | - | 9.0 | |
| | | C _L = 50 pF | | - | 5.3 | 7.5 | - | 8.5 | - | 10.0 | |
| C _{IN} | Input Capacitance | | | - | 4.0 | 10 | - | 10 | - | 10 | pF |
| C _{OUT} | Output Capacitance | Output in High Impedance State | | - | 6.0 | - | - | - | - | - | pF |

| | | | |
|-----------------|--|---|----|
| C _{PD} | Power Dissipation Capacitance (Note 5) | Typical @ 25°C, V_{CC} = 5.0 V | pF |
| | | 8.0 | |

5. C_{PD} is defined as the value of the internal equivalent capacitance which is calculated from the operating current consumption without load. Average operating current can be obtained by the equation: I_{CC(OPR)} = C_{PD} • V_{CC} • f_{in} + I_{CC}. C_{PD} is used to determine the no-load dynamic power consumption; P_D = C_{PD} • V_{CC}² • f_{in} + I_{CC} • V_{CC}.

MC74VHC1G05, MC74VHC1GT05



C_L includes probe and jig capacitance
 R_T is Z_{OUT} of pulse generator (typically 50 Ω)
 $f = 1$ MHz

Figure 3. Test Circuit

| Test | Switch Position | C_L , pF | R_L , Ω |
|---------------------|-----------------|------------------------------|------------------|
| t_{PLH} / t_{PHL} | Open | See AC Characteristics Table | X |
| t_{PLZ} / t_{PZL} | V_{CC} | | 1 k |
| t_{PHZ} / t_{PZH} | GND | | 1 k |

X = Don't Care

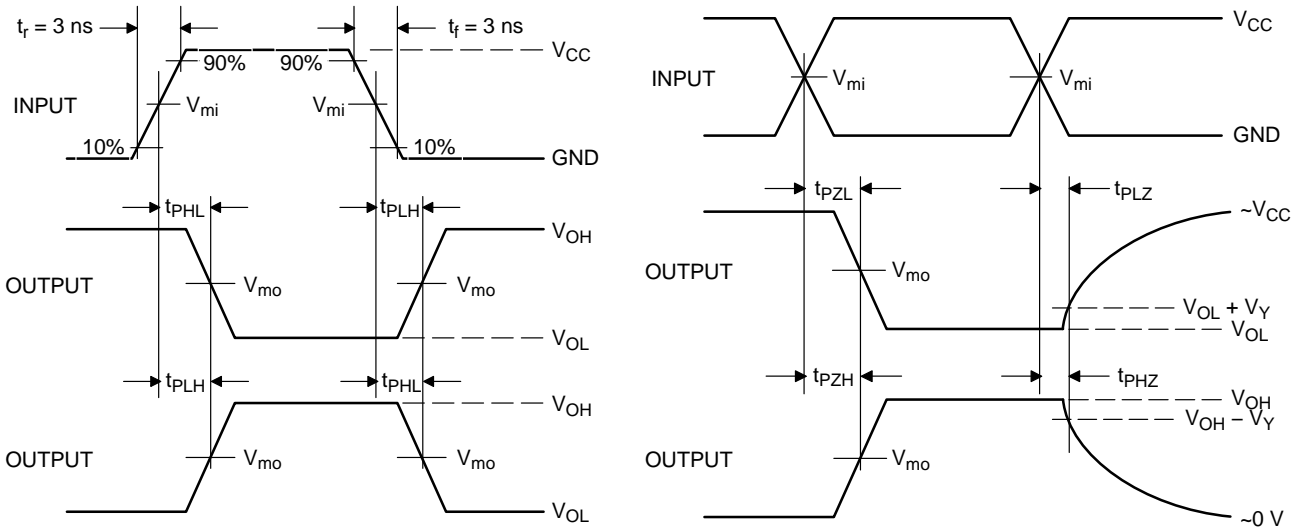


Figure 4. Switching Waveforms

| V_{CC} , V | V_{mi} , V | V_{mo} , V | | V_Y , V |
|--------------|--------------|-----------------------|---|-----------|
| | | t_{PLH} , t_{PHL} | t_{PZL} , t_{PLZ} , t_{PZH} , t_{PHZ} | |
| 3.0 to 3.6 | $V_{CC}/2$ | $V_{CC}/2$ | $V_{CC}/2$ | 0.3 |
| 4.5 to 5.5 | $V_{CC}/2$ | $V_{CC}/2$ | $V_{CC}/2$ | 0.3 |

MC74VHC1G05, MC74VHC1GT05

ORDERING INFORMATION

| Device | Packages | Specific Device Code | Pin 1 Orientation (See below) | Shipping† |
|--|----------------------------|----------------------|----------------------------------|--------------------|
| MC74VHC1G05DFT1G | SC-88A | VF | Q2 | 3000 / Tape & Reel |
| MC74VHC1G05DFT2G | SC-88A | VF | Q4 | 3000 / Tape & Reel |
| MC74VHC1G05DFT2G-L22038** | SC-88A | VF | Q4 | 3000 / Tape & Reel |
| NLVVHC1G05DFT1G* | SC-88A | VF | Q2 | 3000 / Tape & Reel |
| NLVVHC1G05DFT2G* | SC-88A | VF | Q4 | 3000 / Tape & Reel |
| MC74VHC1GT05DFT1G (In Development) | SC-88A | TBD | Q4 | 3000 / Tape & Reel |
| MC74VHC1GT05DFT2G (In Development) | SC-88A | TBD | Q2 | 3000 / Tape & Reel |
| MC74VHC1G05DBVT1G | SC-74A | VF | Q4 | 3000 / Tape & Reel |
| MC74VHC1GT05DBVT1G (In Development) | SC-74A | TBD | Q4 | 3000 / Tape & Reel |
| MC74VHC1G05DTT1G** | TSOP-5 | VF | Q4 | 3000 / Tape & Reel |
| MC74VHC1GT05DTT1G (In Development) | TSOP-5 | TBD | Q4 | 3000 / Tape & Reel |
| MC74VHC1G05XV5T2G (In Development) | SOT-553 | TBD | Q4 | 4000 / Tape & Reel |
| MC74VHC1GT05XV5T2G (In Development) | SOT-553 | TBD | Q4 | 4000 / Tape & Reel |
| MC74VHC1G05P5T5G (In Development) | SOT-953 | TBD | Q2 | 8000 / Tape & Reel |
| MC74VHC1GT05P5T5G (In Development) | SOT-953 | TBD | Q2 | 8000 / Tape & Reel |
| MC74VHC1G05MU1TCG (In Development) | UDFN6, 1.45 x 1.0, 0.5P | TBD | Q4 | 3000 / Tape & Reel |
| MC74VHC1GT05MU1TCG (In Development) | UDFN6, 1.45 x 1.0, 0.5P | TBD | Q4 | 3000 / Tape & Reel |
| MC74VHC1G05MU3TCG (In Development) | UDFN6, 1.0 x 1.0, 0.35P | TBD | Q4 | 3000 / Tape & Reel |
| MC74VHC1GT05MU3TCG (In Development) | UDFN6, 1.0 x 1.0, 0.35P | TBD | Q4 | 3000 / Tape & Reel |

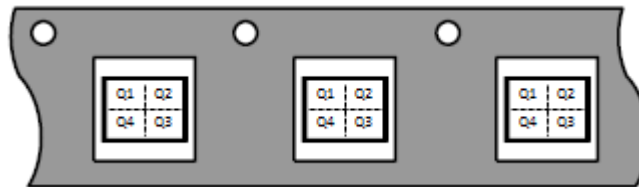
†For information on tape and reel specifications, including part orientation and tape sizes, please refer to our Tape and Reel Packaging Specifications Brochure, BRD8011/D.

*NLV Prefix for Automotive and Other Applications Requiring Unique Site and Control Change Requirements; AEC-Q100 Qualified and PPAP Capable.

**Please refer to NLV specifications for this device.

Pin 1 Orientation in Tape and Reel

Direction of Feed



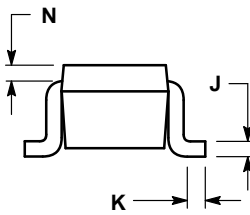
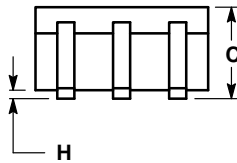
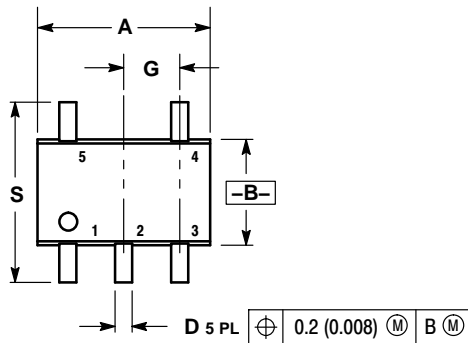
MC74VHC1G05, MC74VHC1GT05

PACKAGE DIMENSIONS

SC-88A (SC-70-5/SOT-353)

CASE 419A-02

ISSUE L

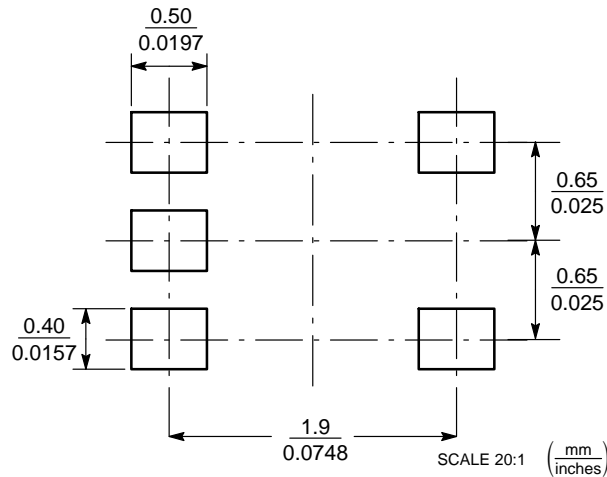


NOTES:

1. DIMENSIONING AND TOLERANCING PER ANSI Y14.5M, 1982.
2. CONTROLLING DIMENSION: INCH.
3. 419A-01 OBSOLETE. NEW STANDARD 419A-02.
4. DIMENSIONS A AND B DO NOT INCLUDE MOLD FLASH, PROTRUSIONS, OR GATE BURRS.

| DIM | INCHES | | MILLIMETERS | |
|-----|-----------|-------|-------------|------|
| | MIN | MAX | MIN | MAX |
| A | 0.071 | 0.087 | 1.80 | 2.20 |
| B | 0.045 | 0.053 | 1.15 | 1.35 |
| C | 0.031 | 0.043 | 0.80 | 1.10 |
| D | 0.004 | 0.012 | 0.10 | 0.30 |
| G | 0.026 BSC | | 0.65 BSC | |
| H | --- | 0.004 | --- | 0.10 |
| J | 0.004 | 0.010 | 0.10 | 0.25 |
| K | 0.004 | 0.012 | 0.10 | 0.30 |
| N | 0.008 REF | | 0.20 REF | |
| S | 0.079 | 0.087 | 2.00 | 2.20 |

SOLDER FOOTPRINT*

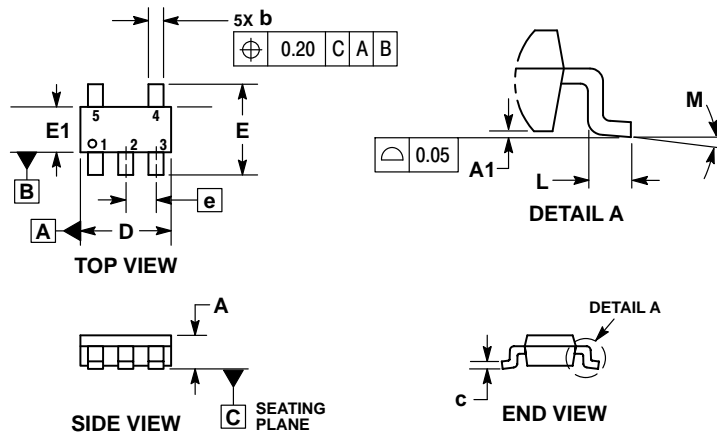


*For additional information on our Pb-Free strategy and soldering details, please download the **onsemi** Soldering and Mounting Techniques Reference Manual, SOLDERRM/D.

MC74VHC1G05, MC74VHC1GT05

PACKAGE DIMENSIONS

SC-74A
CASE 318BQ
ISSUE B

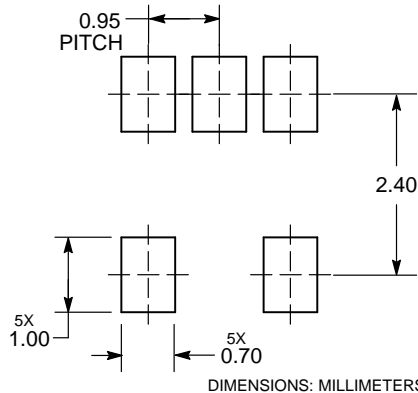


NOTES:

1. DIMENSIONING AND TOLERANCING PER ASME Y14.5M, 1994.
2. CONTROLLING DIMENSION: MILLIMETERS.
3. MAXIMUM LEAD THICKNESS INCLUDES LEAD FINISH THICKNESS. MINIMUM LEAD THICKNESS IS THE MINIMUM THICKNESS OF BASE MATERIAL.
4. DIMENSIONS A AND B DO NOT INCLUDE MOLD FLASH, PROTRUSIONS, OR GATE BURRS. MOLD FLASH, PROTRUSIONS, OR GATE BURRS SHALL NOT EXCEED 0.15 PER SIDE.

| DIM | MILLIMETERS | |
|-----|-------------|------|
| | MIN | MAX |
| A | 0.90 | 1.10 |
| A1 | 0.01 | 0.10 |
| b | 0.25 | 0.50 |
| c | 0.10 | 0.26 |
| D | 2.85 | 3.15 |
| E | 2.50 | 3.00 |
| E1 | 1.35 | 1.65 |
| e | 0.95 BSC | |
| L | 0.20 | 0.60 |
| M | 0° | 10° |

**RECOMMENDED
SOLDERING FOOTPRINT***

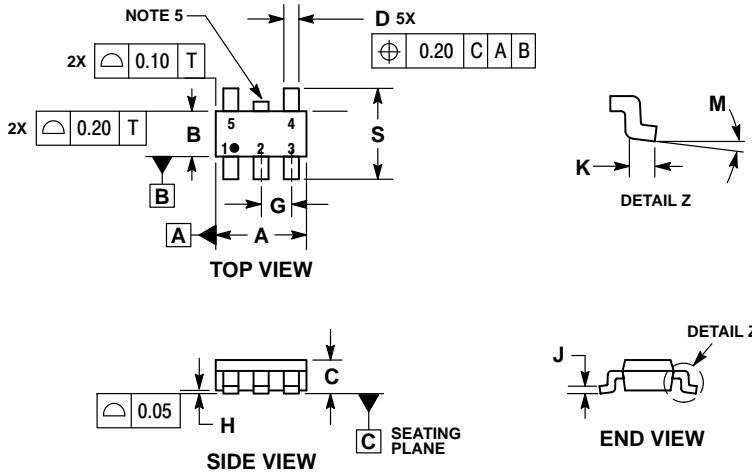


*For additional information on our Pb-Free strategy and soldering details, please download the **onsemi** Soldering and Mounting Techniques Reference Manual, SOLDERRM/D.

MC74VHC1G05, MC74VHC1GT05

PACKAGE DIMENSIONS

TSOP-5
CASE 483-02
ISSUE N

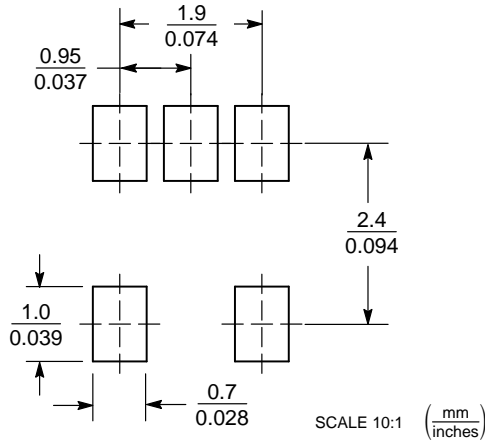


NOTES:

1. DIMENSIONING AND TOLERANCING PER ASME Y14.5M, 1994.
2. CONTROLLING DIMENSION: MILLIMETERS.
3. MAXIMUM LEAD THICKNESS INCLUDES LEAD FINISH THICKNESS. MINIMUM LEAD THICKNESS IS THE MINIMUM THICKNESS OF BASE MATERIAL.
4. DIMENSIONS A AND B DO NOT INCLUDE MOLD FLASH, PROTRUSIONS, OR GATE BURRS. MOLD FLASH, PROTRUSIONS, OR GATE BURRS SHALL NOT EXCEED 0.15 PER SIDE. DIMENSION A.
5. OPTIONAL CONSTRUCTION: AN ADDITIONAL TRIMMED LEAD IS ALLOWED IN THIS LOCATION. TRIMMED LEAD NOT TO EXTEND MORE THAN 0.2 FROM BODY.

| DIM | MILLIMETERS | |
|-----|-------------|------|
| | MIN | MAX |
| A | 2.85 | 3.15 |
| B | 1.35 | 1.65 |
| C | 0.90 | 1.10 |
| D | 0.25 | 0.50 |
| G | 0.95 BSC | |
| H | 0.01 | 0.10 |
| J | 0.10 | 0.26 |
| K | 0.20 | 0.60 |
| M | 0° 10° | |
| S | 2.50 | 3.00 |

SOLDERING FOOTPRINT*

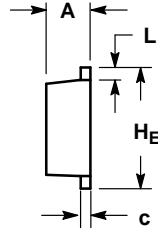
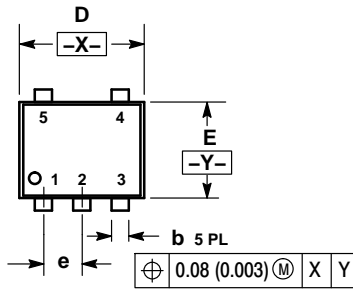


*For additional information on our Pb-Free strategy and soldering details, please download the **onsemi** Soldering and Mounting Techniques Reference Manual, SOLDERRM/D.

MC74VHC1G05, MC74VHC1GT05

PACKAGE DIMENSIONS

SOT-553, 5 LEAD CASE 463B ISSUE C

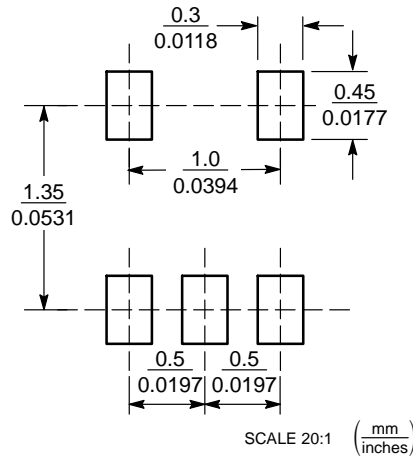


NOTES:

1. DIMENSIONING AND TOLERANCING PER ANSI Y14.5M, 1982.
2. CONTROLLING DIMENSION: MILLIMETERS
3. MAXIMUM LEAD THICKNESS INCLUDES LEAD FINISH THICKNESS. MINIMUM LEAD THICKNESS IS THE MINIMUM THICKNESS OF BASE MATERIAL.

| DIM | MILLIMETERS | | | INCHES | | |
|----------------|-------------|------|------|-----------|-------|-------|
| | MIN | NOM | MAX | MIN | NOM | MAX |
| A | 0.50 | 0.55 | 0.60 | 0.020 | 0.022 | 0.024 |
| b | 0.17 | 0.22 | 0.27 | 0.007 | 0.009 | 0.011 |
| c | 0.08 | 0.13 | 0.18 | 0.003 | 0.005 | 0.007 |
| D | 1.55 | 1.60 | 1.65 | 0.061 | 0.063 | 0.065 |
| E | 1.15 | 1.20 | 1.25 | 0.045 | 0.047 | 0.049 |
| e | 0.50 BSC | | | 0.020 BSC | | |
| L | 0.10 | 0.20 | 0.30 | 0.004 | 0.008 | 0.012 |
| H _E | 1.55 | 1.60 | 1.65 | 0.061 | 0.063 | 0.065 |

SOLDERING FOOTPRINT*

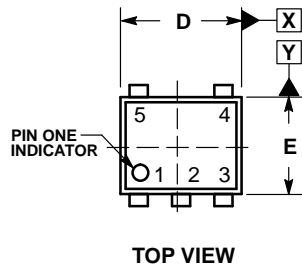


*For additional information on our Pb-Free strategy and soldering details, please download the **onsemi** Soldering and Mounting Techniques Reference Manual, SOLDERRM/D.

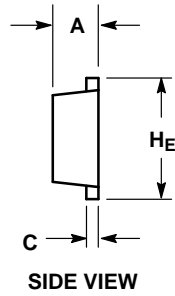
MC74VHC1G05, MC74VHC1GT05

PACKAGE DIMENSIONS

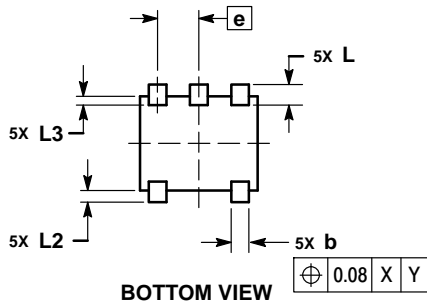
SOT-953
CASE 527AE
ISSUE E



TOP VIEW



SIDE VIEW



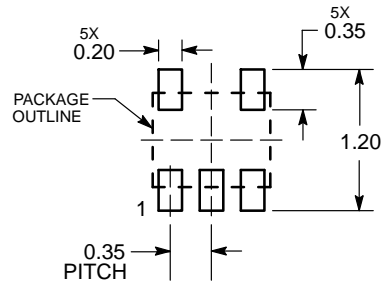
BOTTOM VIEW

NOTES:

1. DIMENSIONING AND TOLERANCING PER ASME Y14.5M, 1994.
2. CONTROLLING DIMENSION: MILLIMETERS
3. MAXIMUM LEAD THICKNESS INCLUDES LEAD FINISH. MINIMUM LEAD THICKNESS IS THE MINIMUM THICKNESS OF THE BASE MATERIAL.
4. DIMENSIONS D AND E DO NOT INCLUDE MOLD FLASH, PROTRUSIONS, OR GATE BURRS.

| MILLIMETERS | | | |
|----------------|-----------|------|------|
| DIM | MIN | NOM | MAX |
| A | 0.34 | 0.37 | 0.40 |
| b | 0.10 | 0.15 | 0.20 |
| C | 0.07 | 0.12 | 0.17 |
| D | 0.95 | 1.00 | 1.05 |
| E | 0.75 | 0.80 | 0.85 |
| e | 0.35 BSC | | |
| H _E | 0.95 | 1.00 | 1.05 |
| L | 0.175 REF | | |
| L2 | 0.05 | 0.10 | 0.15 |
| L3 | --- | --- | 0.15 |

SOLDERING FOOTPRINT*



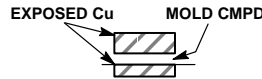
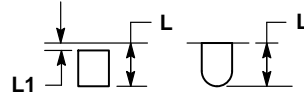
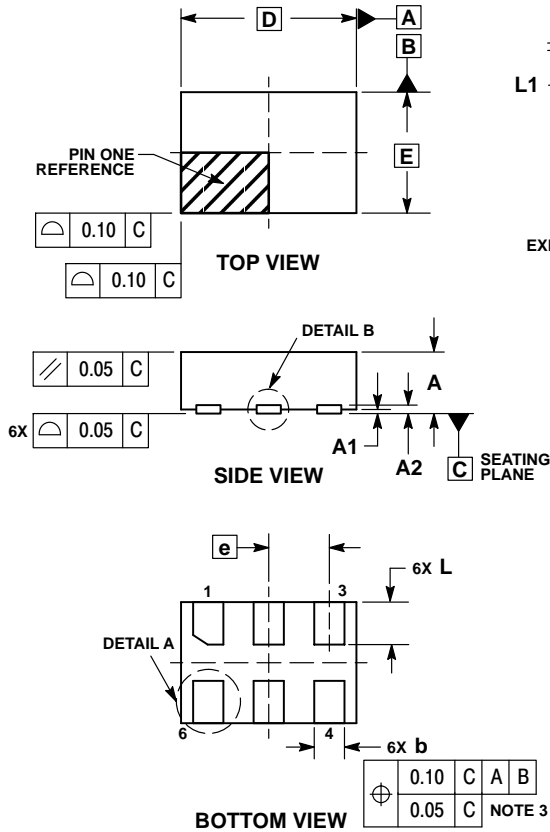
DIMENSIONS: MILLIMETERS

*For additional information on our Pb-Free strategy and soldering details, please download the **onsemi** Soldering and Mounting Techniques Reference Manual, SOLDERRM/D.

MC74VHC1G05, MC74VHC1GT05

PACKAGE DIMENSIONS

UDFN6, 1.45x1.0, 0.5P
CASE 517AQ
ISSUE O

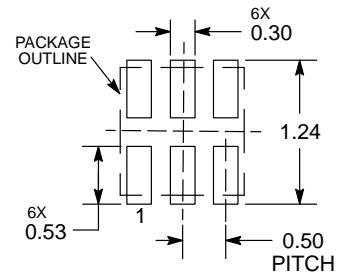


NOTES:

1. DIMENSIONING AND TOLERANCING PER ASME Y14.5M, 1994.
2. CONTROLLING DIMENSION: MILLIMETERS.
3. DIMENSION b APPLIES TO PLATED TERMINAL AND IS MEASURED BETWEEN 0.15 AND 0.30 mm FROM THE TERMINAL TIP.

| MILLIMETERS | | |
|-------------|------|------|
| DIM | MIN | MAX |
| A | 0.45 | 0.55 |
| A1 | 0.00 | 0.05 |
| A2 | 0.07 | REF |
| b | 0.20 | 0.30 |
| D | 1.45 | BSC |
| E | 1.00 | BSC |
| e | 0.50 | BSC |
| L | 0.30 | 0.40 |
| L1 | — | 0.15 |

MOUNTING FOOTPRINT



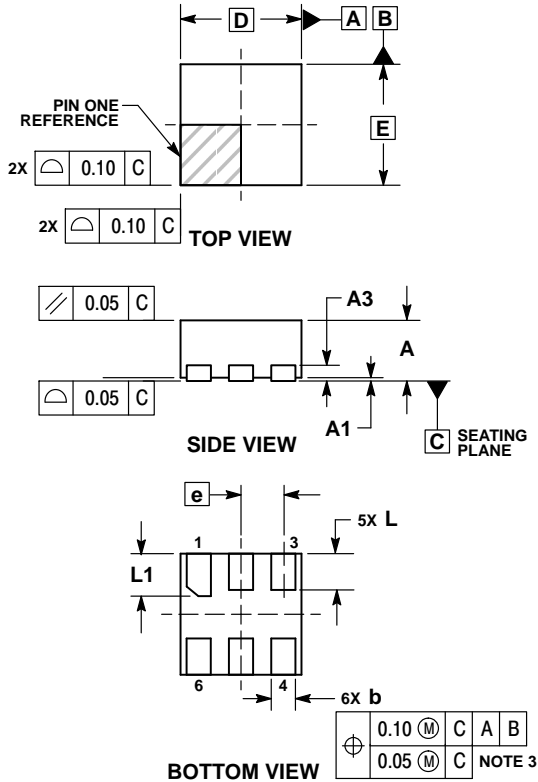
DIMENSIONS: MILLIMETERS

*For additional information on our Pb-Free strategy and soldering details, please download the **onsemi** Soldering and Mounting Techniques Reference Manual, SOLDERRM/D.

MC74VHC1G05, MC74VHC1GT05

PACKAGE DIMENSIONS

UDFN6, 1x1, 0.35P
CASE 517BX
ISSUE O

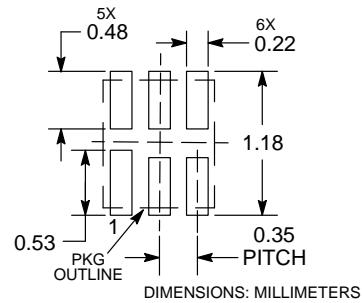


NOTES:

1. DIMENSIONING AND TOLERANCING PER ASME Y14.5M, 1994.
2. CONTROLLING DIMENSION: MILLIMETERS.
3. DIMENSION b APPLIES TO PLATED TERMINAL AND IS MEASURED BETWEEN 0.15 AND 0.20 MM FROM TERMINAL TIP.
4. PACKAGE DIMENSIONS EXCLUSIVE OF BURRS AND MOLD FLASH.

| MILLIMETERS | | |
|-------------|----------|------|
| DIM | MIN | MAX |
| A | 0.45 | 0.55 |
| A1 | 0.00 | 0.05 |
| A3 | 0.13 REF | |
| b | 0.12 | 0.22 |
| D | 1.00 BSC | |
| E | 1.00 BSC | |
| e | 0.35 BSC | |
| L | 0.25 | 0.35 |
| L1 | 0.30 | 0.40 |

RECOMMENDED SOLDERING FOOTPRINT*



*For additional information on our Pb-Free strategy and soldering details, please download the **onsemi** Soldering and Mounting Techniques Reference Manual, SOLDERRM/D.

onsemi, **Onsemi**, and other names, marks, and brands are registered and/or common law trademarks of Semiconductor Components Industries, LLC dba "**onsemi**" or its affiliates and/or subsidiaries in the United States and/or other countries. **onsemi** owns the rights to a number of patents, trademarks, copyrights, trade secrets, and other intellectual property. A listing of **onsemi**'s product/patent coverage may be accessed at www.onsemi.com/site/pdf/Patent-Marking.pdf. **onsemi** reserves the right to make changes at any time to any products or information herein, without notice. The information herein is provided "as-is" and **onsemi** makes no warranty, representation or guarantee regarding the accuracy of the information, product features, availability, functionality, or suitability of its products for any particular purpose, nor does **onsemi** assume any liability arising out of the application or use of any product or circuit, and specifically disclaims any and all liability, including without limitation special, consequential or incidental damages. Buyer is responsible for its products and applications using **onsemi** products, including compliance with all laws, regulations and safety requirements or standards, regardless of any support or applications information provided by **onsemi**. "Typical" parameters which may be provided in **onsemi** data sheets and/or specifications can and do vary in different applications and actual performance may vary over time. All operating parameters, including "Typicals" must be validated for each customer application by customer's technical experts. **onsemi** does not convey any license under any of its intellectual property rights nor the rights of others. **onsemi** products are not designed, intended, or authorized for use as a critical component in life support systems or any FDA Class 3 medical devices or medical devices with a same or similar classification in a foreign jurisdiction or any devices intended for implantation in the human body. Should Buyer purchase or use **onsemi** products for any such unintended or unauthorized application, Buyer shall indemnify and hold **onsemi** and its officers, employees, subsidiaries, affiliates, and distributors harmless against all claims, costs, damages, and expenses, and reasonable attorney fees arising out of, directly or indirectly, any claim of personal injury or death associated with such unintended or unauthorized use, even if such claim alleges that **onsemi** was negligent regarding the design or manufacture of the part. **onsemi** is an Equal Opportunity/Affirmative Action Employer. This literature is subject to all applicable copyright laws and is not for resale in any manner.

PUBLICATION ORDERING INFORMATION

LITERATURE FULFILLMENT:
Email Requests to: orderlit@onsemi.com

onsemi Website: www.onsemi.com

TECHNICAL SUPPORT
North American Technical Support:
Voice Mail: 1 800-282-9855 Toll Free USA/Canada
Phone: 011 421 33 790 2910

Europe, Middle East and Africa Technical Support:
Phone: 00421 33 790 2910
For additional information, please contact your local Sales Representative