

THIS DRAWING IS UNPUBLISHED.

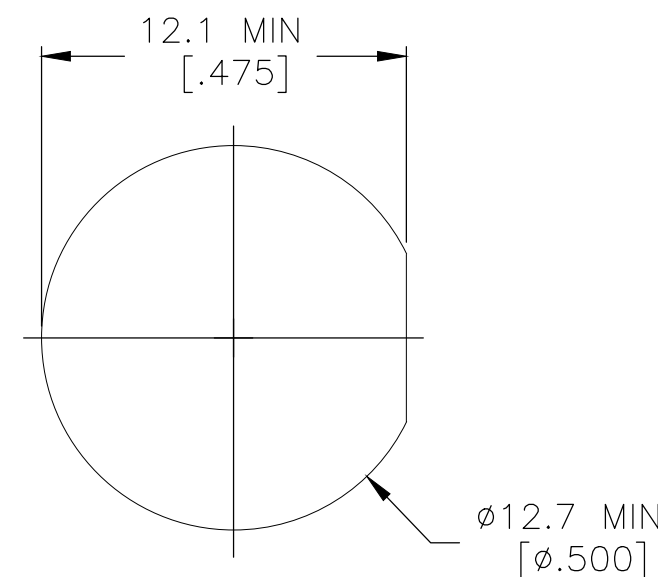
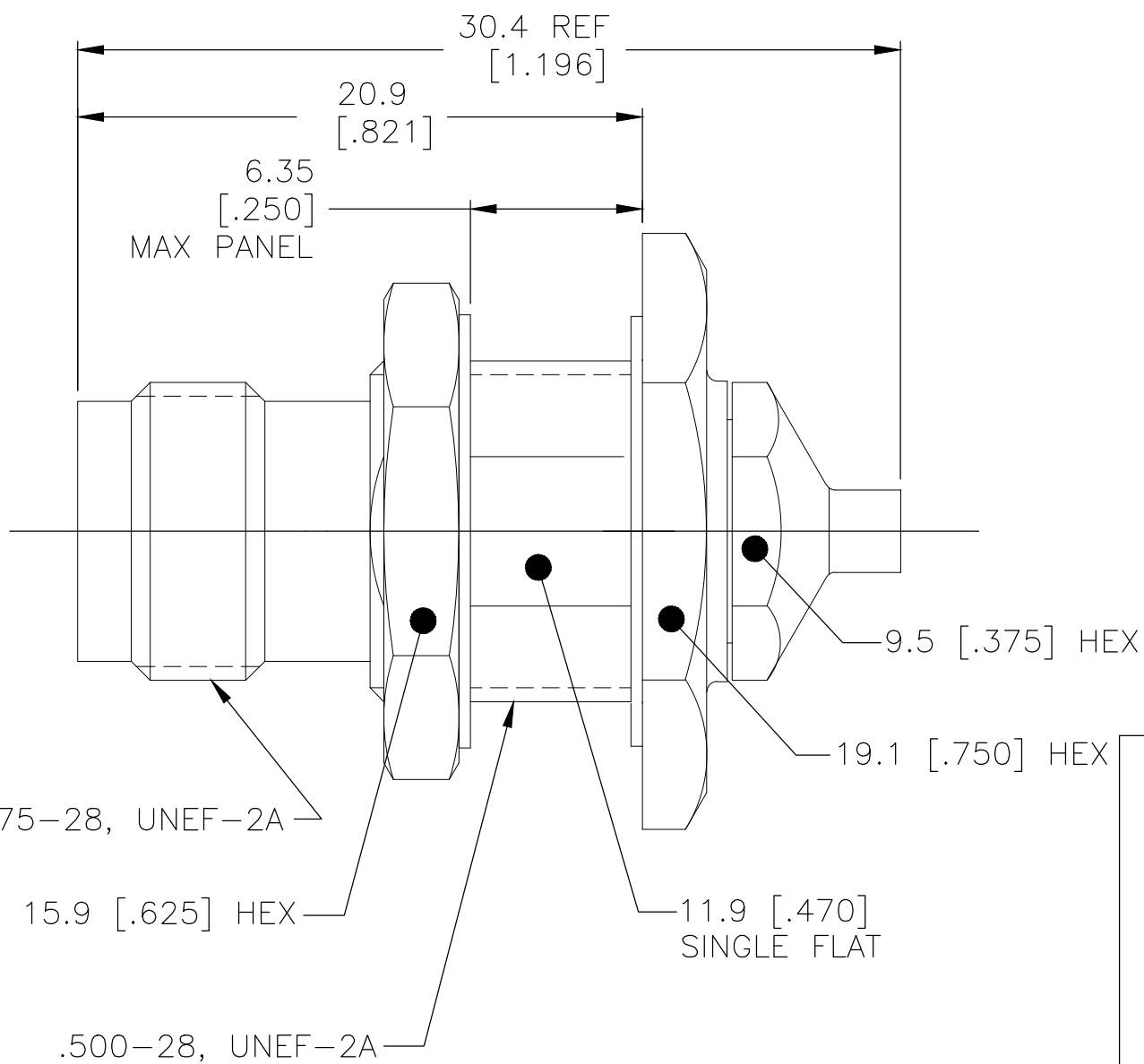
RELEASED FOR PUBLICATION

REVISIONS

© COPYRIGHT - TE Connectivity Ltd.

ALL RIGHTS RESERVED.

P	LTR	DESCRIPTION	DATE	DWN	APVD
	A2	REVISED PER ECR-19-002313	13FEB2019	ED	RS



.4375-28, UNEF-2A
 15.9 [.625] HEX
 .500-28, UNEF-2A

11.9 [.470] SINGLE FLAT

19.1 [.750] HEX

1. SEE INSTRUCTION SHEET 408-8205.

COMPONENT	MATERIAL	FINISH
REAR HOUSING MOUNTING NUT LOCKWASHER	STAINLESS STEEL PER ASTM-A484 AND ASTM-A582	PASSIVATE PER QQ-P-35
FRONT HOUSING	BRASS PER ASTM-B-16	GOLD PLATE PER ASTM-B488
DIELECTRIC	TFE FLUOROCARBON PER ASTM-D-1710	N/A
CENTER CONTACT	BERYLLIUM COPPER PER ASTM-B-196 OR ASTM-B-197	GOLD PLATE PER ASTM-B488 N/A
GASKET	SILICONE RUBBER PER ZZ-R-765	

DESIGNED FOR USE WITH .141" S.R.	
CABLE ENTRY DIAMETER MINIMUM	
HOUSING	3.61 [.142]
CONTACT	1.07 [.042]

THIS DRAWING IS A CONTROLLED DOCUMENT.		DWN R.M.K. 3/5/70	TE Connectivity														
DIMENSIONS: mm [INCHES]		CHK B.W.C. 6/29/70															
TOLERANCES UNLESS OTHERWISE SPECIFIED:		APVD T.A.R. 6/29/70	NAME TNC STRAIGHT BULKHEAD CABLE JACK DIRECT SOLDER VERSION														
<table border="0"> <tr> <td>0 PLC</td> <td>± -</td> </tr> <tr> <td>1 PLC</td> <td>± 0.13 [.005]</td> </tr> <tr> <td>2 PLC</td> <td>± -</td> </tr> <tr> <td>3 PLC</td> <td>± -</td> </tr> <tr> <td>4 PLC</td> <td>± -</td> </tr> <tr> <td>ANGLES</td> <td>± 1°</td> </tr> </table>		0 PLC	± -	1 PLC	± 0.13 [.005]	2 PLC	± -	3 PLC	± -	4 PLC	± -	ANGLES	± 1°	PRODUCT SPEC -	SIZE A3		
0 PLC	± -																
1 PLC	± 0.13 [.005]																
2 PLC	± -																
3 PLC	± -																
4 PLC	± -																
ANGLES	± 1°																
MATERIAL -		FINISH -	APPLICATION SPEC -	CAGE CODE 00779	DRAWING NO C-1057676												
		WEIGHT 0.000000	RESTRICTED TO -														
		CUSTOMER DRAWING		SCALE 4:1	SHEET 1 OF 1												
				REV A2													