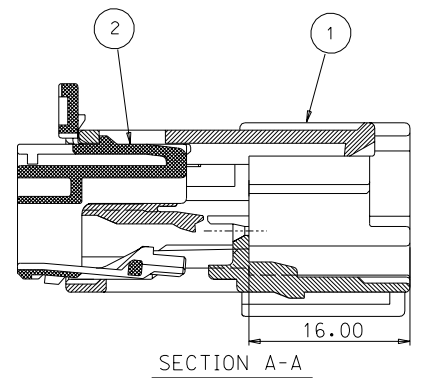
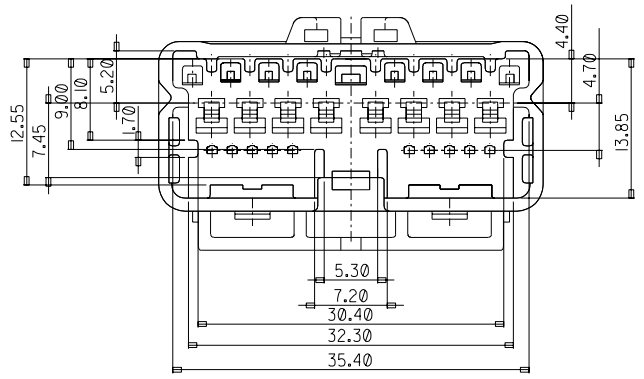


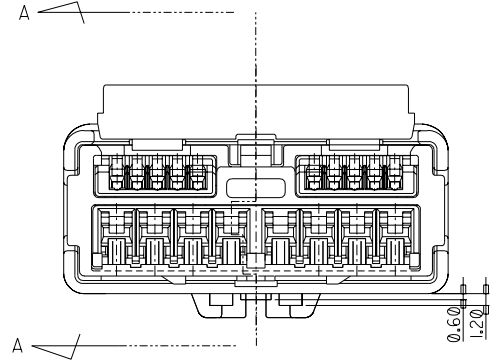
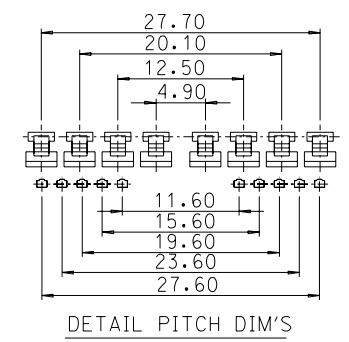
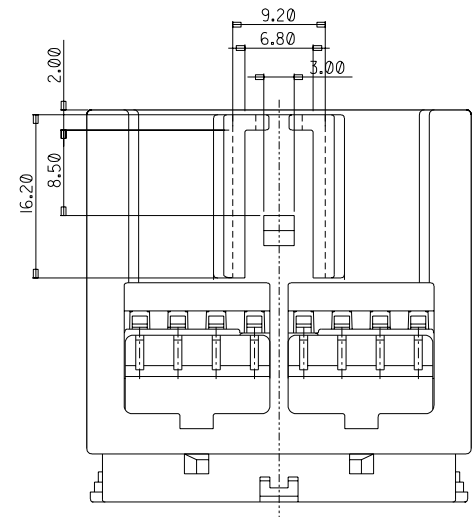
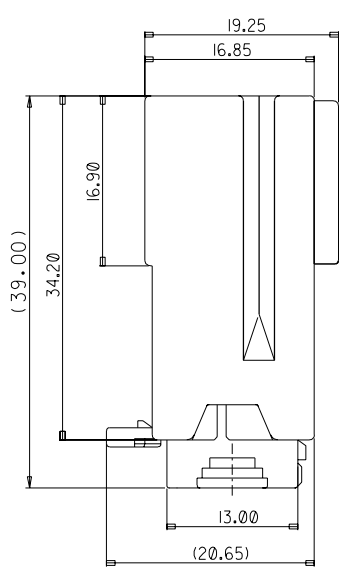
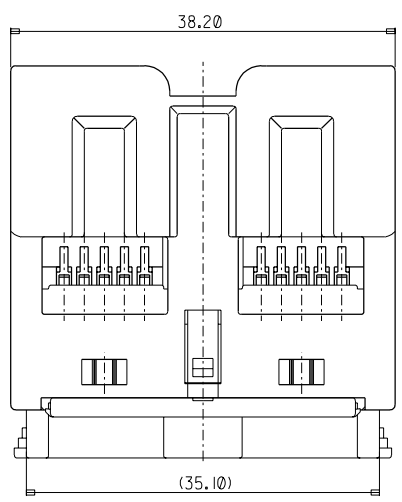
DO NOT SCALE DRAWING DIMENSION IN METRIC

PROJECT NO. PROJECT NO. SIMILAR ITEM DWG. NO. SD35376-002



NO	PART NO	PART NAME	MATERIAL	Q'TY
1	35376-1890	DUOMATE HYBRID TYPE 18P MALE CONN. ASS'Y	POLYESTER (PBT)	1
2	35377-1880	DUOMATE HYBRID TYPE 18P MALE TPA	POLYESTER (PBT)	1

NOTES:  
 1. MATING TERMINAL PART NO:  
 DUOMATE(030):35426-9702  
 UNICONN(90)TYPE: 3535420-9702,35420-9802,35420-9902  
 2. MATING CONNECTOR PART NO: 35374-1810  
 3. TERMINAL RETENTION FORCE(COMBINED): 10kgf MIN.



NEW RELEASE EC NO. A	DRWN: Y.SIK.KIM 98/06/19 CHK: APPR:	DESCRIPTION MAJOR CRITICAL	QUALITY SYMBOLS	GENERAL TOLERANCES: (UNLESS SPECIFIED)		SCALE	DESIGN UNIT/STANDARD	THIRD ANGLE PROJECTION	DIMENSIONS:		SHT	REV
				mm	inch	2:1	mm / INCH	FRONT / INCH / mm / INCH / ONLY	REVISE ON CAD ONLY			
4 PLACES ±0.10				DRAWN BY & DATE		TITLE: DUOMATE HYBRID TYPE 18P MALE CONNECTOR ASS'Y						
3 PLACES ±0.10				CHECKED BY & DATE		DRAWN BY: B.K. CHOI 98/11/17						
2 PLACES ±0.20				APPROVED BY & DATE		APPROVED BY: C.W. LEE 98/11/17						
1 PLACE ±0.10				DRAWN BY & DATE		DRAWN BY: C.W. LEE 98/11/17						
ANGULAR TOLERANCE				CAD FILE NAME		MATERIAL NO.		DRAWING NO.		SHEET NO.		
REVISION RECORD				s3537618.dwg		35376-1890		SD35376-002		1/1		
DRAFT WHERE APPLICABLE MUST REMAIN WITHIN DIMENSIONS				THIS DRAWING CONTAINS INFORMATION THAT IS PROPRIETARY TO MOLEX INCORPORATED AND SHOULD NOT BE USED WITHOUT WRITTEN PERMISSION.								