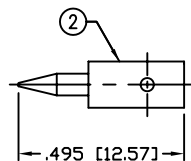
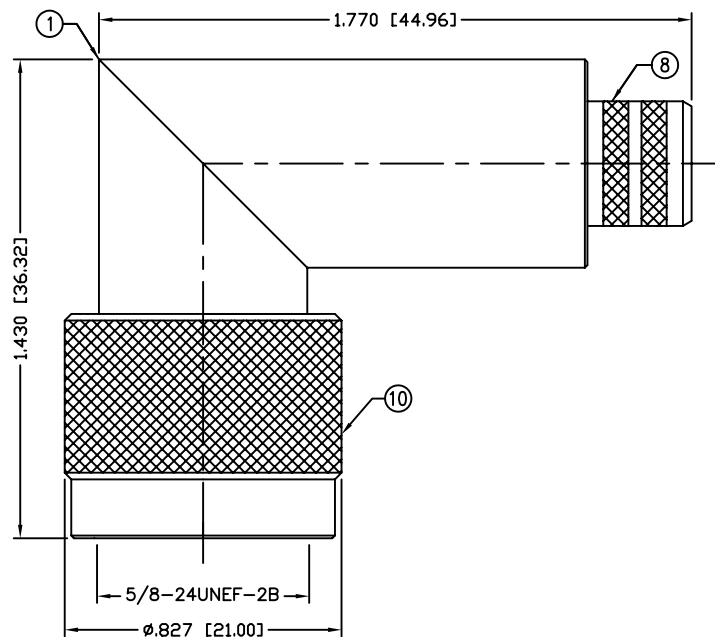


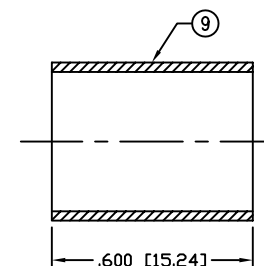
PART NO.

RFN-1009-3E

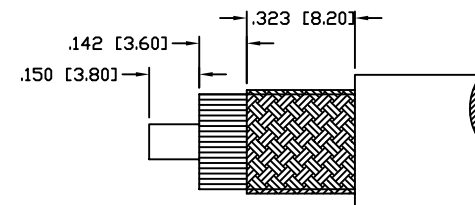
REV	DESCRIPTION	DWN	DATE	APPROVED
-	ENGINEERING RELEASE	CZS	07/22/08	JDMc



RECOMMENDED CRIMP DIE: .118"



RECOMMENDED CRIMP DIE: .429"



RECOMMENDED STRIPPING INSTRUCTIONS

SPECIFICATIONS:

IMPEDANCE: 50 Ohms

FREQUENCY RANGE: 0-11 GHz

WORKING VOLTAGE: 1k V rms @ sea level

TEMPERATURE RANGE: -65°C TO 85°C

INSULATION RESISTANCE: 5k M Ohms min.

FOR RG-8, 8A, 213/U, ALPHA 9008, 9213, BELDEN 8267, 9251,

9880, 89880, INTERCOMP 4085, 22132, TIMES AA-4478

12	GASKET	1	SILICONE	---
11	RETAINING	1	BRASS	SILVER, 80 μ"
10	SHELL	1	BRASS	SILVER, 80 μ"
9	FERRULE	1	BRASS	SILVER, 80 μ"
8	FERRULE STUD	1	BRASS	SILVER, 80 μ"
7	GROUND RING	1	BRASS	SILVER, 80 μ"
6	INSULATOR	1	PTFE	---
5	INSULATOR	1	PTFE	---
4	PIN	1	BRASS	GOLD, 3 μ"
3	PIN	1	BRASS	GOLD, 3 μ"
2	PIN	1	BRASS	GOLD, 3 μ"
1	BODY	1	BRASS	SILVER, 80 μ"

#	DESCRIPTION	QTY	MATERIAL	FINISH
---	-------------	-----	----------	--------

CUSTOMER
OUTLINE DRAWINGALL DIMENSIONS
ARE REFERENCE ONLYUNLESS OTHERWISE SPECIFIED:
DIMENSIONS ARE IN INCHES
AND [MILLIMETERS]DRAWN
JDM 2/17/10

CHECKED

ORJ DRAWN
C. ZUNIGA 07/22/08**RoHS
COMPLIANT**

PROPRIETARY AND CONFIDENTIAL
THIS DRAWING CONTAINS
INFORMATION PROPRIETARY TO
RF INDUSTRIES. ANY
UNAUTHORIZED USE OF THIS
DRAWING IS EXPRESSLY
PROHIBITED WITHOUT WRITTEN
PERMISSION FROM RF
INDUSTRIES. ANY VIOLATION IS
PUNISHABLE UNDER U.S.
COPYRIGHT LAWS.

RFconnectors7610 MIRAMAR RD.
SAN DIEGO, CA 92126
(858) 549-6340
DIVISION OF RF INDUSTRIES, LTD. (858) 549-6345 FAX**N PLUG, CRIMP**
RIGHT ANGLE

SIZE	CABLE GROUP	DWG NO.	REV
A	E	RFN-1009-3E	—
SCALE: NTS	ENGINEERING ID: 000494	SHEET 1 OF 1	