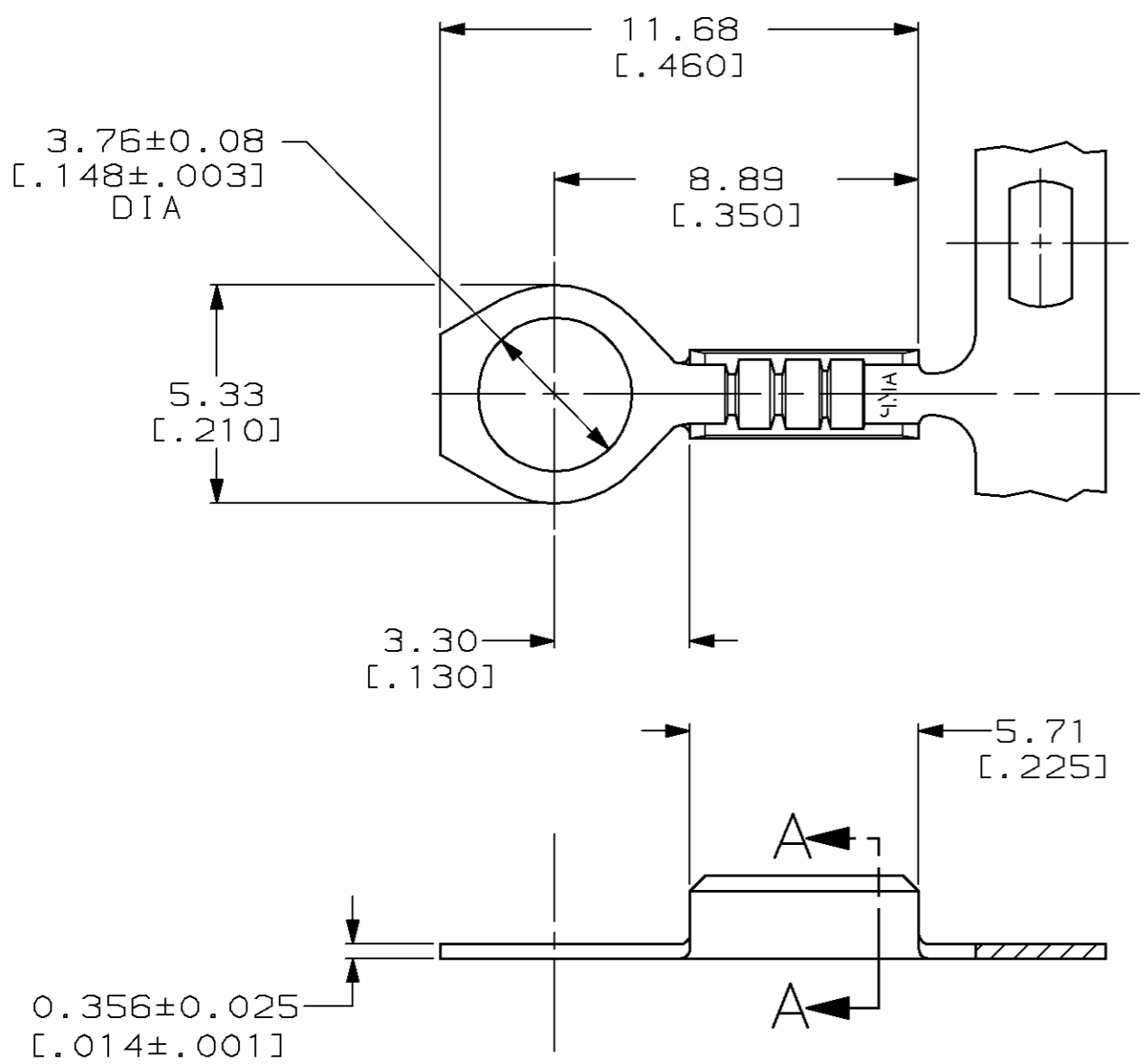
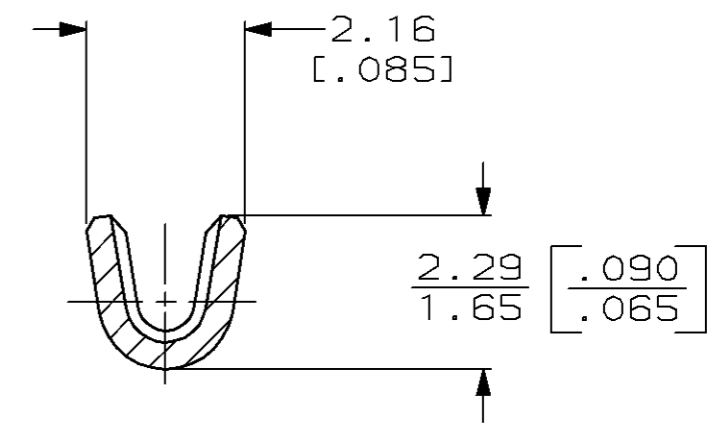


THIS DRAWING IS UNPUBLISHED. RELEASED FOR PUBLICATION ,19 .
 © COPYRIGHT 19 BY AMP INCORPORATED. ALL RIGHTS RESERVED.

LOC	DIST	REVISIONS			
P	LTR	DESCRIPTION	DATE	DWN	APVD
AF	50	A	RELEASE PER 0G1A-0293-98	01SEP98	PF GY



1 CONTINUOUS STRIP ON REEL.



0.76-0.89 [.030-.035] DIA	TINSEL WIRE	1217091-1
INSULATION RANGE	WIRE RANGE	PART NUMBER

THIS DRAWING IS A CONTROLLED DOCUMENT.		DWN PHILLIP M FORTNEY 22/MAY/98	AMP Incorporated Harrisburg, PA 17105-3608															
DIMENSIONS: mm [INCHES]		CHK MICHAEL S FEHER 22/MAY/98	RING															
TOLERANCES UNLESS OTHERWISE SPECIFIED:		APVD GARY YETTER 22/MAY/98																
<table border="1"> <tr><td>0 PLC</td><td>±-</td></tr> <tr><td>1 PLC</td><td>±-</td></tr> <tr><td>2 PLC</td><td>±0.25 [.010]</td></tr> <tr><td>3 PLC</td><td>±-</td></tr> <tr><td>4 PLC</td><td>±-</td></tr> <tr><td>ANGLES</td><td>±-</td></tr> </table>		0 PLC	±-	1 PLC	±-	2 PLC	±0.25 [.010]	3 PLC	±-	4 PLC	±-	ANGLES	±-	PRODUCT SPEC -	SIZE A3	CAGE CODE 00779	DRAWING NO C- 1217091	RESTRICTED TO -
0 PLC	±-																	
1 PLC	±-																	
2 PLC	±0.25 [.010]																	
3 PLC	±-																	
4 PLC	±-																	
ANGLES	±-																	
MATERIAL H04 BRASS		FINISH 0.002032 [.000080] MIN TIN PLATE	WEIGHT -	CUSTOMER DRAWING		SCALE 6:1	SHEET 1 OF 1	REV A										