

4

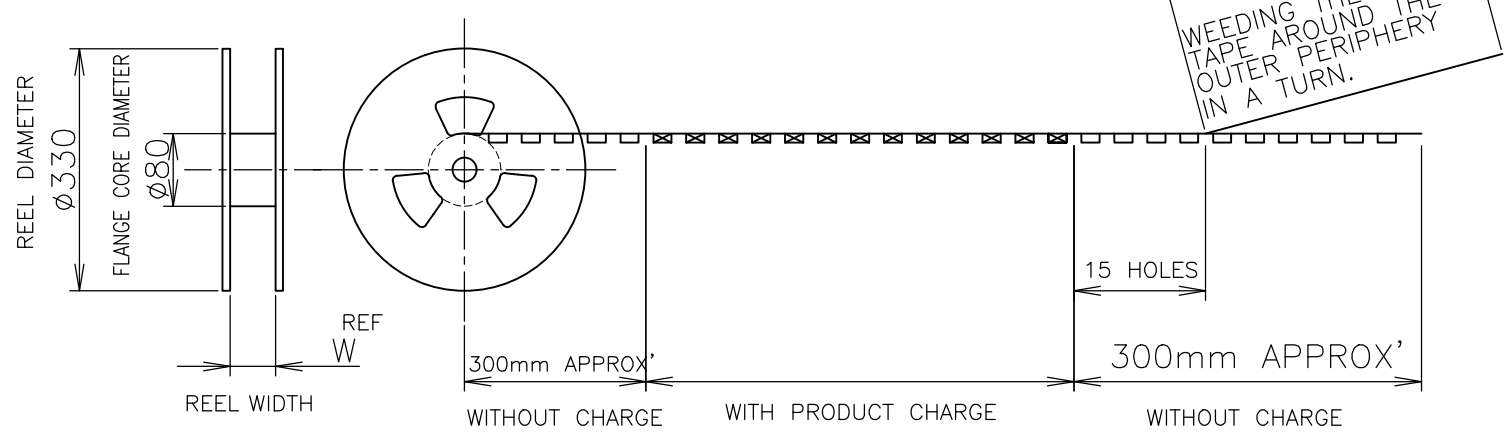
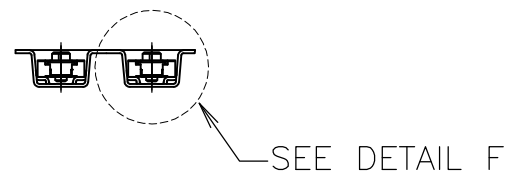
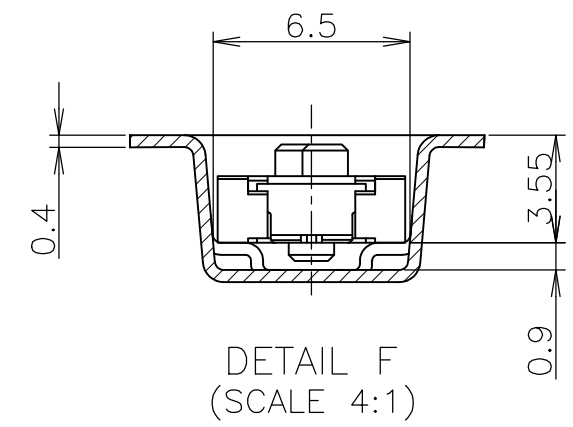
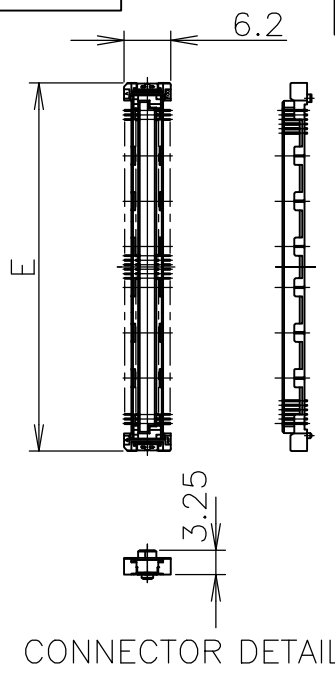
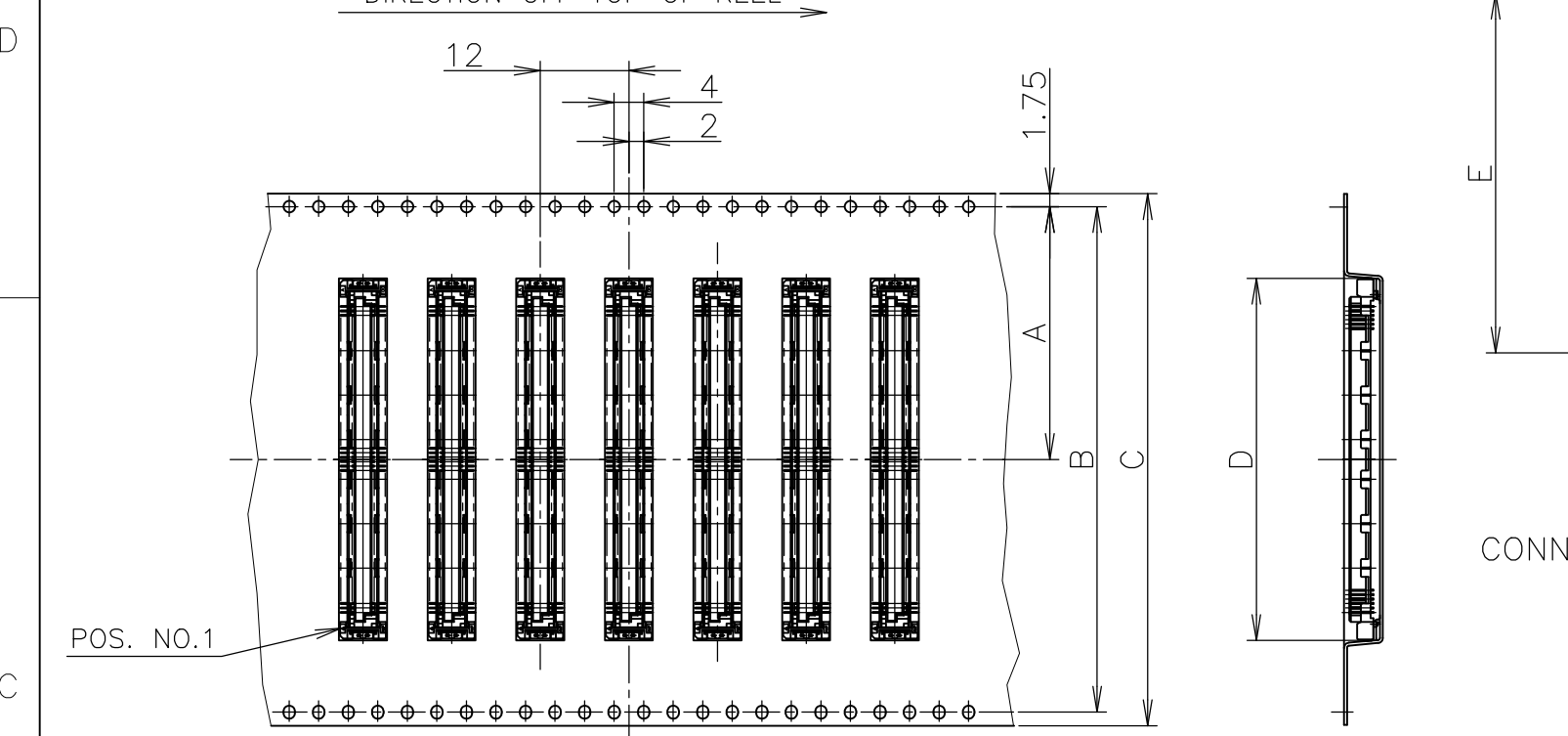
3

2

1

THIS DRAWING IS UNPUBLISHED. RELEASED FOR PUBLICATION DEC , 1996.
 © COPYRIGHT 1996 BY TYCO ELECTRONICS CORPORATION. ALL RIGHTS RESERVED.

LOC	DIST	REVISIONS			
P	LTR	DESCRIPTION	DATE	DWN	APVD
J		E1	REVISED PER ECO-19-011375	19JUL2019	R.L H.L



HOUSING COLOR	SEALANT	TOOLING STATUS	QTY.	W	E	D	C	B	A	POS.	PART NO.	
BLACK	AVAILABLE		1000	77.5	48.7	49	72	68.4	34.2	140	8-5353189-0	
	NOT AVAILABLE			77.5	54.7	55	72	68.4	34.2	160	6-5353189-1	
				77.5	48.7	49	72	68.4	34.2	140	6-0	
				61.5	42.7	43	56	52.4	26.2	120	5-9	
				61.5	36.7	37	56	52.4	26.2	100	5-8	
	NOT AVAILABLE			61.5	33.7	34	56	52.4	26.2	90	5-7	
	- AVAILABLE			49.5	30.7	31	44	40.4	20.2	80	5-6	
	NOT AVAILABLE			49.5	27.7	28	44	40.4	20.2	70	5-5	
	NOT AVAILABLE			49.5	24.7	25	44	40.4	20.2	60	5-4	
	- AVAILABLE			37.5	21.7	22	32	28.4	14.2	50	5-3	
	NOT AVAILABLE			37.5	18.7	19	32	28.4	14.2	40	5-2	
	AVAILABLE			29.5	15.7	16	24	11.5	11.5	30	5-5353189-1	
	NATURAL	NOT AVAILABLE		1000	77.5	54.7	55	72	68.4	34.2	160	1-5353189-1
					77.5	48.7	49	72	68.4	34.2	140	1-0
				61.5	42.7	43	56	52.4	26.2	120	-9	
NOT AVAILABLE				61.5	36.7	37	56	52.4	26.2	100	-8	
- AVAILABLE				61.5	33.7	34	56	52.4	26.2	90	-7	
NOT AVAILABLE				49.5	30.7	31	44	40.4	20.2	80	-6	
				49.5	27.7	28	44	40.4	20.2	70	-5	
				49.5	24.7	25	44	40.4	20.2	60	-4	
				37.5	21.7	22	32	28.4	14.2	50	-3	
				37.5	18.7	19	32	28.4	14.2	40	-2	
NOT AVAILABLE				29.5	15.7	16	24	11.5	11.5	30	5353189-1	

3 THIS PRODUCT WAS COATED BY FLUX-PENETRATION -INHIBITING AGENT.

THIS DRAWING IS A CONTROLLED DOCUMENT.

DIMENSIONS: MM	TOLERANCES UNLESS OTHERWISE SPECIFIED:	DWN HAWKING HE 20DEC04	Tyco Electronics Corporation Kawasaki, Japan
	0 PLC ± 0.2 1 PLC ± 0.2 2 PLC ± 0.2 3 PLC ± 0.2 4 PLC ± 0.2 ANGLES ± 5°	CHK STEVEN YAO 20DEC04	
MATERIAL	FINISH	APVD I.ENOMOTO 20DEC04	NAME
		PRODUCT SPEC 108-60047	EMBOSS ASSY FH 0.6BTB CONNECTOR REC 4H STD TYPE
		APPLICATION SPEC 114-5255	SIZE CAGE CODE DRAWING NO RESTRICTED TO
		WEIGHT	A3 00779 C-5353189
CUSTOMER DRAWING			SCALE 1:1 SHEET 1 OF 2 REV E1

THIS DRAWING IS UNPUBLISHED. RELEASED FOR PUBLICATION . DEC 1996

© COPYRIGHT 1996 BY TYCO ELECTRONICS CORPORATION. ALL RIGHTS RESERVED.

LOC	DIST	REVISIONS					
J		P	LTR	DESCRIPTION	DATE	DWN	APVD
		-		SEE SHEET 1	-	-	-

D

C

B

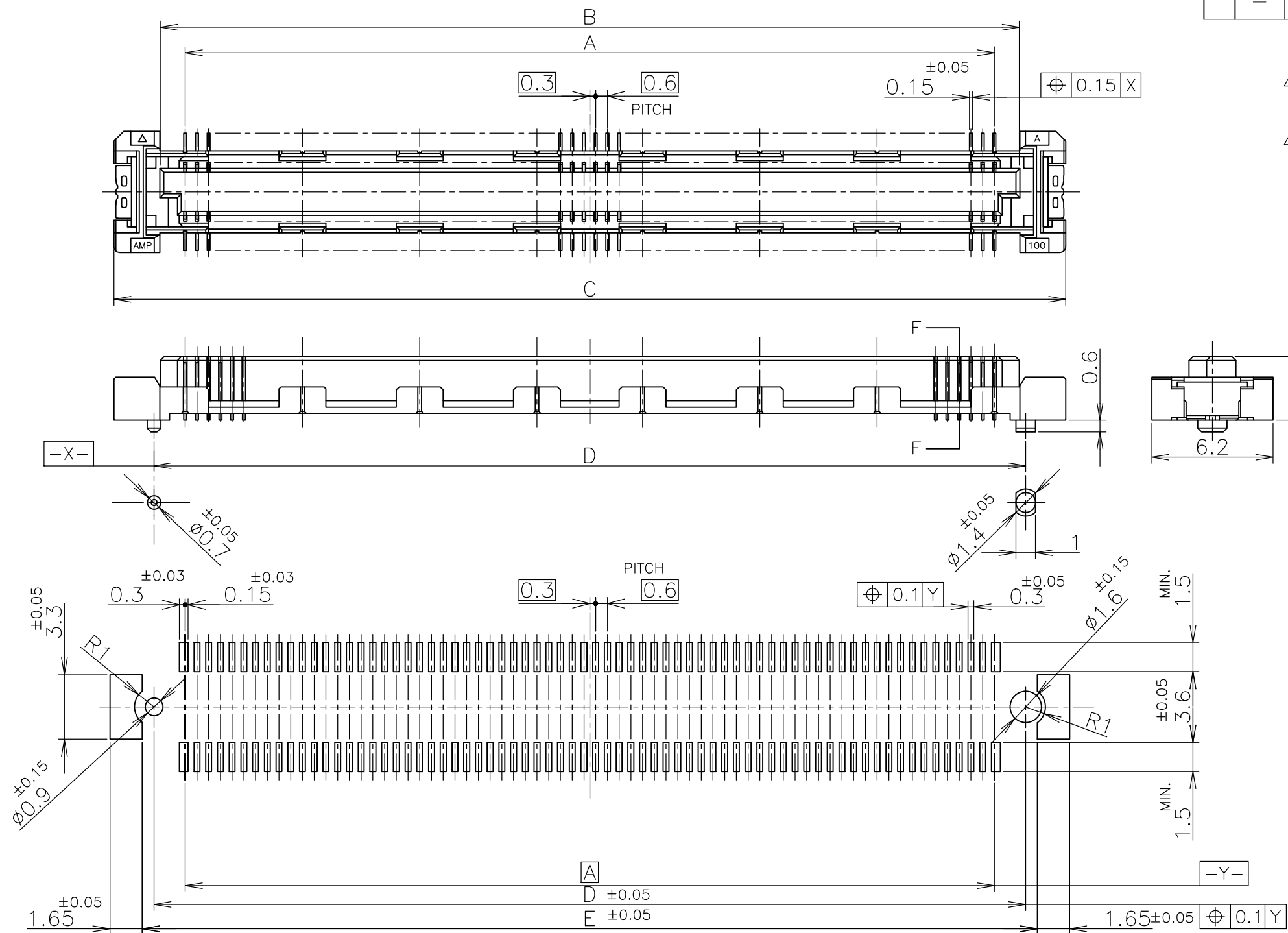
A

D

C

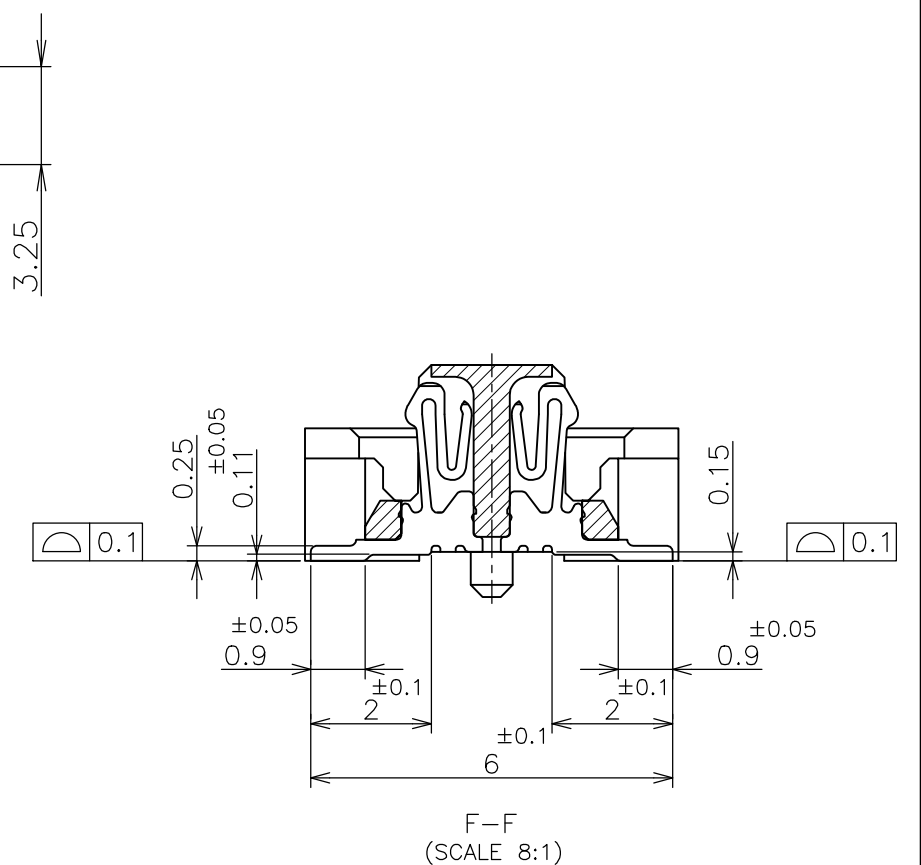
B

A



1 MATERIAL : HOUSING : HIGH TEMP THERMO PLASTIC
UL94V-0
CONTACT : COPPER ALLOY

2 FINISH : UNDER PL Ni 0.0013mm MIN ALL OVER.
CONTACT AREA 0.0002 MIN Au PL.
SOLDERING AREA 0.00005 MIN Au PL.



REFERENCE P.C. BOARD LAYOUT

AVAILABLE	51.8	50.6	54.7	50	47.4	160
AVAILABLE	45.8	44.6	48.7	44	41.4	140
NOT AVAILABLE	39.8	38.6	42.7	38	35.4	120
NOT AVAILABLE	33.8	32.6	36.7	32	29.4	100
AVAILABLE	30.8	29.6	33.7	29	26.4	90
AVAILABLE	27.8	26.6	30.7	26	23.4	80
AVAILABLE	24.8	23.6	27.7	23	20.4	70
NOT AVAILABLE	21.8	20.6	24.7	20	17.4	60
AVAILABLE	18.8	17.6	21.7	17	14.4	50
NOT AVAILABLE	15.8	14.6	18.7	14	11.4	40
NOT AVAILABLE	12.8	11.6	15.7	11	8.4	30
TOOLING STATUS	E	D	C	B	A	POS

THIS DRAWING IS A CONTROLLED DOCUMENT.		DWN		Tyco Electronics		Tyco Electronics Corporation	
DIMENSIONS: MM		TOLERANCES UNLESS OTHERWISE SPECIFIED:		CHK		Kawasaki Japan	
MATERIAL		FINISH		APVD		NAME	
1		2		PRODUCT SPEC		EMBOSS ASSY	
				APPLICATION SPEC		FH 0.6BTB CONNECTOR	
				WEIGHT		REC 4H STD TYPE	
				CUSTOMER DRAWING		RESTRICTED TO	
				SIZE		DRAWING NO	
				A3		5353189	
				SCALE		SHEET	
				4:1		2 OF 2	
				REV		E1	