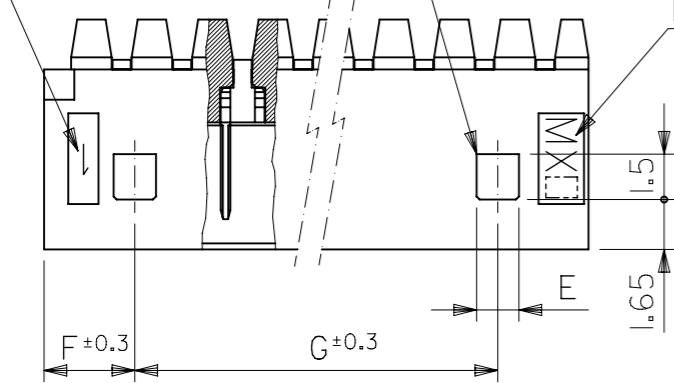
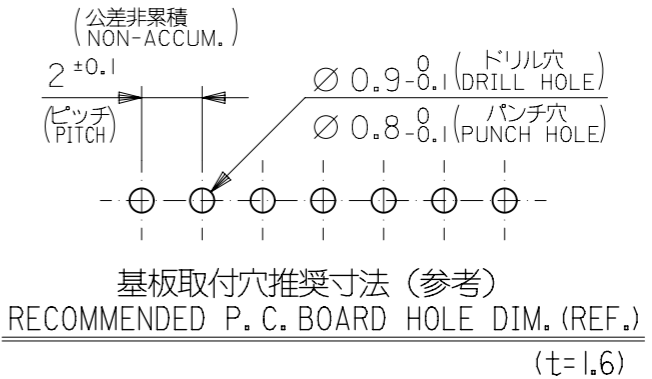
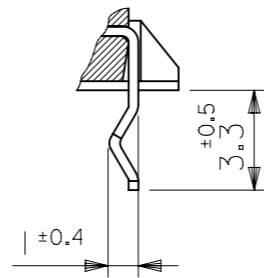


回路番号1
CIRCUIT NO. 1

トレードマーク
TRADE MARK

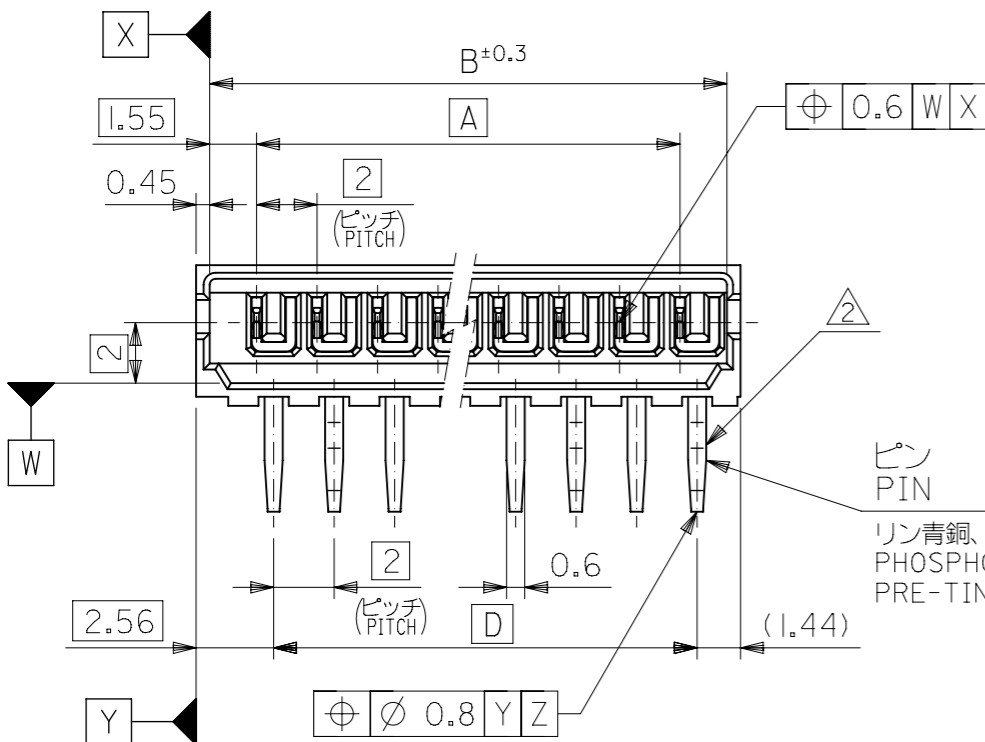


2極品のキンク形態図
KINK FORM FOR 2 CKTS.
両方のテールにキンクを施す。
SOLDER TAIL KINK SHOULD
BE ADDED ON BOTH TAILS.

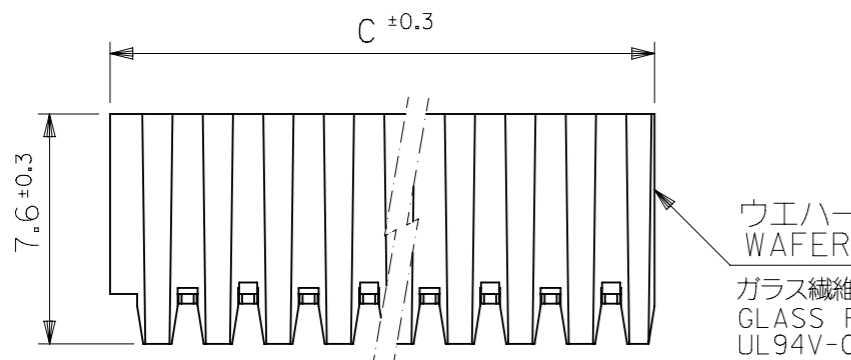
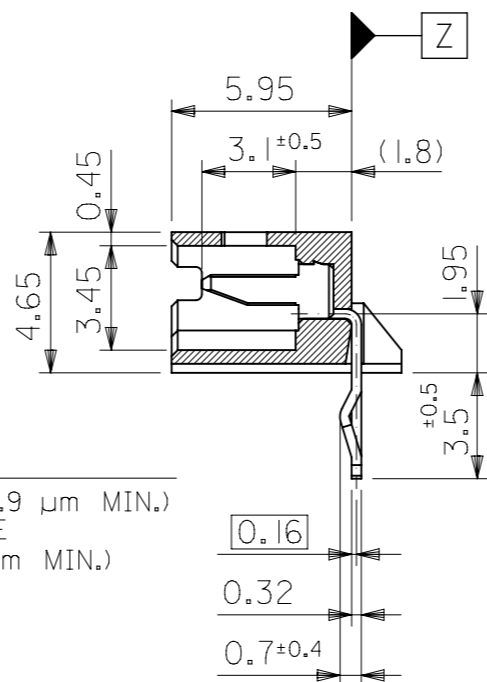


注記 NOTES

1. 嵌合相手 : 51004 シリーズ
MATES WITH : 51004 SERIES
2. 3極以上のキンクは、1極おきに2カ所以上に施すこと。
KINK TO BE ADDED ON THE ODD NUMBER
SOLDER TAILS.(FROM THE TRADE MARK SIDE)
3. ロック穴は、2極と3極は1カ所、4極以上は2カ所とする。
LOCKING HOLE : ONE PLACE FOR 2 AND 3 CKTS.
TWO PLACES FOR 4 AND MORE THAN 4 CKTS.



ピン
PIN
リン青銅、錫メッキ (0.9 μm MIN.)
PHOSPHOR BRONZE
PRE-TINNED(0.9 μm MIN.)



ウエハー
WAFER
ガラス繊維入りナイロン66 (カラー: オフホワイト)
GLASS FIBER FILLED NYLON66 (COLOR: OFF-WHITE)
UL94V-0

16	3	1.4	18	22	21.1	18	53015-1010	10
12	↑	↑	14	18	17.1	14	↑ -0810	8
10	↑	↑	12	16	15.1	12	↑ -0710	7
8	↑	↑	10	14	13.1	10	↑ -0610	6
6	↓	↓	8	12	11.1	8	↓ -0510	5
4	3	1.4	6	10	9.1	6	↓ -0410	4
—	4	3.4	4	8	7.1	4	53015-0310	3
G	F	E	D	C	B	A	ENG. NO.	極数 NO. OF CKTS.

THIS DRAWING CONTAINS INFORMATION THAT IS PROPRIETARY TO MOLEX ELECTRONIC TECHNOLOGIES, LLC AND SHOULD NOT BE USED WITHOUT WRITTEN PERMISSION

DIMENSION UNITS: mm SCALE: 4:1

GENERAL TOLERANCES (UNLESS SPECIFIED):

	MM	INCH
4 PLACES ±	±	±
3 PLACES ±	±	±
2 PLACES ±	±	±
1 PLACE ±	±	±
0 PLACES ±	±	±

CURRENT REV DESC:

EC NO: 620398
DRWN: AKUMAR19 2019/01/07
CHK'D: GGA 2019/10/18
APPR: GGA 2019/10/18

INITIAL REVISION:
DRWN: H.HIRAMOTO 1993/03/31
APPR: M.FUKUSHIMA 1993/03/31

角 度 ANGLE ±3°
30 以上 OVER ±0.3
10 以上 30 未満 UNDER ±0.25
10 未満 UNDER ±0.2

一般公差
GENERAL TOLERANCES

DRAFT WHERE APPLICABLE MUST REMAIN WITHIN DIMENSIONS

THIRD ANGLE PROJECTION

DRAWING: A3-SIZE SERIES: 53015

DOCUMENT NUMBER: SD-53015-XX10 DOC TYPE: PSD DOC PART: 002 REVISION: F

MATERIAL NUMBER: SEE TABLE CUSTOMER: GENERAL MARKET SHEET NUMBER: 1 OF 1

molex

2.0 LOW PROFILE WAFER ASSY R/A

PRODUCT CUSTOMER DRAWING