

Peak Emission Wavelength: 770nm

The 770nm visible emitter series is designed for applications requiring high output and precise optical / mechanical axis alignment. Custom package solutions and sorting are available.

FEATURES

- > TO-5 Metal Can Package
- > High Output Power
- > High Reliability
- > Wide Beam Angle

APPLICATIONS

- > Optical Switches
- > Medical Application
- > Optical Sensor



Absolute Maximum Ratings (Ta=25°C)



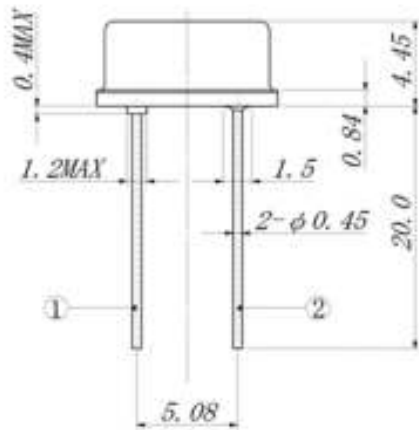
ITEMS	SYMBOL	RATINGS	UNIT
Forward Current (DC) *3	IF	500	mA
Forward Current (Pulse) *1	IFP	1	A
Reverse Voltage	VR	5	V
Power Dissipation	PD	1000	mW
Operating Temperature Range	Topr-	-20 ~ +85	°C
Storage Temperature	Tstg	-30 ~ +100	°C
Junction Temperature	Tj	100	°C
Lead Soldering Temperature *2	Tls	260	°C

*1: Tw=10usec, T=10msec; *2: Time 5 Sec max, Position: Up to 3mm from the body *3: Proper heat sink required.

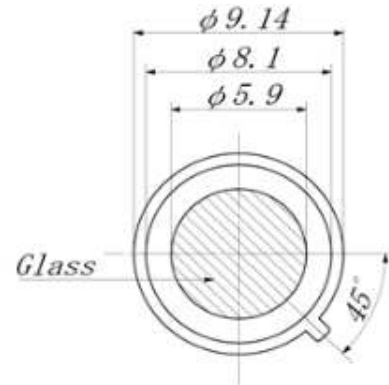
Electrical & Optical Characteristics (Ta = 25°C)

ITEMS	SYMBOL	CONDITIONS	MIN	TYP	MAX	UNIT
Power Output	PO	IF=200mA	--	18.0	--	mW
Forward Voltage	VF	IF=200mA	--	1.7	2.0	V
Reverse Current	IR	VR=5V	--	--	10	μA
Peak Emission Wavelength	λp	IF=200mA	--	770	--	nm
Spectral Line Half Width	Δλ	IF=200mA	--	35	--	nm
Half Intensity Beam Angle	Θ	IF=200mA	--	±45	--	deg

Package Dimensions



① Cathode ② Anode



Unit: mm, Tolerance: ±0.2

Characteristic Curves (Ta = 25°C)

