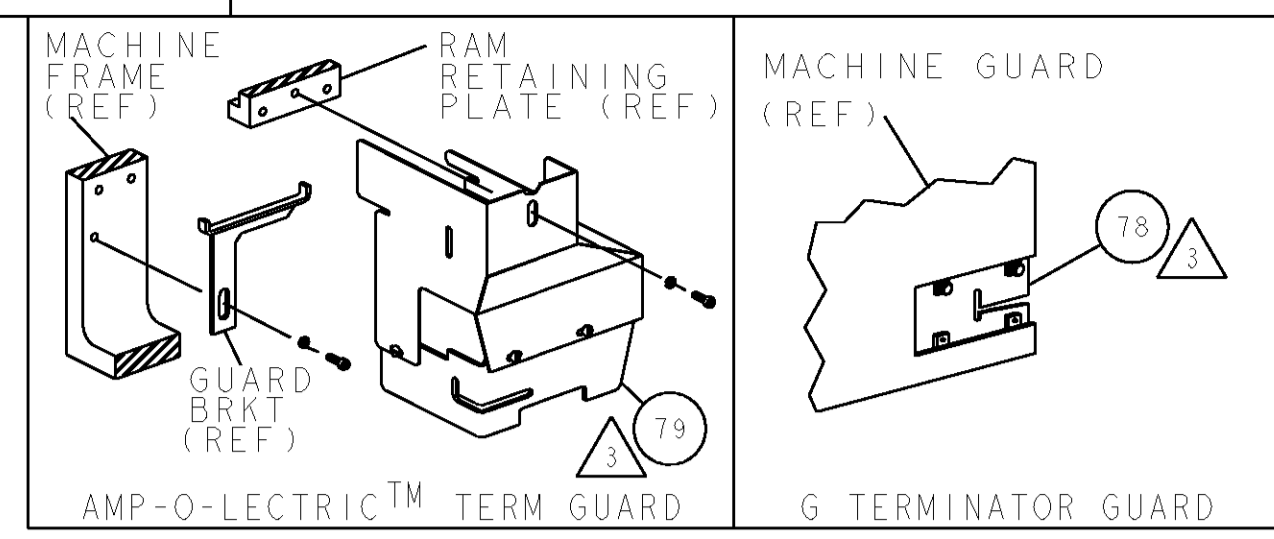


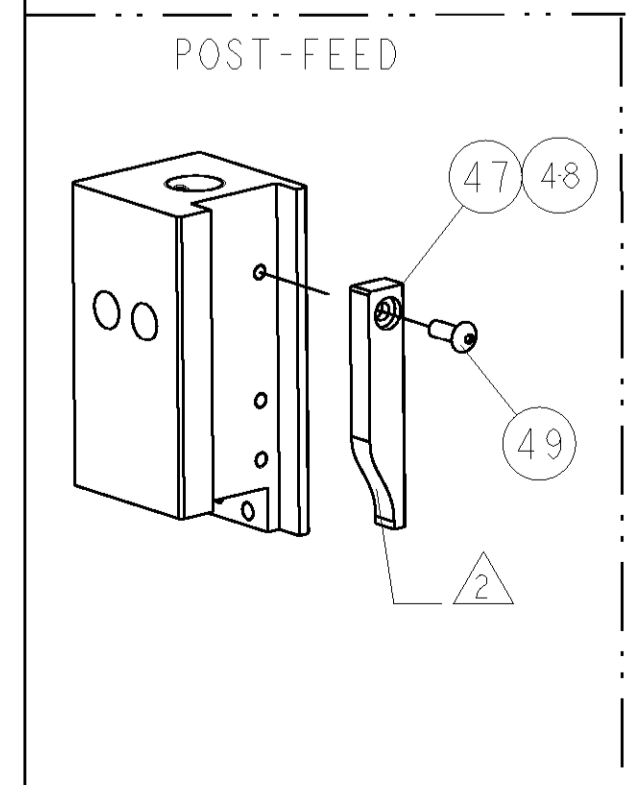
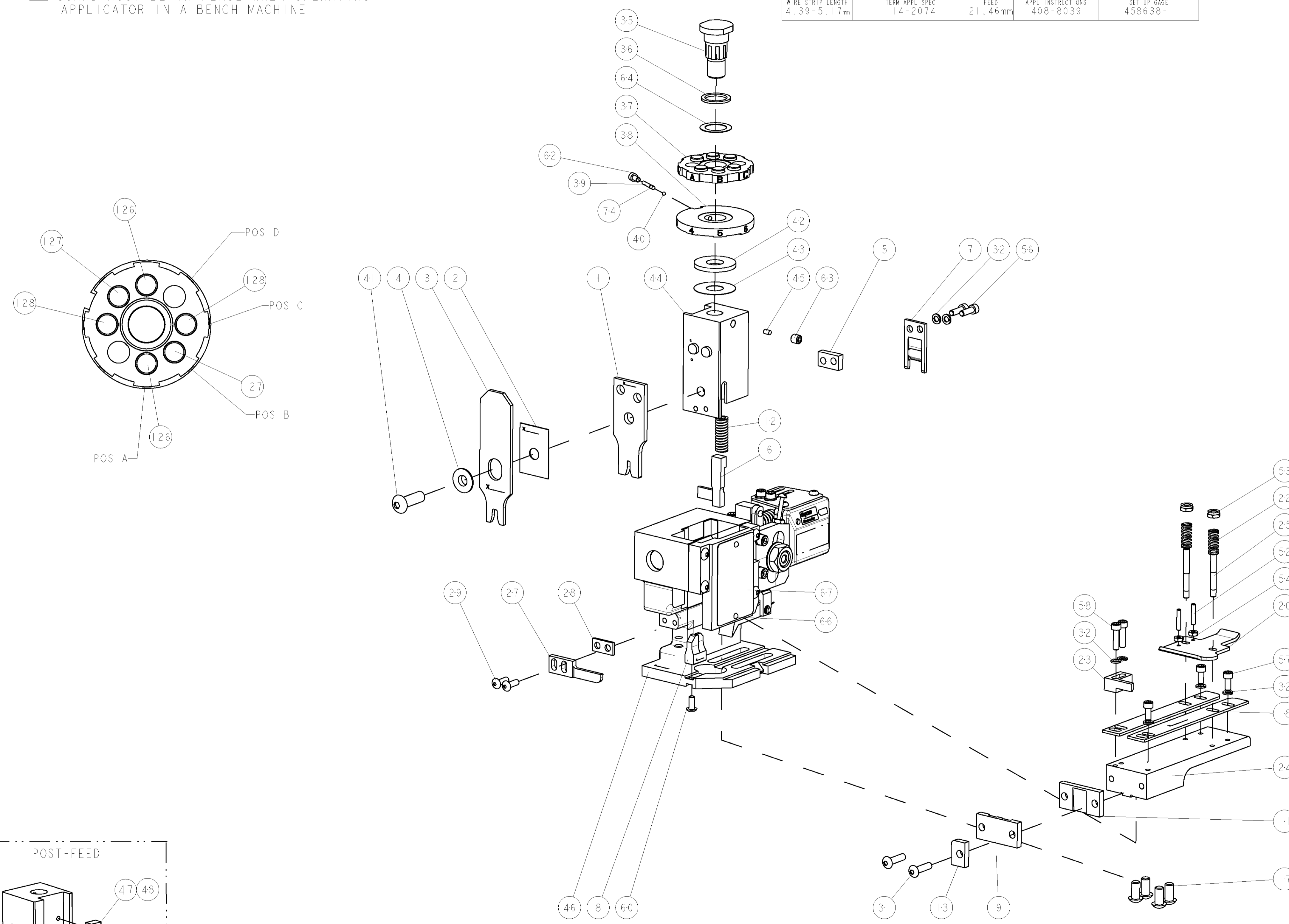
PART NUMBER	REV	FIRST USED	POWER UNIT	FEED TYPE
1852593-1	A	122500-1	LEADMAKER & BENCH MODEL G	POST FEED
1852593-2	A	565435-5	BENCH MODEL K	POST FEED
7-1852593-7	A	-	SPARE PARTS	-



TERMINAL NAME: RECEPTACLE, POSITIVE LOCK, 6.35 (.250) SERIES					
1742630	-	TE TERMINAL - TE CRIMP SPECS			
-	-	PAD LTR	CRIMP HEIGHT	WIRE SIZE	
-	-	A	1.24±0.05mm [.049±.002]	18AWG	
-	-	B	1.12±0.05mm [.044±.002]	20AWG	
-	-	C	1.07±0.05mm [.042±.002]	22AWG	
-	-	D	-	-	
-	-	CRIMP	SIZE	TYPE	RANGE
-	-	WIRE	2.03mm [.080]	F	22-18 AWG
-	-	INSUL	4.57mm [1.80]	F	∅ 2.29-3.94mm
WIRE STRIP LENGTH 4.39-5.17mm	TERM APPL SPEC 114-2074	FEED 21.46mm	APPL INSTRUCTIONS 408-8039	SET UP GAGE 458638-1	

LOC	DIST	REV	DESCRIPTION	DATE	DWN	APPR
A	66		RELEASED	04DEC2007	RK	TE

- △ RECOMMENDED SPARE PARTS
- ② GREASE LIGHTLY
- ③ GUARD MUST BE IN PLACE WHEN OPERATING APPLICATOR IN A BENCH MACHINE



-	2	2	-	5-354779-1	PIN, WIRE DISC, .3245	128
-	2	2	-	4-354779-6	PIN, WIRE DISC, .3220	127
-	2	2	-	3-354779-6	PIN, WIRE DISC, .3170	126
-	REF	-	-	455745-1	GUARD WINDOW	79
-	-	REF	-	679532-1	INSERT, GUARD	78
-	1	1	-	690603-1	SPRING ASSIST AMP-O-MATOR APPLICATOR	74
-	1	1	-	217238-1	GENERAL INSTRUCTION PKG	72
-	1	1	-	4088039	EF APPL INST 408-8039	71
-	1	1	-	461264-1	PLATE, IDENTIFICATION	67
-	2	2	-	21017-2	SCREW, DRIVE	66
-	1	1	-	986950-1	WASHER, FLAT PRECISION	64
-	1	1	-	21009-2	SCR, SET, SELF LOCKING 1/4-20 X .250	63
-	1	1	-	23030-1	SCR, SKT HD CAP 6-32 X .25	62
-	1	1	-	22733-8	SCR, BHSC, SELF-LOCKING, 8-32 X .375	60
-	2	2	-	2-21000-8	SCR, SKT HD CAP 8-32 X .625	58
-	3	3	-	2-21000-6	SCR, SKT HD CAP 8-32 X .375	57
-	2	2	-	2-21000-7	SCR, SKT HD CAP 8-32 X .500	56
-	2	2	-	21018-4	NUT, HEX, REG 4-40	54
-	2	2	-	21022-2	NUT, LOCK, HEX, TORQUE, 8-32	53
-	2	2	-	2-21006-6	SCR, SET, CUP POINT 4-40 X .625	52
-	1	1	-	1-21002-7	SCR, BTN SKT CAP 6-32 X .375	49
-	1	-	-	690501-3	CAM, POST FEED, 1 1/8	48
-	-	1	-	690501-4	CAM, POST FEED, 1 5/8	47
-	1	1	-	458980-1	SUB ASSY, APPLICATOR FRAME	46
-	1	1	-	690191-1	PLUG, NYLON	45
-	1	1	-	455674-1	RAM	44
-	1	1	-	690125-1	SHIM SUB-ASSY	43
-	1	1	-	690124-1	WASHER, RAM (.115)	42
-	1	1	-	7-21002-9	SCR, BTN SKT HD CAP 5/16-24 X 1.00	41
-	1	1	-	23241-6	BALL, STEEL	40
-	1	1	-	690170-1	SPRING, COMPRESSION	39
-	1	1	-	1-690142-1	DISC, INSULATION	38
-	1	1	-	354777-1	WIRE DISC, ASSEMBLY	37
-	1	1	-	22480-5	SPRING, COMPRESSION	36
-	1	1	-	690212-1	POST, RAM	35
-	7	7	-	21024-4	WASHER, SPRG LOCK, REG NO 8	32
-	2	2	-	2-21002-9	SCR, BTN SKT HD CAP 10-32 X .750	31
-	2	2	-	2-21002-2	SCR, BTN SKT HD CAP 8-32 X .500	29
-	1	1	-	3-690451-2	SPACER, STRIPPER	28
-	1	1	-	240639-1	STRIPPER (MACHINING)	27
-	2	2	-	22354-8	STUD, THREADED	25
-	1	1	-	455678-1	PLATE, STRIP GUIDE	24
-	1	1	-	240825-2	PLATE, STRIP HOLD DOWN	23
-	2	2	-	4-22281-1	SPRING, DRAG	22
-	1	1	-	454177-1	DRAG	20
-	2	2	-	2-454204-1	GUIDE, LOWER STRIP	18
-	4	4	-	3-21002-3	SCR, BTN SKT HD CAP 1/4-20 X .500	17
-	1	1	-	690481-2	SPACER, HOLD DOWN	13
-	1	1	-	23846-1	SPRING, DIE	12
-	1	1	-	240644-1	PLATE, REAR SHEAR	11
-	-	-	-	-	-	10
-	1	1	-	690482-5	PLATE, FRONT SHEAR	9
-	1	1	-	1-1633248-8	ANVIL, COMBINATION	8
-	1	1	-	690474-5	BLADE, SLUG	7
-	1	1	-	3-455892-0	HOLD DOWN, TERMINAL	6
-	1	1	-	7-240641-1	SPACER	5
-	1	1	-	3-238009-5	BLOCK, FL CRIMPER SPACER	4
-	1	1	-	1424909-4	CRIMPER, INSULATION F	3
-	1	1	-	455888-5	SPACER, CRIMPER	2
-	1	1	-	456405-8	CRIMPER, WIRE PREMIUM	1

ITEM NO	DESCRIPTION	PART NO	U/M
-77	-2	-1	U/M

DIMENSIONS: INCHES 	TOLERANCES UNLESS OTHERWISE SPECIFIED: 0 PLC ±.01 1 PLC ±.01 2 PLC ±.01 3 PLC ±.001 4 PLC ±.001 ANGLES ±.001	DWN: R. KNEPPER 02NOV2007 CHK: T. ELBIN 04DEC2007 APVD: M. DEMING 04DEC2007 NAME: END FEED HDM APPLICATOR PRODUCT SPEC: - APPLICATION SPEC: - WEIGHT: - MATERIAL: - FINISH: -	Tyco Electronics Harrisburg, PA 17105-3608 SIZE: A1 CAGE CODE: 00779 DRAWING NO: C=1852593 SCALE: 3:5 SHEET: 1 OF 1 REV: A
---------------------------	--	---	---

CUSTOMER VIEWABLE ASSEMBLY