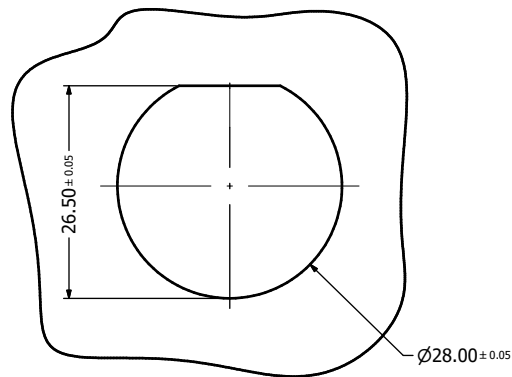
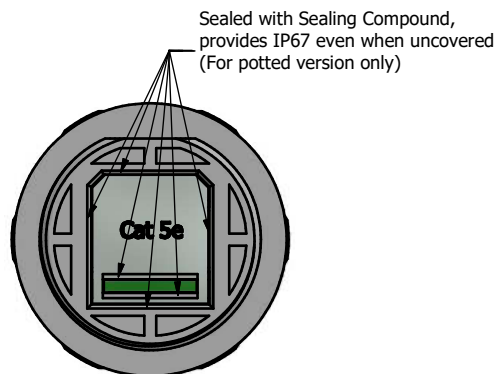
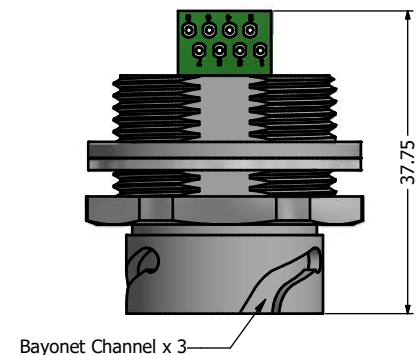


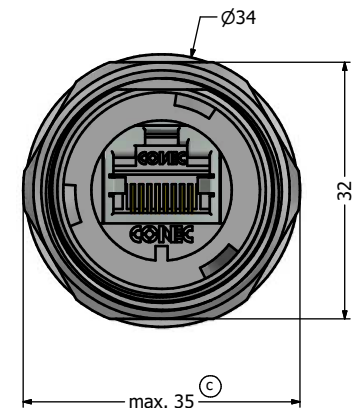
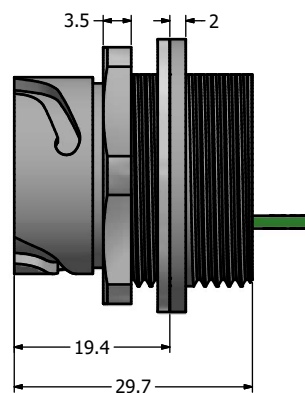
Shielded Cat.5e RJ45 PCB Jack accepts both Solid and Stranded AWG 24 to 26 Wires



Recommended Panel Cutout (b)



Sealed with Sealing Compound, provides IP67 even when uncovered (For potted version only)



Notes:

- Electrical Specifications:
 - Meets EIA/TIA-568-B.2 Cat.5e Specification
 - Contact Resistance: 20mOhm max.
 - Insulation Resistance: 500MOhm min. @ 100 VDC
 - Current Rating: 1.2A max. at 25° C
 - Working Voltage: 100 VDC
 - DWV: 1000 VDC/60s Contact to Contact, 1500 VDC/60s Contact to Metal Shell
 - Operating Temperature: -40° C to +85° C
- Material and Finish:
 - Receptacle Housing: Polyester (Color: See Part Number Table); UL94 V-0
 - Panel Nut: Brass, Finish: Nickel Plated
 - Panel Gasket: Silicon, Color: White
 - Cat.5e RJ45 PCB Jack Metal Shell: Copper Alloy, Nickel Plated
 - Cat.5e RJ45 PCB Jack Plastic Housing: Glass filled PBT UL94 V-0, Color: Black
 - Cat.5e RJ45 PCB Jack Contacts: Phosphor Bronze, Finish: 50u" Gold min. over Nickel
- Connector can be front or rear mounted to a maximum panel thickness of 3.2mm.
- IP67 rated when covered or fully mated with the appropriate mating connector
- RoHS compliant

RoHS compliant

| Description | Potted Colored Plastic Receptacle Housing with Shielded Cat.5e RJ45 PCB Jack | | | | | |
|----------------------------------|--|-----------|-----------|-----------|-----------|-----------|
| Plastic Receptacle Housing Color | Black | Blue | Green | Yellow | Red | White |
| Part Number | 17-10035 | 17-102524 | 17-102534 | 17-102544 | 17-102554 | 17-103034 |

| | | | | | | | | |
|---|-----------|-------------|---------------|---|---------------|--|-----------------------|------------|
| THIS DRAWING MAY NOT BE COPIED OR REPRODUCED IN ANY MANNER WITHOUT THE WRITTEN PERMISSION OF CONEC CORPORATION AND COPYRIGHT OF CONEC CORPORATION | Customer: | | | Tolerance Unless otherwise specified | | | Scale: 1.5:1 | Dim. in mm |
| | Name | Title | Approval Date | 0 PLC ±0.50 | 1 PLC ±0.38 | | Material: See Notes | |
| | | | | 2 PLC ±0.25 | 3 PLC ±0.10 | Title: Potted Receptacle Assembly Kit Colored Plastic Receptacle Housing with Shielded Cat. 5e RJ45 PCB Jack | | |
| | | | | Angles ±3° | 2011 Date | Name | Drawing No.: 17K1A191 | |
| | | | | | Draw. Feb. 08 | Vincent Ke | DIN A3 | |
| DOT NOT ALTER CAD DRAWING BY HAND | | | | Appd. Feb. 08 | J. Chaudry | Sheet 1/1 | | |
| 1 x c | Ä21-0426 | 29.10.2021 | Bub | Norm | | Part No.: SEE PART NUMBER TABLE | | |
| b | | Mar/08/2011 | Vincent ke | | | | | |
| a | original | | | | | | | |
| Rev | Changes | Date | Name | | | | | |
| | | | | | | | | |