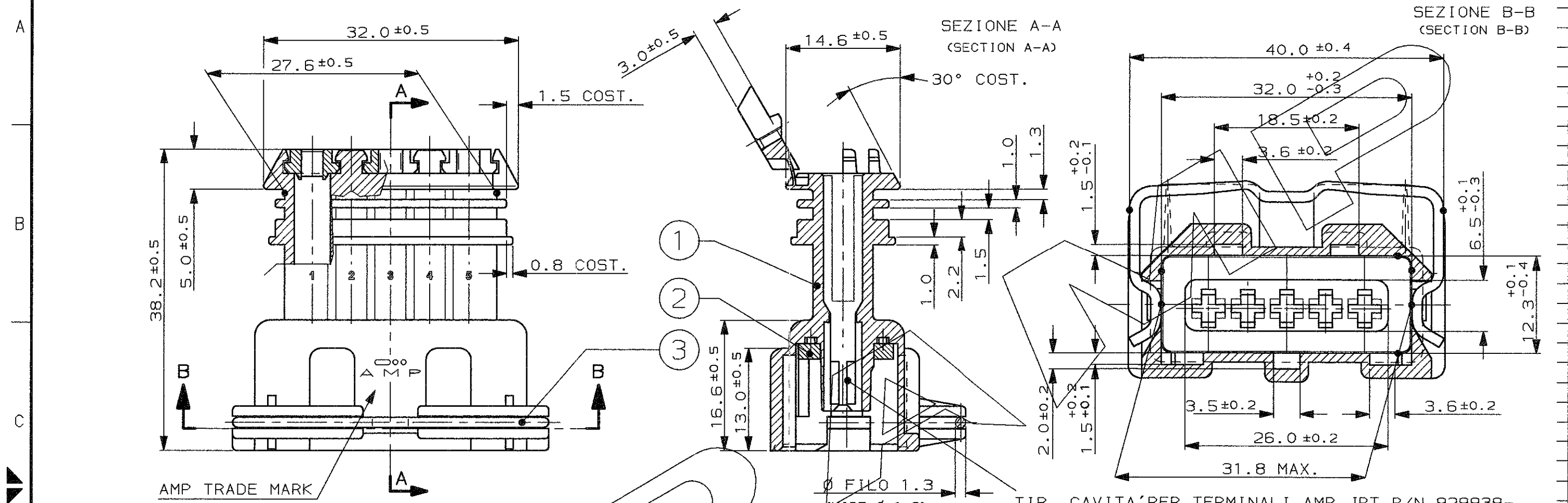
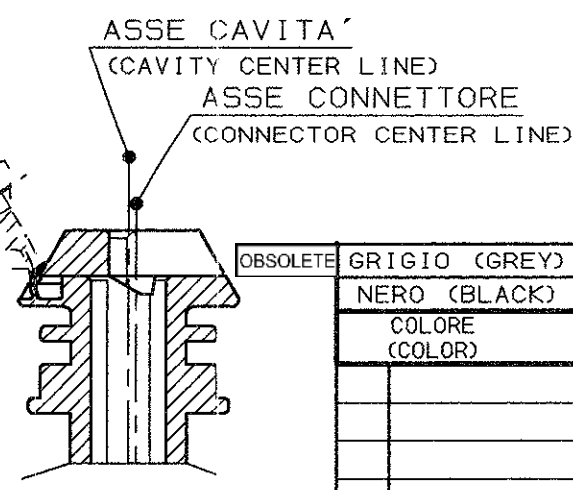
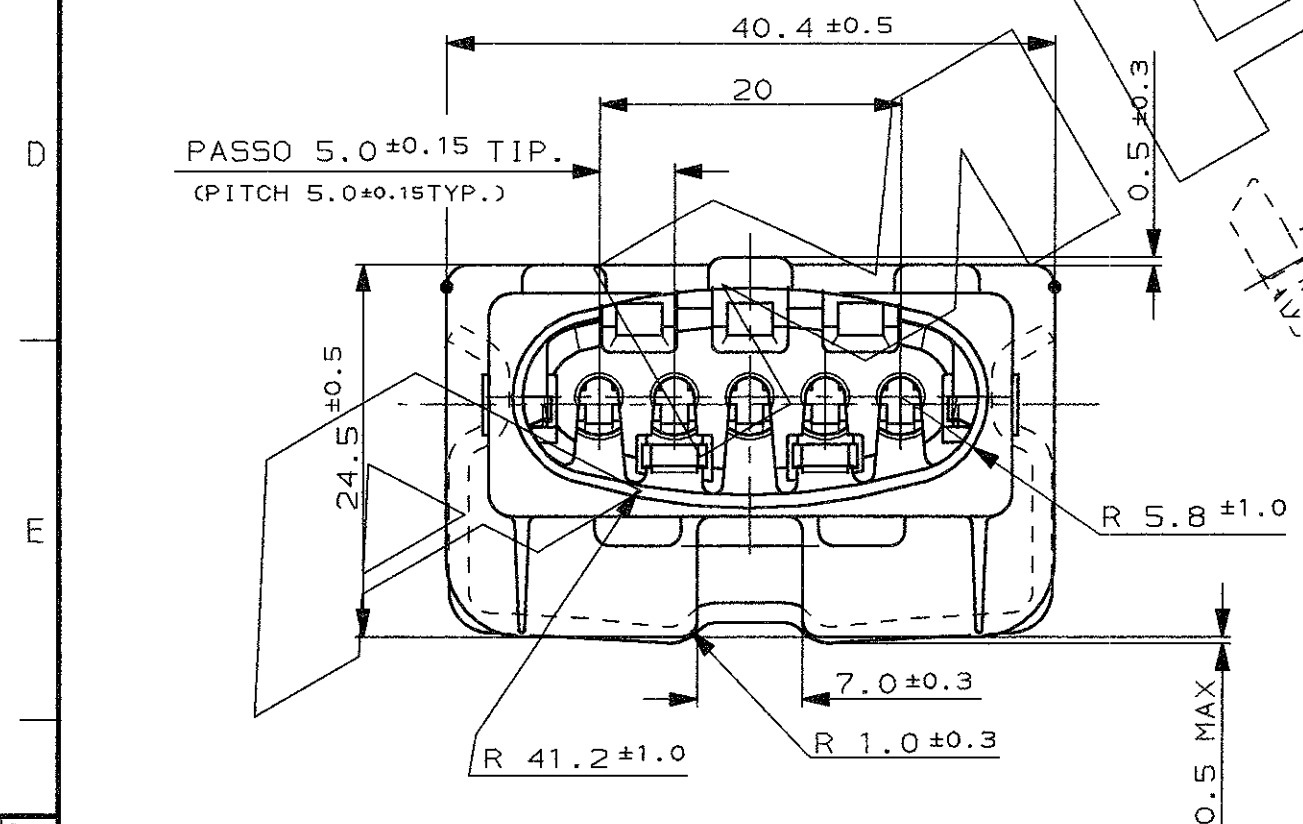


CONNETTORE TIPO A (CON MOLLA DI RITEGNO ESTERNA)
CONNECTOR TYPE B (WITH INTERNAL SPRING)



TIP. CAVITA' PER TERMINALI AMP JPT P/N 929939-...
OPPURE 929937-... E RELATIVI GOMMINI
AMP P/N 828904-1, 828905-1, 282536-1.
TAPPO CAVITA' P/N 828906-2
(TYP. CAV. FOR JPT CONT. P/N 929939-... A/O 929937-... AND REL.
SINGLE WIRE SEAL P/N 828904-1, 828905-1, 282536-1
CAVITY PLUG P/N 828906-2)



| | | | |
|----------|--|-------------------|-----------|
| OBSELETE | GRIGIO (GREY) | 282766-2 | E |
| | NERO (BLACK) | 282766-1 | |
| | COLORE (COLOR) | NUMERO (PART. N°) | REV. ASSY |
| E1 | REVISIIONE (REVISION RECORD) | DIS. DATA (DATE) | |
| C | AGGIORNATO E IN PRODUZIONE ET00-0125-00 | M.P. | |
| B | AGGIORNATO E IN PRODUZIONE EC ET00-0075-96 | A.B. | |
| A | PRIMA EMISSIONE CON ECN ET00-0217-95 | A.B. | |

| | | | |
|---|--------------------|----------------------------------|---------------------------|
| 3 | ////// | ACCIAIO INOX (STAINLESS STEEL) | MOLLA (SPRING) |
| 2 | NATURALE (NATURAL) | GOMMA SILICONE (SILICONE RUBBER) | GUARNIZIONE (SEALING) |
| 1 | ////// | PA 6.6 | BLOCCHETTO (HOUSING) |
| | | MATERIALE (MATERIAL) | DESCRIZIONE (DESCRIPTION) |

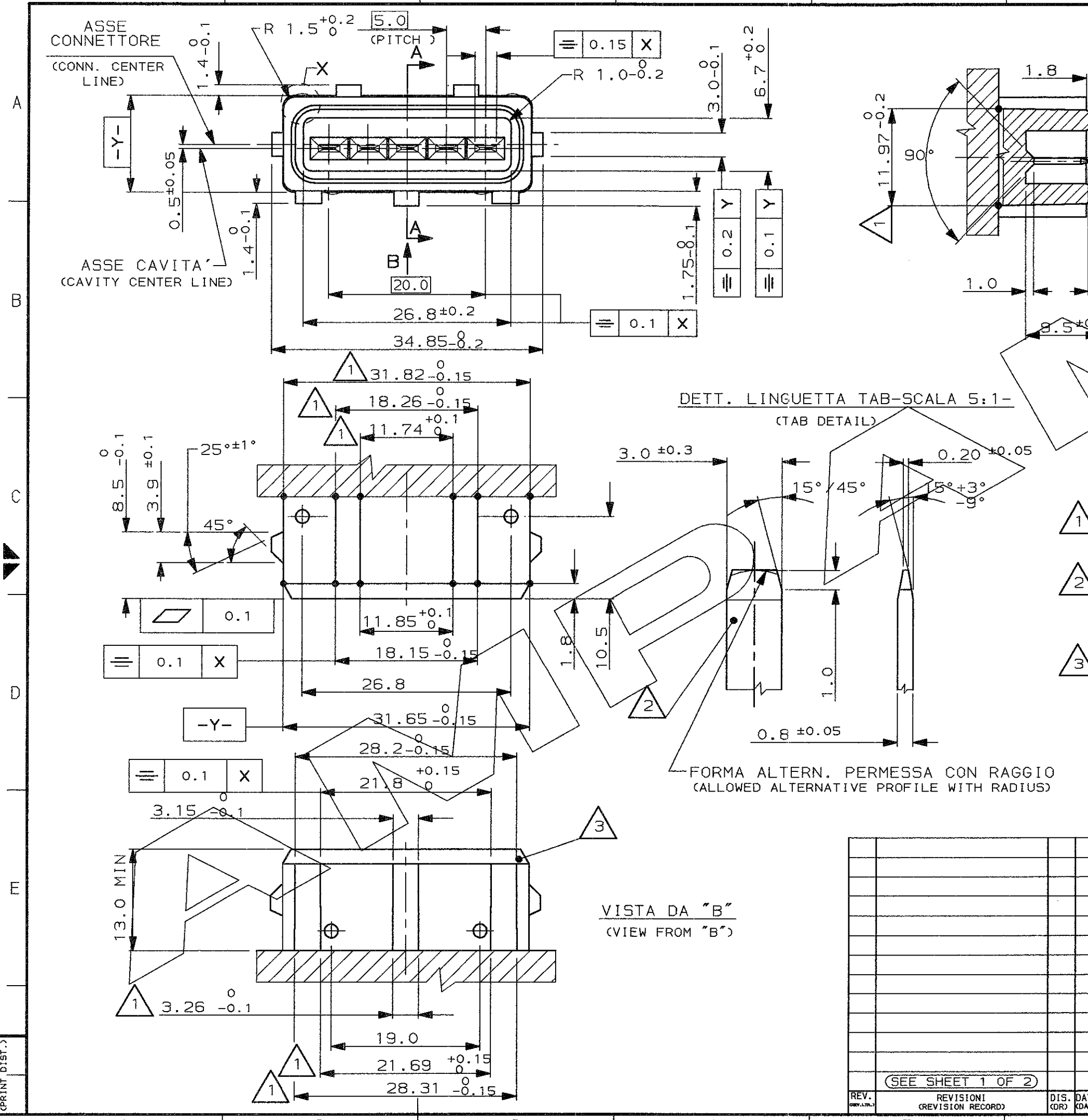
CUSTOMER DWG. FOR REFERENCE ONLY DISEGNO PER CLIENTE SOLO PER RIFERIMENTO

THIS DRAWING IS UNPUBLISHED RELEASE FOR PUBLICATION 19

© COPYRIGHT 19 BY AMP INCORPORATED, HARRISBURG, PA. ALL INTERNATIONAL RIGHT RESERVED. AMP PRODUCTS MAY BE COVERED BY U.S. AND FOREIGN PATENT AND/OR PATENT PENDING

| | | | |
|--|---|---|---------------------------|
| TOLLERANZE: SE NON DIVERSAMENTE SPECIFICATO (TOLERANCES: UNLESS OTHERWISE SPECIFIED) | DIAM. ISOLANTE (INS. DIA. RANGE) 1.5-3.0 (RED. INS. CABLE) | RANGO FILO (WIRE RANGE) 0.5-2.5 mm ² | SCALA (SCALE) --- |
| ± 0.3 | | | |
| ANGOLI (ANGLES) ± 2° | | | |
| DIS. 22 AUG 95 (DR.) A. BAJ | DESCRIZIONE (DESCRIPTION) 5 POS. SPLASH PROOF CONN. ASS'Y with SECONDARY LOCK | | |
| CONT. 22 AUG 95 (CHK) C. TARTARI | LOC. SIZE NUMERO (DWG NO) I A3 C-282766 | REV. DATA (DATE) E1 | FOLIO (SHEET) 1 DI (OF) 2 |

DISTRIBUZIONE (PRINT DIST.)



- 1 QUOTE APPLICABILI PER SFORMATURA PEZZO (DRAFT PERMITTED TO FACILITATE REMOVAL OF PART FROM THE MOULD)
- 2 MATERIALE LINGUETTE: LEGA DI RAME STAGNATA, ES. OTTONE STAGNATO. (TAB CONTACT MATERIAL: TIN PLATED COPPER ALLOY. E.G. BRASS TIN PLATED)
- 3 MATERIALE BLOCCHETTO: TERMOPLASTICO CARICATO FIBRA VETRO. (HOUSING MATERIAL: THERMOPLASTIC, GLASS FIBER FILLED)

| | | | | | |
|--|--|---|--|-------------------------|--|
| FINITURA / COLORE (FINISH / COLOUR) | | MATERIALE (MATERIAL) | | NUMERO (PART NUMBER) | |
| CUSTOMER DWG. FOR REFERENCE ONLY | | DISEGNO PER CLIENTE SOLO PER RIFERIMENTO | | 19 | |
| THIS DRAWING IS UNPUBLISHED | | RELEASE FOR PUBLICATION | | 19 | |
| © COPYRIGHT 19 BY AMP INCORPORATED, HARRISBURG, PA. ALL INTERNATIONAL RIGHT RESERVED. AMP PRODUCTS MAY BE COVERED BY U.S. AND FOREIGN PATENT AND/OR PATENT PENDING | | | | | |
| TOLLERANZE: SE NON DIVERSAMENTE SPECIFICATO (TOLERANCES: UNLESS OTHERWISE SPECIFIED) | | DIAM. ISOLANTE (INS. DIA. RANGE) | | RANGO FILO (WIRE RANGE) | |
| ± 0.3 | | SEE SHEET 1 OF 2 | | SEE SHEET 1 OF 2 | |
| ANGOLI (ANGLES) | | ± 2° | | SCALA (SCALE) | |
| DIS. (DR.) | | DESCRIZIONE (DESCRIPTION) | | | |
| CONT. (CHK) | | 5 POS. SPLASH PROOF CONN. ASS'Y with SECONDARY LOCK | | | |
| APP. (APP.) | | LOC. SIZE NUMERO (DWG NO) | | REV. FOGLIO (SHEET) | |
| SEE SHEET 1 OF 2 | | I A3 C-282766 | | E1 2 OF 2 | |
| REV. (REV.) | | REVISIONI (REVISION RECORD) | | DIS. DATA (DR) (DATE) | |

DISTRIBUZIONE (PRINT DIST.)