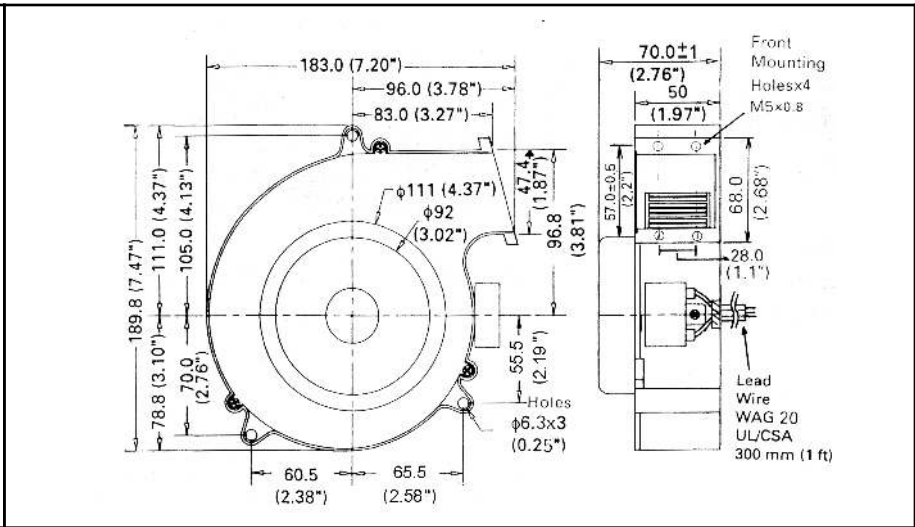


# OAB908 Side Inlet Blower



AC Blower, ball bearing, Dual Speed  
183x190x70mm (7.2"x 7.5"x 2.8")



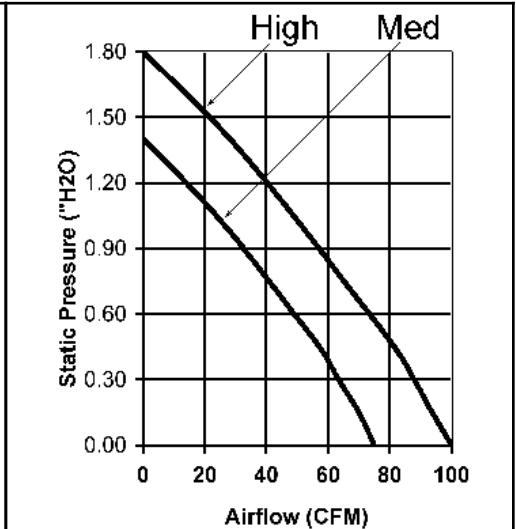
<b>Dual Speed Blower (High, Medium)</b>	
<b>Frame &amp; Impeller</b>	Aluminum die-cast shell with UL94V-0 impeller
<b>Connection</b>	Lead Wires
<b>Motor</b>	Single phase, capacitor induction, 2/4 pole, inner rotor, thermal protection - Frame: Aluminum die-cast, natural color treatment case, steel plate housing cover
<b>Bearing System</b>	Dual ball - sealed

**Operating Temp:** Ambient non-condensing allowable thermal range -20C~ +75C

**-L10 Life:** MTBF life test 80,000 hours at +45C, 40,000 hours at +60C

**-Dielectric Strength:** Over 1 min. at 1,500 VAC, 0.5mA, 50/60 Hz

**-Insulation Resistance:** Over 100 Mega Ohm at DC 500V

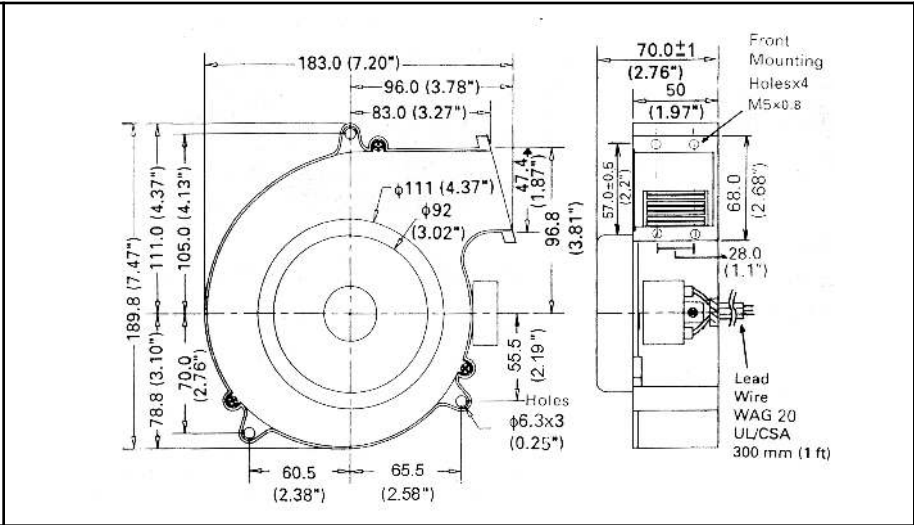


<b>Model Number</b>	OAB908AN-11-1/2
<b>Part Number</b>	264311060
<b>Nominal Voltage</b>	115 VAC
<b>Voltage Range</b>	100 ~ 125 VAC
<b>Rated Power</b>	80 W / 65 W
<b>Rated Speed (RPM)</b>	3100 / 2400
<b>Airflow (CFM)</b>	100 / 75
<b>Noise Level (dB)</b>	68 / 55
<b>Max. Static Pressure</b>	1.8 "H2O / 1.4 "H2O

# OAB908 Ultra Low Speed



AC Blower, ball bearing  
183x190x70mm (7.2"x 7.5"x 2.8")



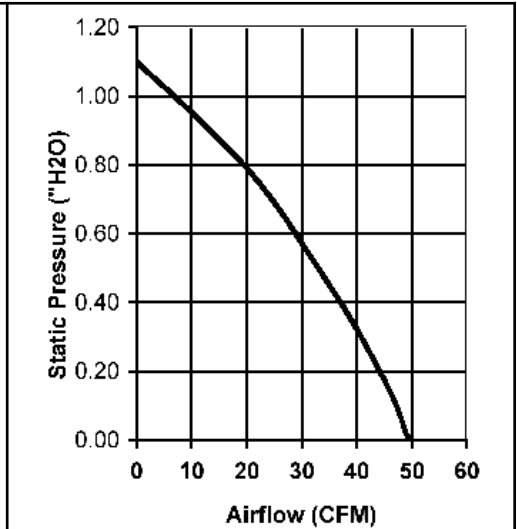
<b>Side Inlet Blower</b>	
<b>Frame &amp; Impeller</b>	Aluminum die-cast shell with UL94V-0 impeller
<b>Connection</b>	Lead Wires
<b>Motor</b>	Single phase, capacitor induction, 2/4 pole, inner rotor, thermal protection -Frame: Aluminum die-cast, natural color treatment case, steel plate housing cover
<b>Bearing System</b>	Dual ball - sealed

**Operating Temp:** Ambient non-condensing allowable thermal range -20C~+75C

**-L10 Life:** MTBF life test 80,000 hours at +45C, 40,000 hours at +60C

**-Dielectric Strength:** Over 1 min. at 1,500 VAC, 0.5mA, 50/60 Hz

**-Insulation Resistance:** Over 100 Mega Ohm at DC 500V

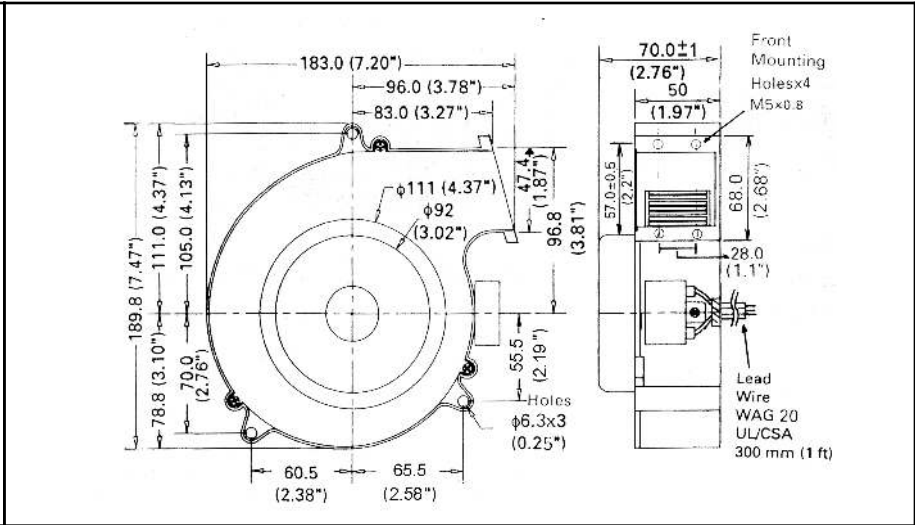


Model Number	OAB908AN-11-3	OAB908AN-22-3
Part Number	264331000	264631000
Nominal Voltage	115 VAC	230 VAC
Voltage Range	60 ~ 130	100 ~ 260
Rated Power	60 W	60 W
Rated Speed (RPM)	1000	1000
Airflow (CFM)	50	50
Noise Level (dB)	40	40
Max. Static Pressure	1.1 "H2O	1.1 "H2O

# OAB908 Side Inlet Blower



AC Blower, ball bearing, Dual Speed  
183x190x70mm (7.2"x 7.5"x 2.8")



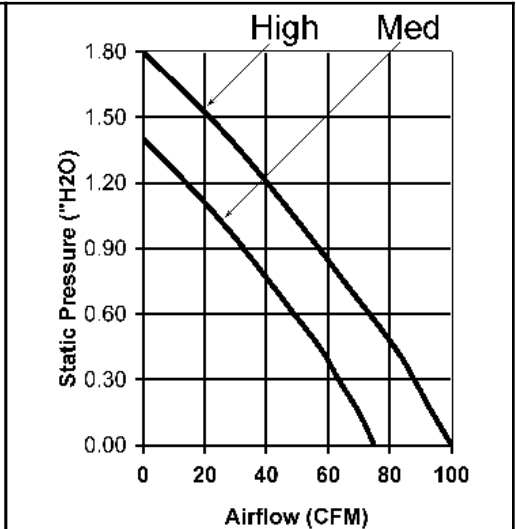
<b>Dual Speed Blower (High, Medium)</b>	
<b>Frame &amp; Impeller</b>	Aluminum die-cast shell with UL94V-0 impeller
<b>Connection</b>	Lead Wires
<b>Motor</b>	Single phase, capacitor induction, 2/4 pole, inner rotor, thermal protection - Frame: Aluminum die-cast, natural color treatment case, steel plate housing cover
<b>Bearing System</b>	Dual ball - sealed

**Operating Temp:** Ambient non-condensing allowable thermal range -20C~ +75C

**-L10 Life:** MTBF life test  
80,000 hours at +45C,  
40,000 hours at +60C

**-Dielectric Strength:** Over 1 min. at 1,500 VAC, 0.5mA, 50/60 Hz

**-Insulation Resistance:** Over 100 Mega Ohm at DC 500V

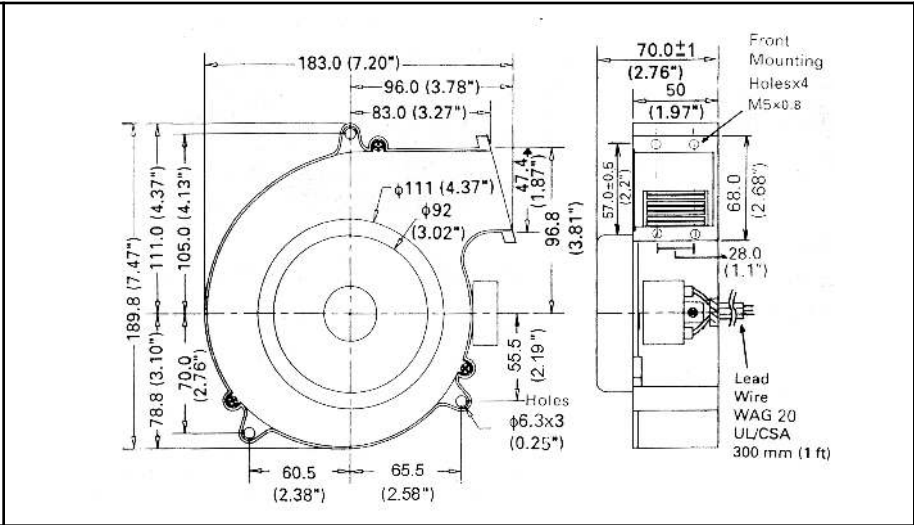


<b>Model Number</b>	OAB908AN-22-1/2
<b>Part Number</b>	264611060
<b>Nominal Voltage</b>	230 VAC
<b>Voltage Range</b>	200 ~ 240 VAC
<b>Rated Power</b>	80 W / 65 W
<b>Rated Speed (RPM)</b>	3100 / 2400
<b>Airflow (CFM)</b>	100 / 75
<b>Noise Level (dB)</b>	68 / 55
<b>Max. Static Pressure</b>	1.8 "H2O / 1.4 "H2O

# OAB908 Ultra Low Speed



AC Blower, ball bearing  
183x190x70mm (7.2"x 7.5"x 2.8")



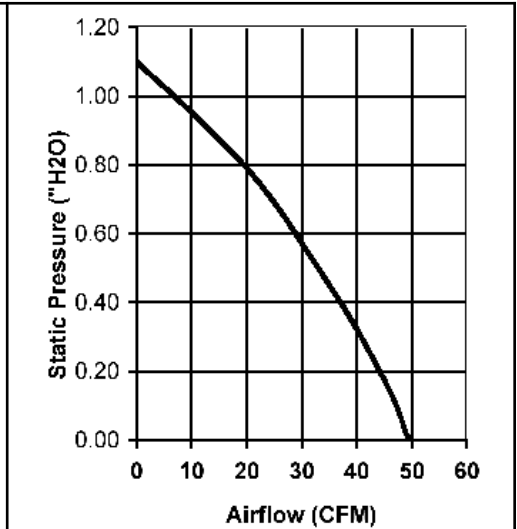
<b>Side Inlet Blower</b>	
<b>Frame &amp; Impeller</b>	Aluminum die-cast shell with UL94V-0 impeller
<b>Connection</b>	Lead Wires
<b>Motor</b>	Single phase, capacitor induction, 2/4 pole, inner rotor, thermal protection -Frame: Aluminum die-cast, natural color treatment case, steel plate housing cover
<b>Bearing System</b>	Dual ball - sealed

**Operating Temp:** Ambient non-condensing allowable thermal range -20C~+75C

**-L10 Life:** MTBF life test 80,000 hours at +45C, 40,000 hours at +60C

**-Dielectric Strength:** Over 1 min. at 1,500 VAC, 0.5mA, 50/60 Hz

**-Insulation Resistance:** Over 100 Mega Ohm at DC 500V



Model Number	OAB908AN-11-3	OAB908AN-22-3
Part Number	264331000	264631000
Nominal Voltage	115 VAC	230 VAC
Voltage Range	60 ~ 130	100 ~ 260
Rated Power	60 W	60 W
Rated Speed (RPM)	1000	1000
Airflow (CFM)	50	50
Noise Level (dB)	40	40
Max. Static Pressure	1.1 "H2O	1.1 "H2O