

DIMENSIONS IN INCHES (MILLIMETERS)
DO NOT SCALE DRAWING

Dwg. No.
GRSV-4011-0123 THRU -0127

PANEL PIERCING

MATERIAL:

- ROCKER KNOB- Polyester or Hi-Temp Nylon- Color Per Chart
- HOUSING- Polyester or Hi-Temp Nylon- Color Per Chart
- MOVING CONTACT- Copper alloy, Clear Chromate Finish
- SPRING- music wire
- PLUNGER- plated steel
- TERMINAL- Copper Alloy, Clear Chromate Finish

PERFORMANCE STANDARDS-

Endurance- 100,000 cycles, no load, minimum
25,000 cycles at rated load.

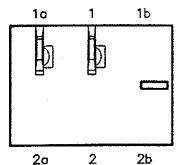
Contact Resistance- less than .01 Ohm at 10 mA (initial)
Operating Temperature- 105° C maximum
High Voltage Dielectric Withstanding Voltage- 2,500 V,
60 Hz for 1 minute between mounting
surface and circuit connections

HUMIDITY- Insulation resistance > 10³ MOhms after 100 hours
at 95% R.H. and 50° C followed by 1 hour dry
at ambient room conditions

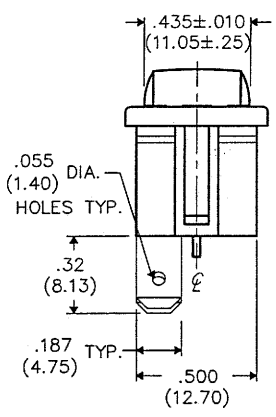
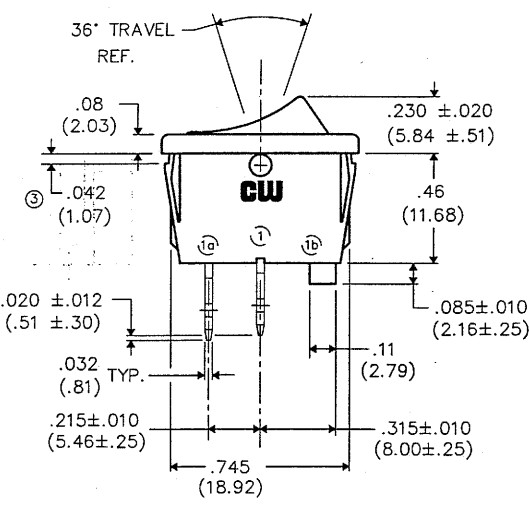
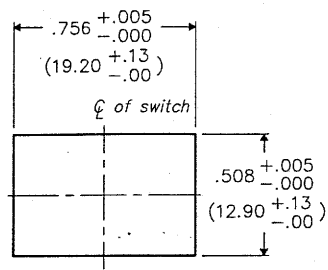
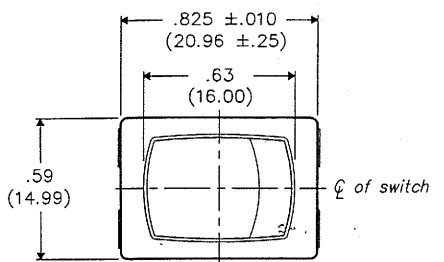
③ MOUNTING- Self locks without hardware when popped into
a .756"(19.20mm) x .508"(12.90mm) panel cutout.
Standard Panel thickness is .042"±.000" (1.07±0.00mm)
-.003" -.008"

CAUTION: Burr direction must be away from the direction
of insertion.

UL FILE NUMBER: E9556



**BOTTOM VIEW
(RELOCATED)**



ELECTROLUX #	CW #	COLOR CODE	COLOR	CIRCUIT	RATING	UL & CSA
316005602	GRSV-4011-0123		BLACK	SPST	8A 125V AC 4A 250V AC 3A 277V AC	APPROVED
316005607	GRSV-4011-0124		WHITE	SPST		
316261200	GRSV-4011-0125	EWC 7802 (CW Color # BK-000)	BLACK	SPST	13A 125V AC 10A 250V AC 5A 14V(T)	APPROVED
316261201	GRSV-4011-0126	EWC 7804 (CW Color # WT-901)	WHITE	SPST		
316261202	GRSV-4011-0127	EWC 7004 (CW Color # BN-129)	BISQUE	SPST		

1 2 3 4 5 6 7 8 9 10

B-FORMAT 2002
REVISIONS
3
REDRAWN. CLAW DIMENSION
WAS CHANGED FROM .075 TO
.042 IN MOUNTING NOTE. ADDED
.042 TO & UPDATED DWG.
D.G.W. 3-16-2007
GG MAR 15 2007

CW INDUSTRIES
Southampton, Pa. 18966

TOLERANCES UNLESS OTHERWISE SPECIFIED

2 Place Decimal ±.010	METRIC
3 Place Decimal ±.005	1 Place Dec. ±.25mm
Angles ±1°	2 Place Dec. ±.13mm

Made for: CW IND.
Drawn by: DGW 6-09-2004
Checked by: *G. Guld* 3-16-07
Approval: *H. P. Ryan* 3-16-07

**Title: ROCKER SWIDGET
ASSEMBLY
(POP IN)
S.P.- S.T.**

Division: **SWITCH**
Dwg. No. **GRSV-4011-0123 THRU -0127**

MASTER