

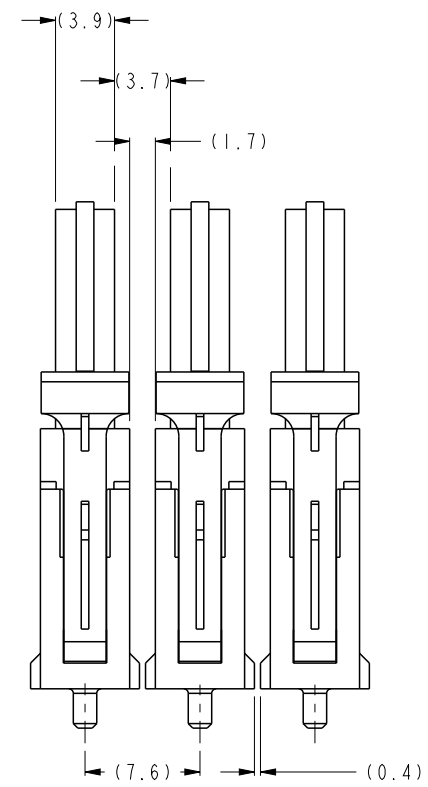
spec ref	*	dr	Nickor Zuo	2012/05/14	projection 	MM 	size	A4	scale	1:1
tolerance std	TOLERANCES UNLESS OTHERWISE SPECIFIED	eng	Nickor Zuo	2012/05/14			ecn no	-		
		chr	-	-			rel level	Released		
surface	<input checked="" type="checkbox"/> linear <input type="checkbox"/> angular	0.X ±0.38 0.XX ±0.25 0.XXX ±0.13 0° ±°	 www.fci.com	title DDR3 DIMM LSP VERTICAL P/F, 240 PINS, RDIMM, LLCR	cat. no. *	product family Product - Customer Drw	dwg no 10120194	rev A	sheet 1 of 5	



Copyright FCI.



Copyright FCI.



MINIMUM ROW TO ROW SPACING RECOMMENDATION
(USING 4.00MM MODULE CARD)

NOTES:

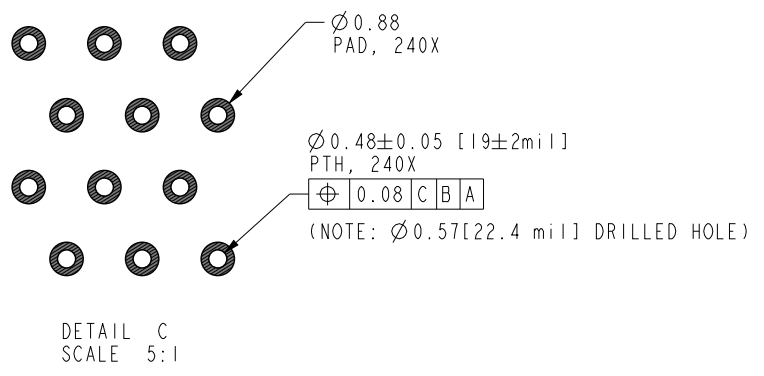
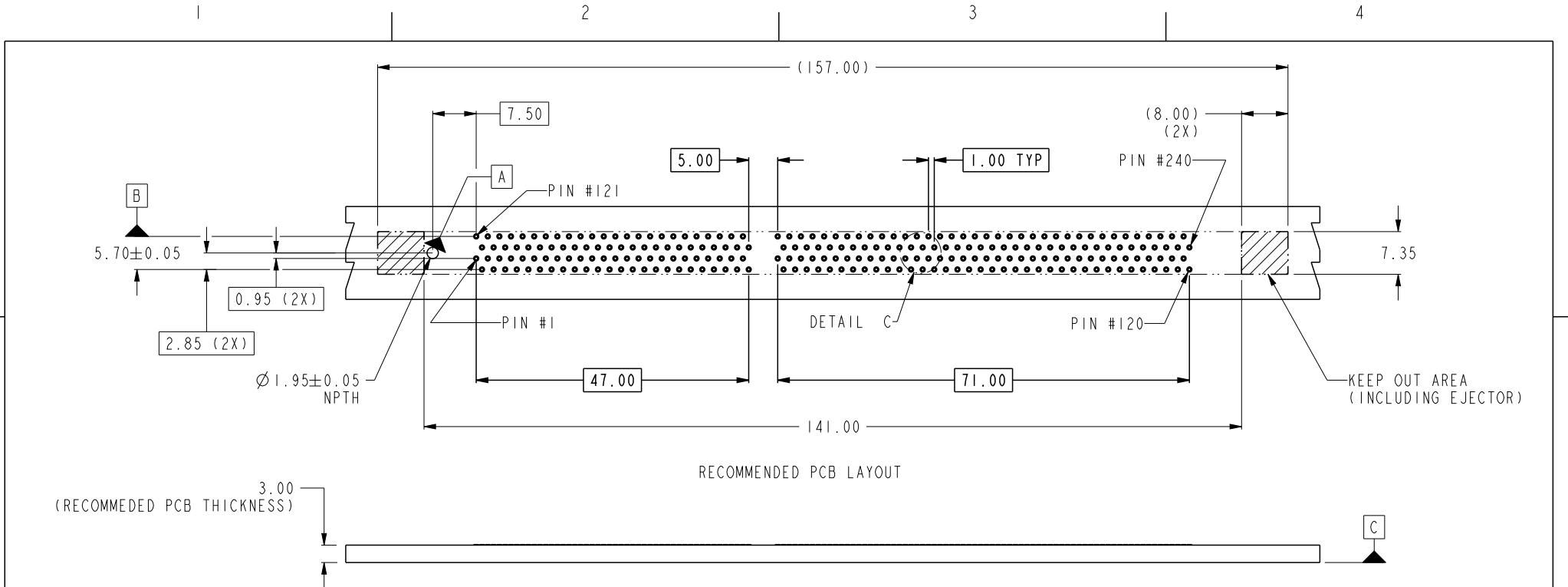
- MATERIAL:
HOUSING: HIGH PERFORMANCE RESINS, GLASS FILLED UL94V-0 RATED.
EJECTOR: HIGH PERFORMANCE RESINS, GLASS FILLED UL94V-0 RATED.
TERMINAL: COPPER ALLOY.
TERMINAL FINISH: REFER TO TABLE ON SHEET 5.
- DATE CODE FORMATE IS "MMDDYYL", PROCESSED BY INK PRINTING OR LASER MARKING.
"MMDDYY": MONTH-DATE-YEAR, DENOTE THE ASSEMBLY DATE.
"L": FCI PRODUCTION LINE.
- PRODUCT SPECIFICATION: GS-12-0924.
- PACKAGING SPECIFICATION: GS-14-528.
- CARD SLOT ACCEPTS 1.27 +/- 0.10MM MODULE THICKNESS.
(MEASURED FROM PC PADS)
- KEEP OUT ZONE RESERVED FOR EJECTOR.
- LEAD FREE PRODUCT MEETS EUROPEAN UNION DIRECTIVES AND OTHER COUNTRY REGULATIONS AS DESCRIBED IN GS-22-008.

spec ref *		dr Nickor Zuo		2012/05/14		projection 	MM ←→	size	A4	scale	1:1
tolerance std		eng Nickor Zuo		2012/05/14				ecn no		-	
TOLERANCES UNLESS OTHERWISE SPECIFIED		chr -		-				rel level		Released	
appr Collins Lu		2012/05/14		product family				rev		A	
surface ✓	linear	0.X	±0.38	FCI	title DDR3 DIMM LSP VERTICAL P/F, 240 PINS, RDIMM, LLCR			dwg no 10120194		sheet 2 of 5	
		0.XX	±0.25								
		0.XXX	±0.13								
angular	0°	±°	www.fci.com	cat. no.	*	Product - Customer Drw					

PrdE File - REV C - 2009-06-09



Copyright FCI.



spec ref	*	dr	Nickor Zuo	2012/05/14	projection	MM ←→	size	A4	scale	1:1
tolerance std	TOLERANCES UNLESS OTHERWISE SPECIFIED	eng	Nickor Zuo	2012/05/14			ecn no	-		
		chr	-	-						
surface	<input checked="" type="checkbox"/>	linear	0.X	±0.38	product family	rel level	Released			
			0.XX	±0.25						
			0.XXX	±0.13						
angular	0°	±°	product family	rel level	Released					
				title DDR3 DIMM LSP VERTICAL P/F, 240 PINS, RDIMM, LLCR		dwg no 10120194		rev A		
		www.fci.com		cat. no.		Product - Customer Drw		sheet 4 of 5		

PrdE File - REV C - 2009-06-09

1

2

3

4

A

A

PART NUMBER	PLATING OPTION		HOUSING COLOR	EJECTOR COLOR
	CONTACT AREA	TAIL AREA		
10120194-001LF	PERFORMANCE BASED PLATING MEET PRODUCT SPECIFICATION REQUIREMENT (30 MICROINCH GXT OR GOLD)	0.38~1.52 MICROMETER [15~60 MICROINCH] MATTE TIN OVER 1.27 MICROMETER [50 MICROINCH] MIN. NICKEL UNDERPLATE	BLACK	BLACK
10120194-002LF			BLUE	BLUE
10120194-003LF			IVORY	IVORY
10120194-004LF			BLACK	IVORY

B

B



C

C

Copyright FCI.

D

D

spec ref	*	dr	Nickor Zuo	2012/05/14	projection		size	A4	scale	1:1	
tolerance std	TOLERANCES UNLESS OTHERWISE SPECIFIED	eng	Nickor Zuo	2012/05/14			ecn no	-			
		chr	-	-				rel level	Released		
surface		linear	0.X	±0.38			title DDR3 DIMM LSP VERTICAL P/F, 240 PINS, RDIMM, LLCR		dwg no 10120194	rev A	www.fci.com
		0.XX	±0.25	cat. no.	*			Product - Customer Drw			sheet 5 of 5
	angular	0°	±°								

PrdE File - REV C - 2009-06-09

2

3

PDS: Rev :A

STATUS:Released

Printed: May 14, 2012