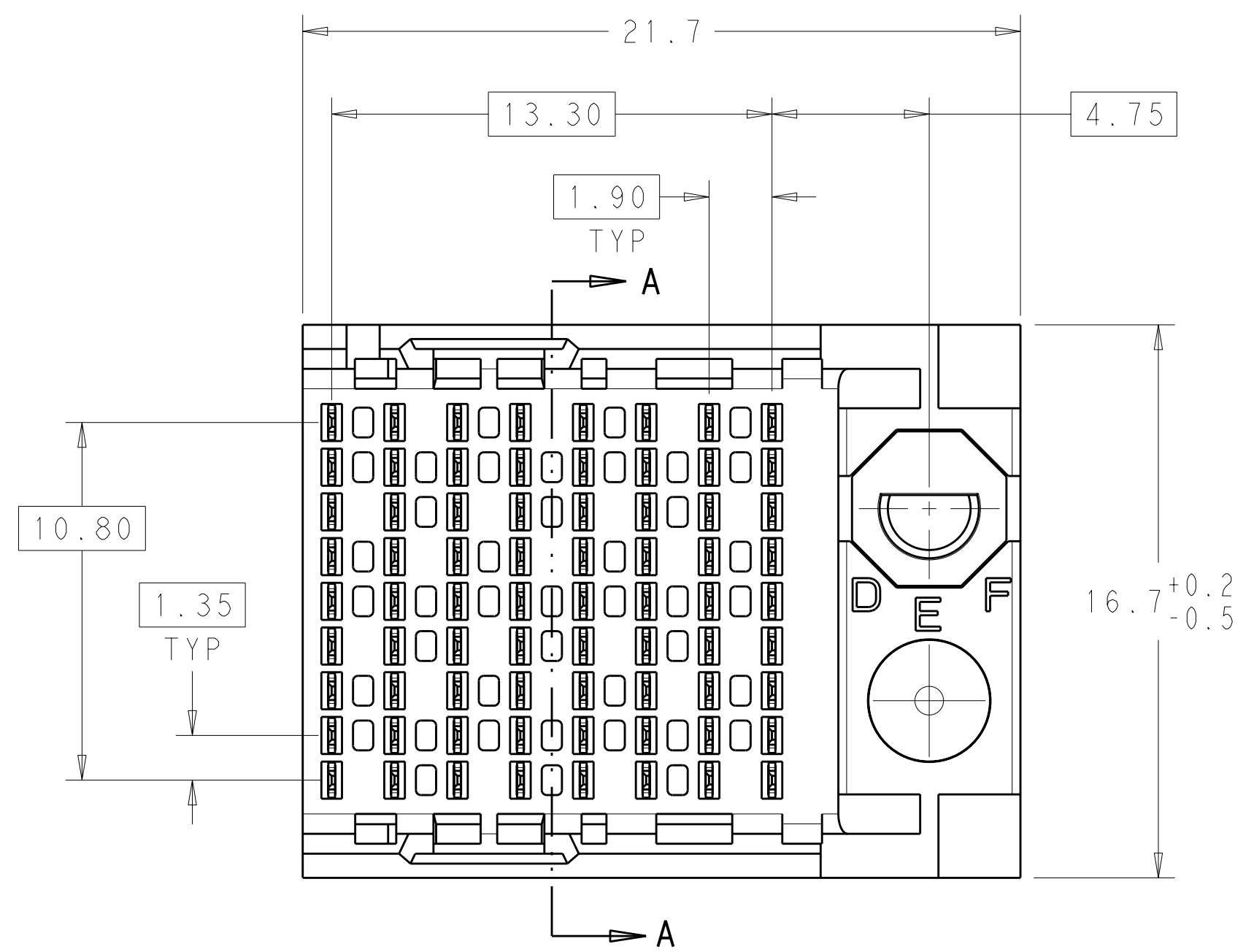
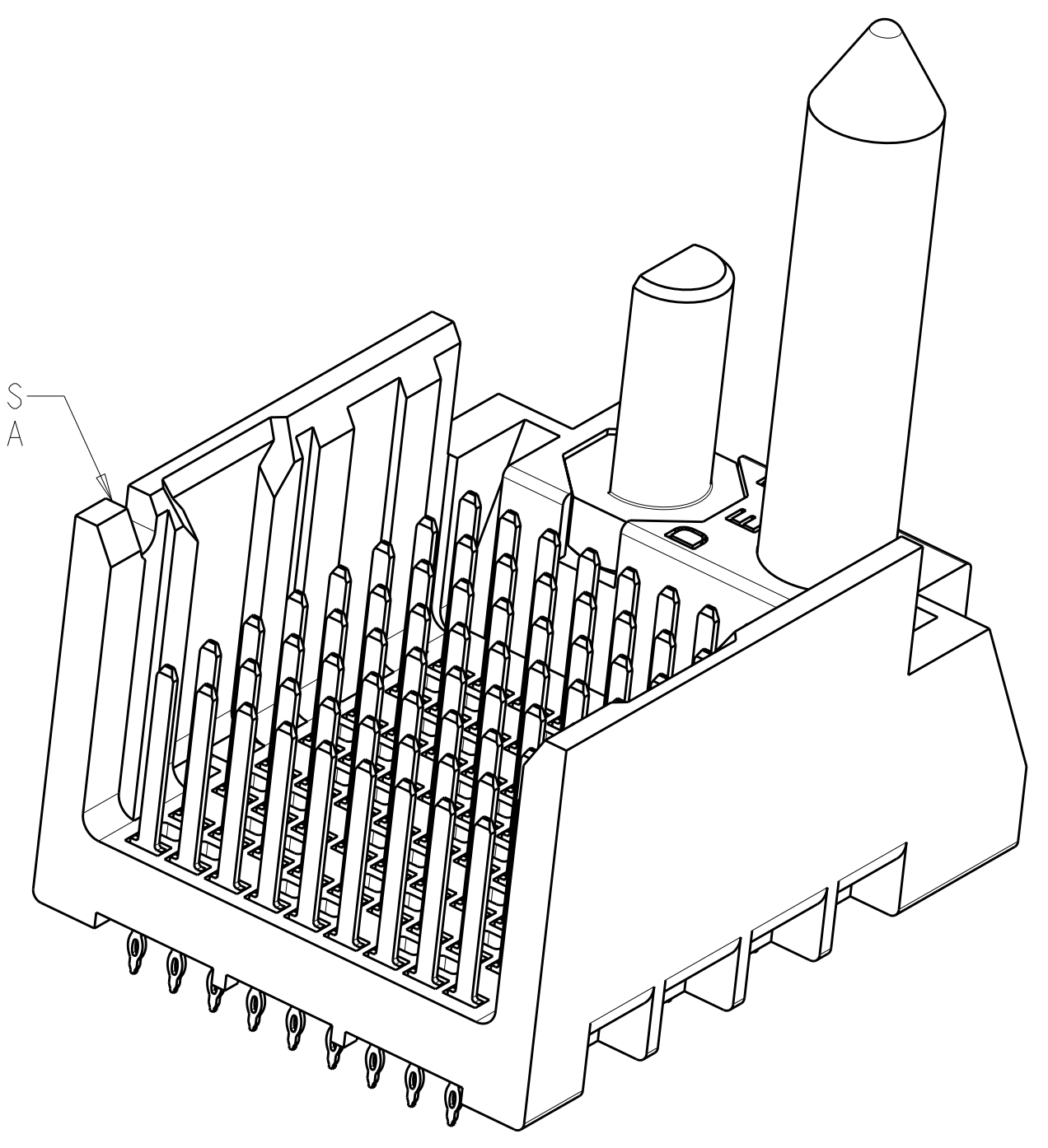


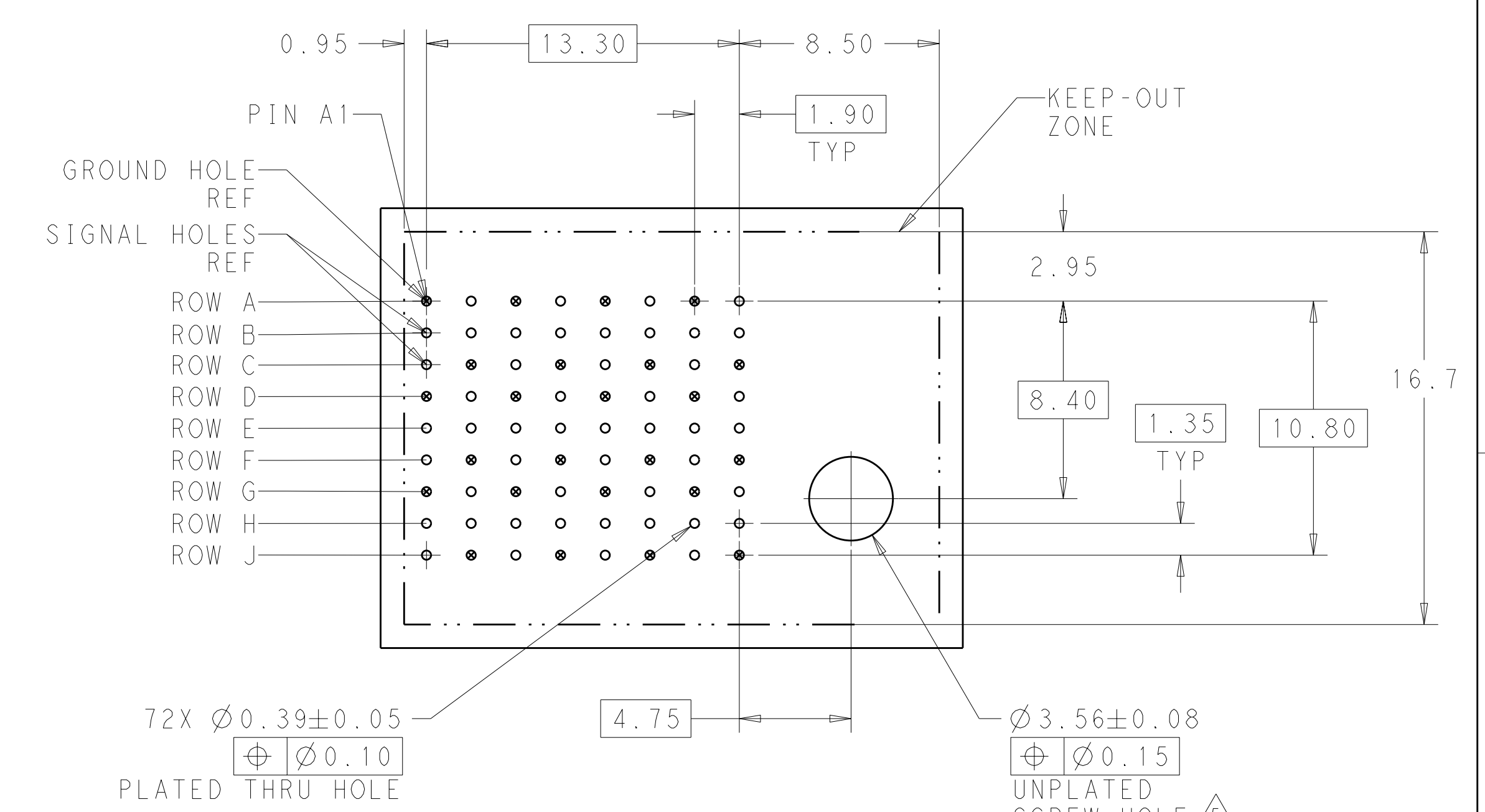
LOC	DIST	REV	DATE	BY	APPD
AD	00	C	05JAN12	KH	DY



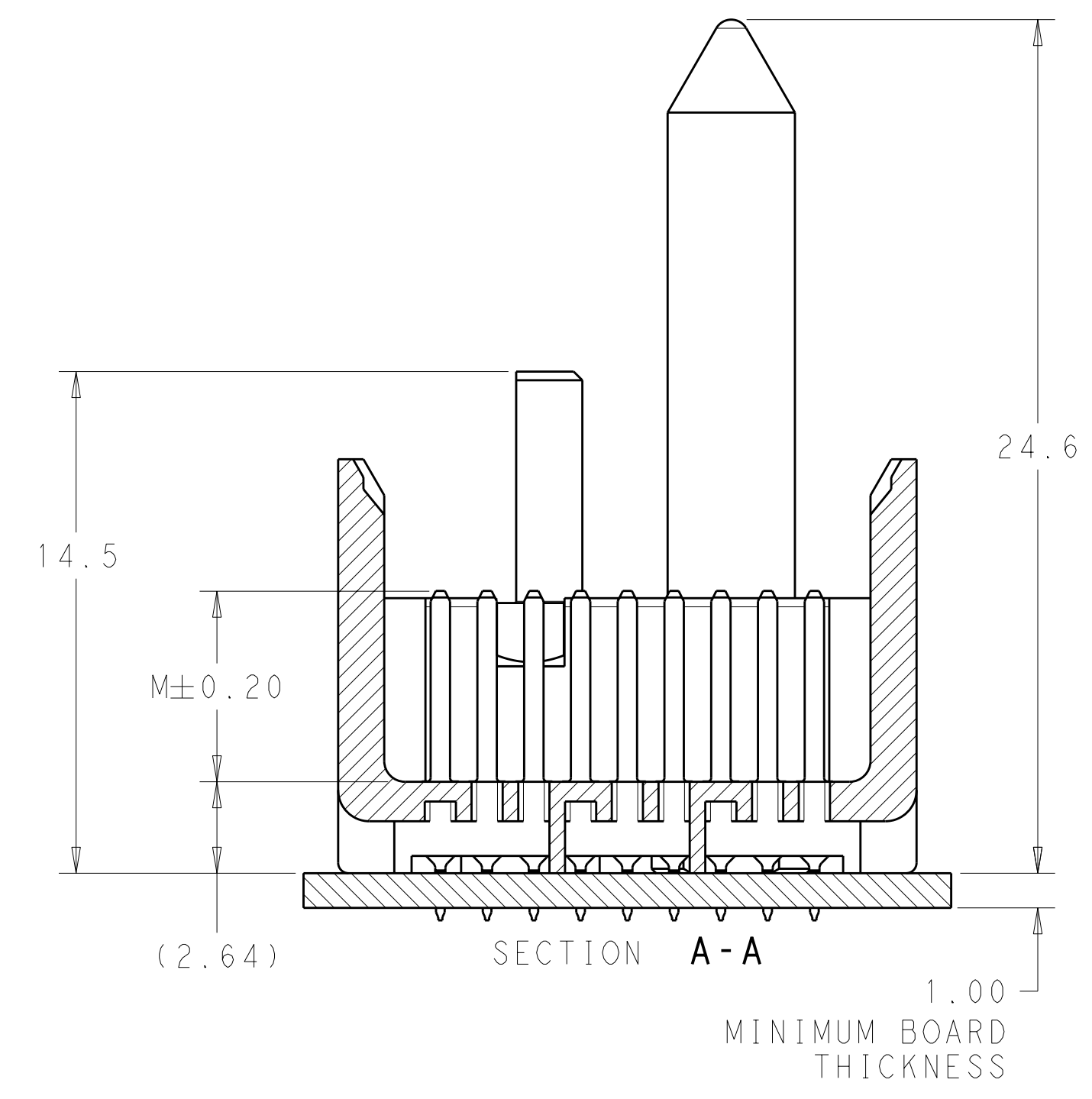
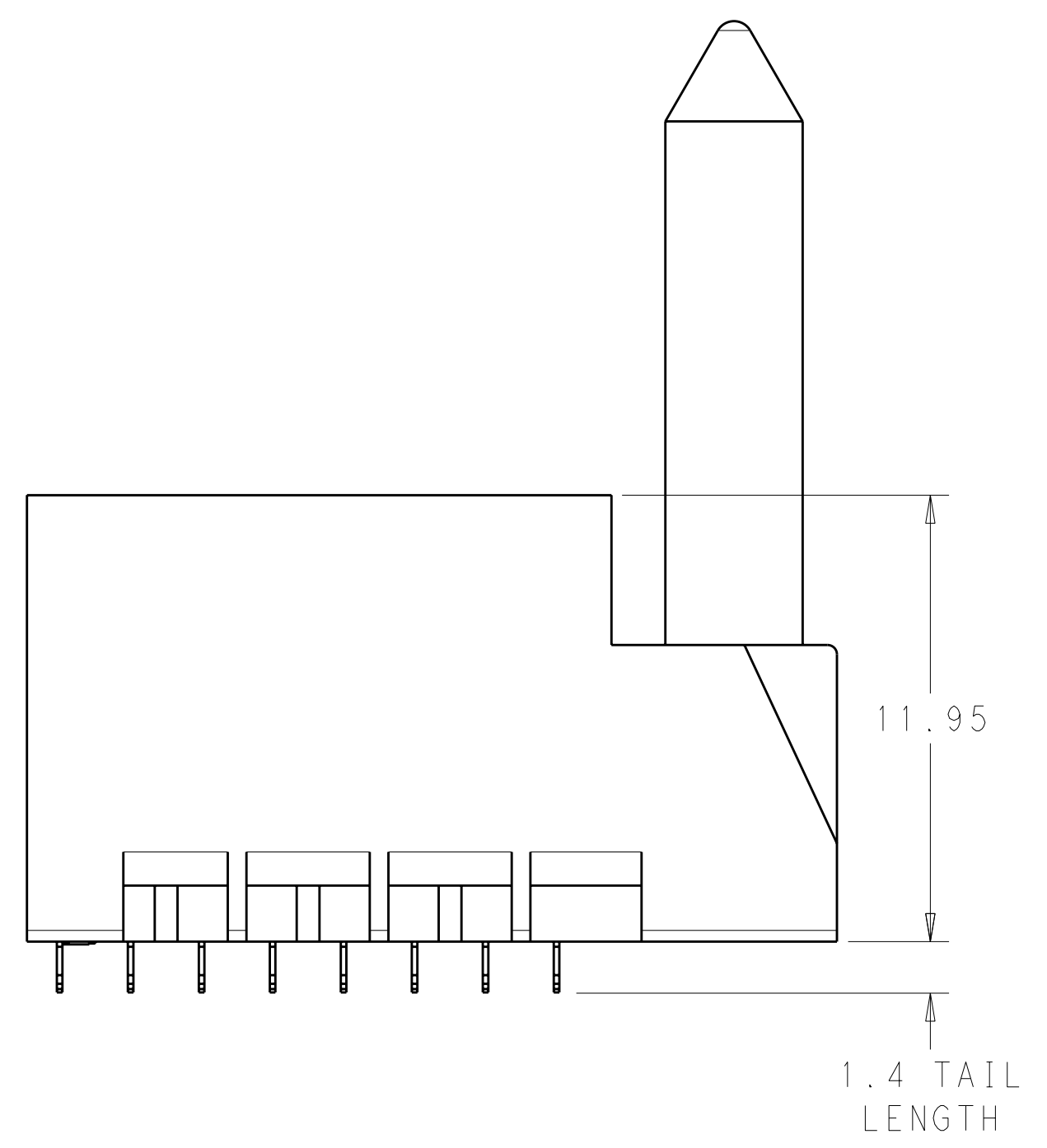
NOTCH DESIGNATES ROW A



- 1 MATERIAL:
HOUSING: LCP, GLASS FILLED, UL94V-0.
TERMINALS: HIGH PERFORMANCE COPPER ALLOY.
- 2 FINISH:
30µ" MIN GOLD IN CONTACT AREA. SELECTIVE TIN ON PCB TAILS, NICKEL OVERALL.
- 3 FINISH:
30µ" MIN GOLD IN CONTACT AREA. SELECTIVE TIN-LEAD ON PCB TAILS, NICKEL OVERALL.
- 4. SCREWS PACKAGED IN END OF PACKAGING TUBE.
- 5 FOR GROUNDED GUIDE PIN USE $\varnothing 3.56 \pm 0.08$ PTH, $\varnothing 3.66$ DRILL, AND $\varnothing 6.5$ PAD.
- 6. KEYING PIN SHOWN IN POSITION A, SEE KEYING CHART ON SHEET 2 FOR OTHER POSITIONS.



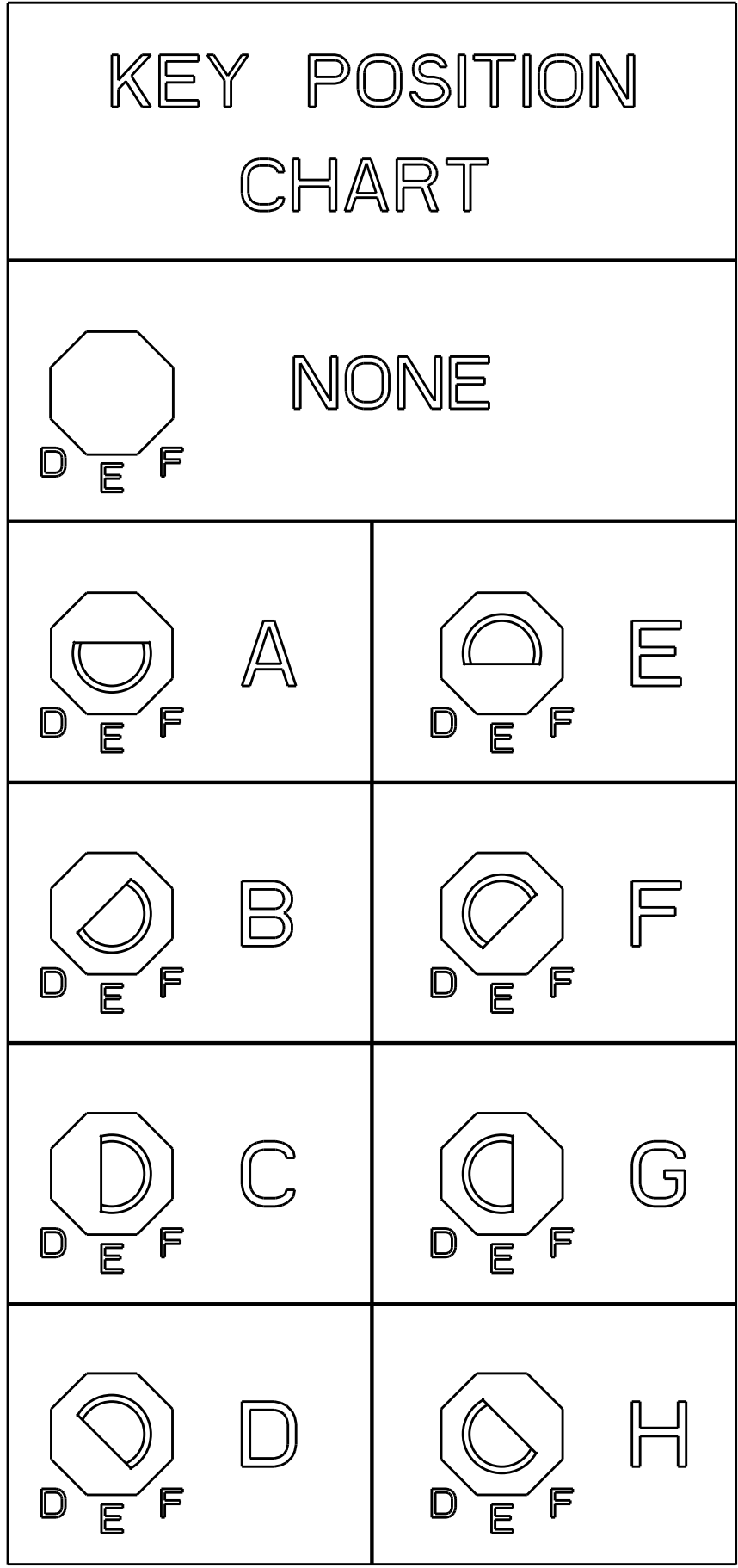
RIGHT GUIDED BACKPLANE HOLE PATTERN (CONNECTOR SIDE)



THIS DRAWING IS A CONTROLLED DOCUMENT.		DWN J. K. SHOBER 11JAN2011	TE Connectivity
DIMENSIONS: mm		CHK J. EABY 11JAN2011	
TOLERANCES UNLESS OTHERWISE SPECIFIED:		APVD J. EABY 11JAN2011	NAME IMPACT, 3 PAIR, 8 COLUMN, HEADER
9 PLC ±0.25		PRODUCT SPEC	RIGHT GUIDED, OPEN END WALL
1 PLC ±0.13		APPLICATION SPEC	SIGNAL MODULE, 0.39 PTH
3 PLC ±		SIZE CAGE CODE DRAWING NO	RESTRICTED TO
4 PLC ±		WEIGHT	A100779C=2057757
ANGLES ±		CUSTOMER DRAWING	SCALE 6:1 SHEET 1 OF 2 REV C
FINISH SEE TABLE			

LOC		DIST		REVISIONS			
AD	00	P	LTB	DESCRIPTION	DATE	DWN	APVD
				SEE SHEET 1			

3	H	5.5	8-2057757-6
3	H	4.9	8-2057757-5
3	H	4.5	8-2057757-4
2	H	5.5	8-2057757-3
2	H	4.9	8-2057757-2
2	H	4.5	8-2057757-1
3	G	5.5	7-2057757-6
3	G	4.9	7-2057757-5
3	G	4.5	7-2057757-4
2	G	5.5	7-2057757-3
2	G	4.9	7-2057757-2
2	G	4.5	7-2057757-1
3	F	5.5	6-2057757-6
3	F	4.9	6-2057757-5
3	F	4.5	6-2057757-4
2	F	5.5	6-2057757-3
2	F	4.9	6-2057757-2
2	F	4.5	6-2057757-1
3	E	5.5	5-2057757-6
3	E	4.9	5-2057757-5
3	E	4.5	5-2057757-4
2	E	5.5	5-2057757-3
2	E	4.9	5-2057757-2
2	E	4.5	5-2057757-1
3	D	5.5	4-2057757-6
3	D	4.9	4-2057757-5
3	D	4.5	4-2057757-4
2	D	5.5	4-2057757-3
2	D	4.9	4-2057757-2
2	D	4.5	4-2057757-1
3	C	5.5	3-2057757-6
3	C	4.9	3-2057757-5
3	C	4.5	3-2057757-4
2	C	5.5	3-2057757-3
2	C	4.9	3-2057757-2
2	C	4.5	3-2057757-1
3	B	5.5	2-2057757-6
3	B	4.9	2-2057757-5
3	B	4.5	2-2057757-4
2	B	5.5	2-2057757-3
2	B	4.9	2-2057757-2
2	B	4.5	2-2057757-1
3	A	5.5	1-2057757-6
3	A	4.9	1-2057757-5
3	A	4.5	1-2057757-4
2	A	5.5	1-2057757-3
2	A	4.9	1-2057757-2
2	A	4.5	1-2057757-1
3	-	5.5	2057757-6
3	-	4.9	2057757-5
3	-	4.5	2057757-4
2	-	5.5	2057757-3
2	-	4.9	2057757-2
2	-	4.5	2057757-1
FINISH	KEY POSITION	DIM M	PART NUMBER



REFER TO WWW.TE.COM
FOR PRODUCT AVAILABILITY

THIS DRAWING IS A CONTROLLED DOCUMENT.		DWN J. K. SHOBER 11JAN2011	STE TE Connectivity
DIMENSIONS: mm		CHK J. EARY 11JAN2011	
TOLERANCES UNLESS OTHERWISE SPECIFIED: 9 PLC ±0.25 5 PLC ±0.13 4 PLC ± ANGLES ±		APVD J. EARY 11JAN2011	NAME IMPACT, 3 PAIR, 8 COLUMN, HEADER RIGHT GUIDED, OPEN END WALL SIGNAL MODULE, 0.39 PTH
MATERIAL SEE TABLE		PRODUCT SPEC APPLICATION SPEC WEIGHT CUSTOMER DRAWING	RESTRICTED TO A100779C=2057757 SCALE 5:1 SHEET 2 OF 2 REV C