

**Technical specification:**

Rated voltage: IEC 61076-2-101	6pos 30 V
Current rating: IEC 61076-2-101	2 A at 40°C
Insulation resistance: IEC 60512	>=100 MΩ
Pollution degree: IEC 60664-1	3/2
Degree of protection: IEC 60529	IP 67, in mated condition
Temperature range: IEC 60664-1	-30°C ... +80°C
Mating cycles: IEC 60512-9a	>=100

**Materials:**

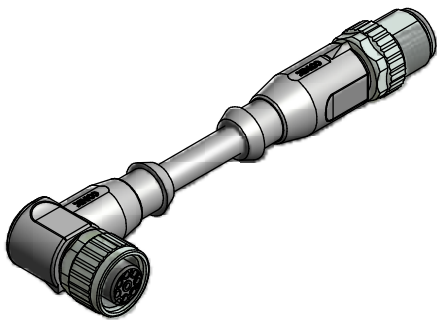
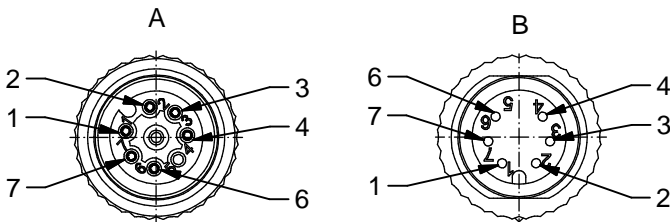
Contact:	CuZn
Contact plating:	Nickel, gold plated
Contact carrier:	TPU GF, UL 94
Sealing:	FPM
Coupling nut/ screw:	GD-Zn, nickel plated
Moulding body:	TPU, UL 94, grey

**Installation specification:**

Recommended torque:	0,6 Nm
Conec installation tool:	Torque wrench: 36-000200 Insert across flats 13: 36-000220

**Contact assignment:**

1) brown	4) black
2) white	6) grey
3) blue	7) pink



Part no:	Description:	Length L:	Cable:
43-11082	SAL - 12 - RKW6 - RS6 - 0,3 / A1	0,3m	PVC, grey, 6x0,25mm <sup>2</sup> Cable: 781-A12600
43-11083	SAL - 12 - RKW6 - RS6 - 0,6 / A1	0,6m	
43-11084	SAL - 12 - RKW6 - RS6 - 1,5 / A1	1,5m	
43-11085	SAL - 12 - RKW6 - RS6 - 3,0 / A1	3m	
43-xxxxx	SAL - 12 - RKW6 - RS6 - ... / A1	x	

D see data sheet cable

DO NOT ALTER CAD DRAWING BY HAND	Directive 2002/95/EC RoHS compliant	Index: a 03.02.2011 VF Ä3767 Coupling nut/ screw modified, spanner flats added, data sheet modified	dim. in mm	<b>title:</b> Connecting cable M12x1, female connector angled - male connector axial									
		tolerance of cable: L ≤ 4m: L + 40mm L > 4m: L + 1%			<table border="1" style="width: 100%; border-collapse: collapse;"> <tr> <td></td> <td>date</td> <td>name</td> </tr> <tr> <td>drawn</td> <td>14.03.07</td> <td>Burschik</td> </tr> <tr> <td>appd.</td> <td>14.03.07</td> <td>Mankopf</td> </tr> </table>		date	name	drawn	14.03.07	Burschik	appd.	14.03.07
			date		name								
		drawn	14.03.07		Burschik								
appd.	14.03.07	Mankopf											
	<b>dwg no:</b> <span style="font-size: 1.2em;">43K1A467</span>												
	<b>part no:</b> <span style="font-size: 1.2em;">see table</span>												