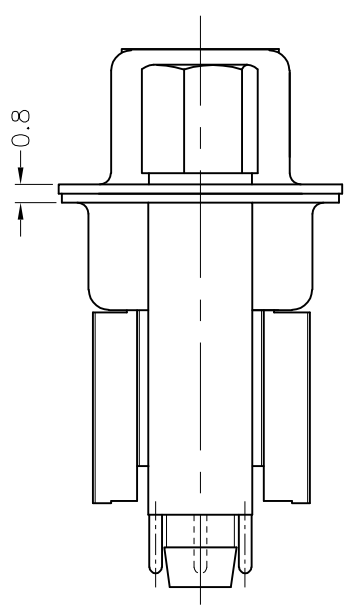
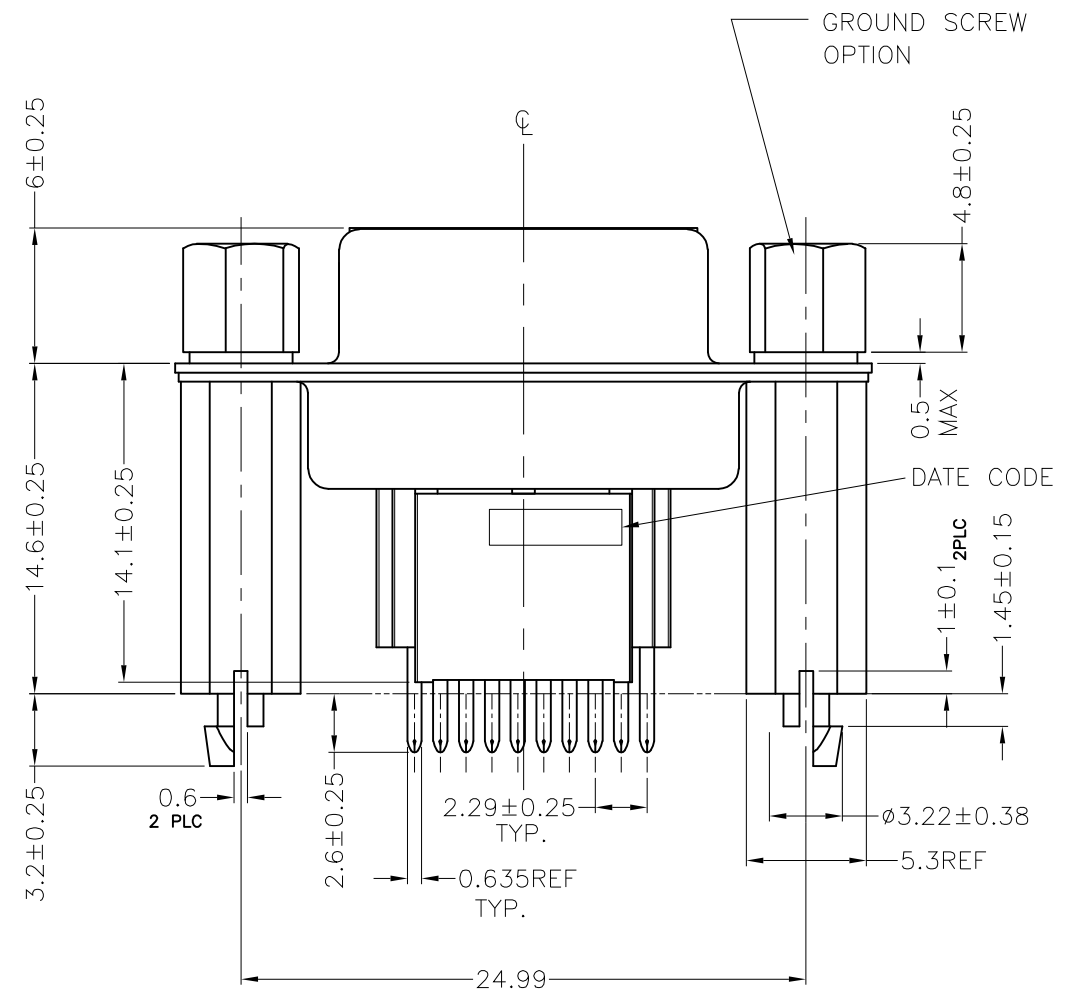
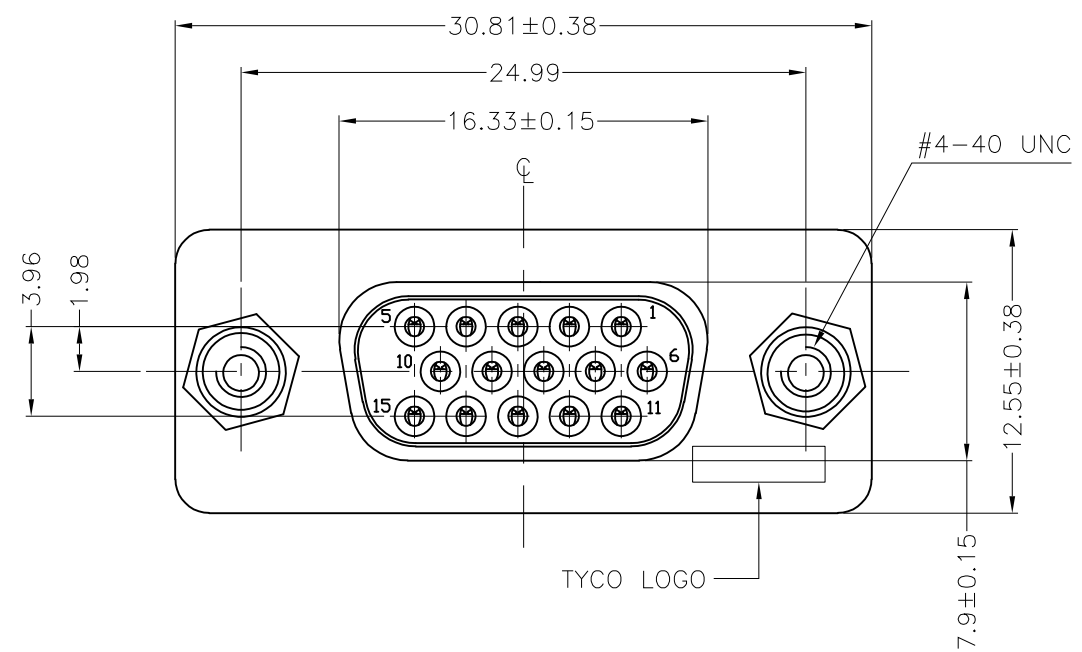


THIS DRAWING IS UNPUBLISHED. RELEASED FOR PUBLICATION  
 © COPYRIGHT - By - ALL RIGHTS RESERVED.

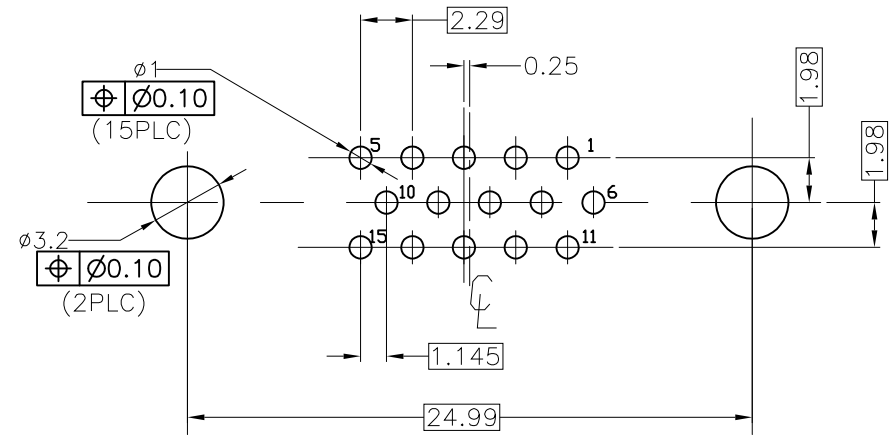
LOC	DIST	REVISIONS					
		P	LTR	DESCRIPTION	DATE	DWN	APVD
ES	00		D	REV PER ECR-13-019933	15JAN2014	B.L	J.L



**OBSOLETE**

NOTES:

- △ MATERIAL:
  - HOUSING: THERMOPLASTIC, UL94V-0, BLACK COLOR
  - CONTACT: COPPER ALLOY
  - BOARDLOCK: STEEL
  - GROUNDING SCREW : STEEL
  - FRONT SHELL : CARBON STEEL
  - REAR SHELL : CARBON STEEL
- △ FINISH:
  - CONTACT : GOLD FLASH ON CONTACT AREA.
  - TIN PLATING ON SOLERDTAILS.
  - NICKEL UNDERPLATING OVERALL.
  - SHELL : TIN PLATING.
  - BOARD LOCK : TIN PLATING.
  - GROUDING SCREW : NICKEL PLATING.
- 3. RECOMMENDED PCB THICKNESS : 1.6mm



RECOMMENDED P.C.B. LAYOUT  
 PCB TOLERANCE: ±0.05

-1 AS SHOWN

THIS DRAWING IS A CONTROLLED DOCUMENT.		DWN	30JUN06	TE Connectivity	
		Tony Zhang			
		CHK	30JUN06	CUSTOMER DRAWING RECEPTACLE VERTICAL 15P AMPLIMITE	
		Gavin Zhang			
		APVD	30JUN06	NAME CUSTOMER DRAWING RECEPTACLE VERTICAL 15P AMPLIMITE	
		Seteven Yao			
DIMENSIONS: mm		TOLERANCES UNLESS OTHERWISE SPECIFIED:		APPLICATION SPEC	
		0 PLC	± 0.5	PRODUCT SPEC	
		1 PLC	± 0.3	-	
		2 PLC	± 0.2	APPLICATION SPEC	
		3 PLC	± -	-	
		4 PLC	± -	WEIGHT	
MATERIAL		FINISH		SIZE	
△		△		A3 00779 C-292469	
CUSTOMER DRAWING				SCALE	2:1
				SHEET	1 of 2
				REV	D

4

3

2

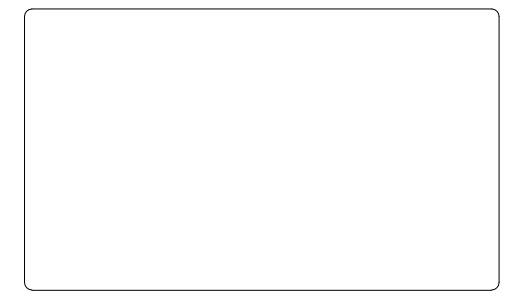
1

THIS DRAWING IS UNPUBLISHED.      RELEASED FOR PUBLICATION      - , - .  
 © COPYRIGHT - By -      ALL RIGHTS RESERVED.

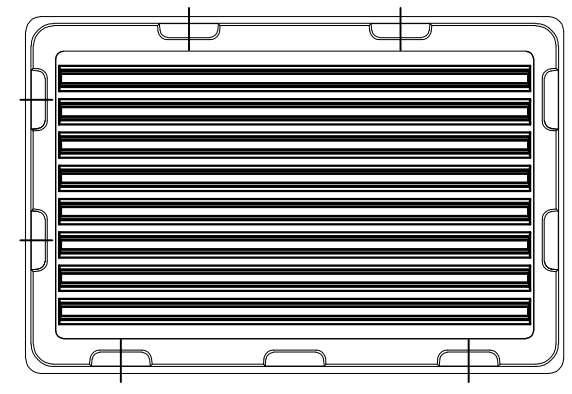
LOC	DIST	REVISIONS					
		P	LTR	DESCRIPTION	DATE	DWN	APVD
ES	00		-	SEE SHEET 1	-	-	-

NOTES:

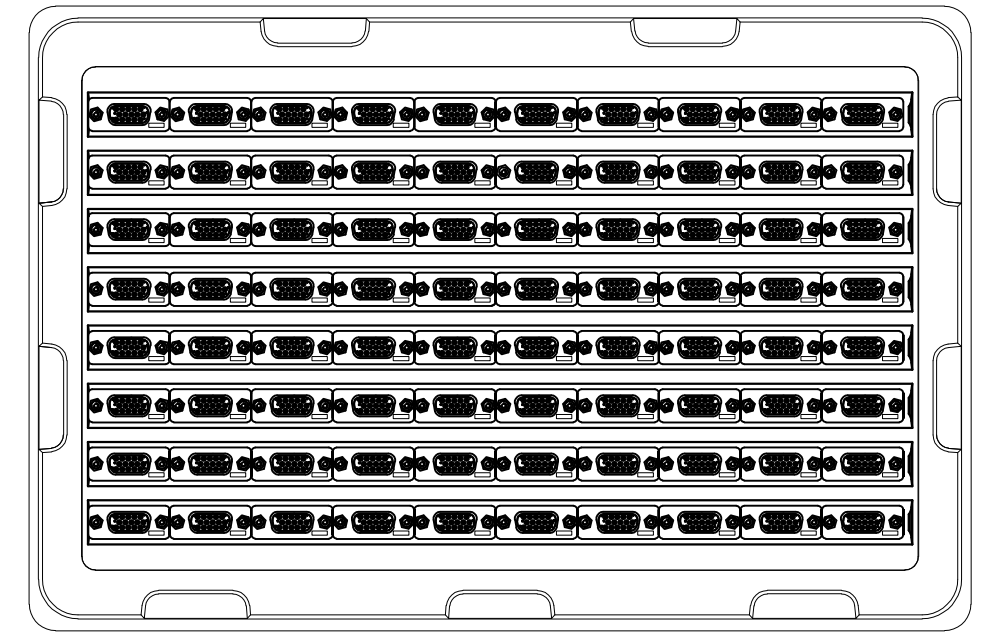
- 1 DIMENSION :  
 TRAY : L=356, W=236, H=30  
 SHIPPING BOX : L=370, W=250, H=225
- 2 QYANTITY :  
 80 PCS/TRAY  
 8 TRAYS/SHIPPING BOX(=640 PCS)
- 3 WEIGHT :  
 N.W. : 7.2 KG/ SHIPPING BOX  
 G.W. : 9.28 KG/ SHIPPING BOX




TOP COVER



TRAY



TRAY LAYOUT

THIS DRAWING IS A CONTROLLED DOCUMENT.		DWN Tony Zhang	30JUN06	 TE Connectivity			
DIMENSIONS: mm		CHK Gavin Zhang	30JUN06				
TOLERANCES UNLESS OTHERWISE SPECIFIED:		APVD Seteven Yao	30JUN06	NAME CUSTOMER DRAWING			
0 PLC ± 0.5 1 PLC ± 0.3 2 PLC ± 0.2 3 PLC ± - 4 PLC ± - ANGLES ± 1°		PRODUCT SPEC -		RECEPTACLE VERTICAL 15P AMPLIMITE			
MATERIAL		APPLICATION SPEC -		SIZE	CAGE CODE	DRAWING NO	RESTRICTED TO
FINISH		WEIGHT -		A3	00779	C-292469	-
CUSTOMER DRAWING				SCALE	SHEET	REV	
				2:1	2 OF 2	D	