

REVISIONS

LTR	DESCRIPTION	DATE (YR-MO-DA)	APPROVED

REV																			
SHEET																			
REV																			
SHEET																			

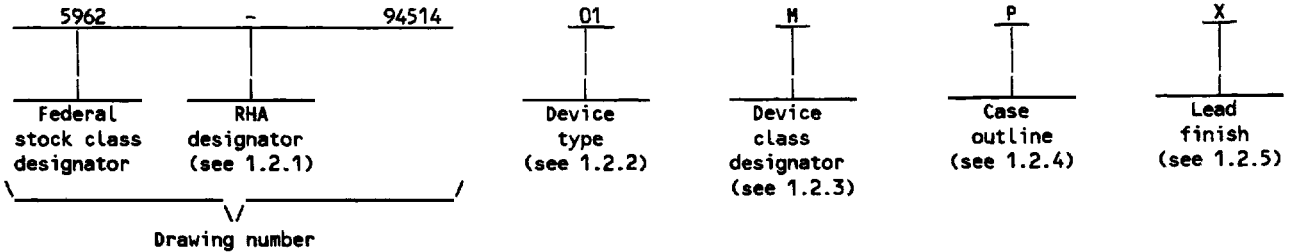
REV STATUS OF SHEETS	REV																		
	SHEET	1	2	3	4	5	6	7	8	9	10	11	12	13	14				

PMIC N/A	PREPARED BY RICK C. OFFICER	DEFENSE ELECTRONICS SUPPLY CENTER DAYTON, OHIO 45444		
STANDARDIZED MILITARY DRAWING THIS DRAWING IS AVAILABLE FOR USE BY ALL DEPARTMENTS AND AGENCIES OF THE DEPARTMENT OF DEFENSE AMSC N/A	CHECKED BY CHARLES E. BESORE	MICROCIRCUIT, LINEAR, MICROPROCESSOR SUPERVISORY CIRCUIT, MONOLITHIC SILICON		
	APPROVED BY MICHAEL A. FRYE	SIZE A	CAGE CODE 67268	5962-94514
	DRAWING APPROVAL DATE 94-01-18	SHEET 1 OF 14		
	REVISION LEVEL			

1. SCOPE

1.1 Scope. This drawing forms a part of a one part - one part number documentation system (see 6.6 herein). Two product assurance classes consisting of military high reliability (device classes Q and M) and space application (device class V), and a choice of case outlines and lead finishes are available and are reflected in the Part or Identifying Number (PIN). Device class M microcircuits represent non-JAN class B microcircuits in accordance with 1.2.1 of MIL-STD-883, "Provisions for the use of MIL-STD-883 in conjunction with compliant non-JAN devices". When available, a choice of Radiation Hardness Assurance (RHA) levels are reflected in the PIN.

1.2 PIN. The PIN shall be as shown in the following example:



1.2.1 RHA designator. Device class M RHA marked devices shall meet the MIL-I-38535 appendix A specified RHA levels and shall be marked with the appropriate RHA designator. Device classes Q and V RHA marked devices shall meet the MIL-I-38535 specified RHA levels and shall be marked with the appropriate RHA designator. A dash (-) indicates a non-RHA device.

1.2.2 Device type(s). The device type(s) shall identify the circuit function as follows:

<u>Device type</u>	<u>Generic number</u>	<u>Circuit function</u>
01	MAX1232	Microprocessor supervisory circuit

1.2.3 Device class designator. The device class designator shall be a single letter identifying the product assurance level as follows:

<u>Device class</u>	<u>Device requirements documentation</u>
M	Vendor self-certification to the requirements for non-JAN class B microcircuits in accordance with 1.2.1 of MIL-STD-883
Q or V	Certification and qualification to MIL-I-38535

1.2.4 Case outline(s). The case outline(s) shall be as designated in MIL-STD-1835 and as follows:

<u>Outline letter</u>	<u>Descriptive designator</u>	<u>Terminals</u>	<u>Package style</u>
P	GDIP1-T8 or CDIP2-T8	8	Dual-in-line
2	CQCC1-N20	20	Square leadless chip carrier

1.2.5 Lead finish. The lead finish shall be as specified in MIL-STD-883 (see 3.1 herein) for class M or MIL-I-38535 for classes Q and V. Finish letter "X" shall not be marked on the microcircuit or its packaging. The "X" designation is for use in specifications when lead finishes A, B, and C are considered acceptable and interchangeable without preference.

STANDARDIZED MILITARY DRAWING DEFENSE ELECTRONICS SUPPLY CENTER DAYTON, OHIO 45444	SIZE A		5962-94514
		REVISION LEVEL	SHEET 2

1.3 Absolute maximum ratings. 1/

Supply voltage to ground (V_{CC} to GND)	-0.3 V to +6.0 V
Maximum current at any terminal	10 mA
Input voltage ST, TOL, PB RST, TD	-0.3 V to ($V_{CC}+0.3$ V)
Power dissipation (P_D) at $T_A = +70^\circ\text{C}$:	
Case P	640 mW 2/
Case 2	727 mW 2/
Lead temperature (soldering, 10 seconds)	+300°C
Storage temperature range	-65°C to +160°C
Thermal resistance, junction-to-case (Θ_{JC})	See MIL-STD-1835
Thermal resistance, junction-to-ambient (Θ_{JA}):	
Case P	+125°C/W
Case 2	+110°C/W

1.4 Recommended operating conditions.

Supply voltage range	+4.5 V to +5.5 V
Ambient operating temperature range (T_A)	-55°C to +125°C
Input capacitance (C_{IN}) at ST and TOL pins	5 pF
Output capacitance (C_{OUT}) at RST and RST pins	7 pF

2. APPLICABLE DOCUMENTS

2.1 Government specification, standards, bulletin, and handbook. Unless otherwise specified, the following specification, standards, bulletin, and handbook of the issue listed in that issue of the Department of Defense Index of Specifications and Standards specified in the solicitation, form a part of this drawing to the extent specified herein.

SPECIFICATION

MILITARY

MIL-I-38535 - Integrated Circuits, Manufacturing, General Specification for.

STANDARDS

MILITARY

- MIL-STD-883 - Test Methods and Procedures for Microelectronics.
- MIL-STD-973 - Configuration Management.
- MIL-STD-1835 - Microcircuit Case Outlines.

BULLETIN

MILITARY

MIL-BUL-103 - List of Standardized Military Drawings (SMD's).

HANDBOOK

MILITARY

MIL-HDBK-780 - Standardized Military Drawings.

(Copies of the specification, standards, bulletin, and handbook required by manufacturers in connection with specific acquisition functions should be obtained from the contracting activity or as directed by the contracting activity.)

1/ Stresses above the absolute maximum rating may cause permanent damage to the device. Extended operation at the maximum levels may degrade performance and affect reliability.
 2/ For case P, derate 8.0 mW/°C at $T_A > +70^\circ\text{C}$. For case 2, derate 9.09 mW/°C at $T_A > +70^\circ\text{C}$.

STANDARDIZED MILITARY DRAWING DEFENSE ELECTRONICS SUPPLY CENTER DAYTON, OHIO 45444	SIZE A		5962-94514
		REVISION LEVEL	SHEET 3

2.2 Order of precedence. In the event of a conflict between the text of this drawing and the references cited herein, the text of this drawing shall take precedence.

3. REQUIREMENTS

3.1 Item requirements. The individual item requirements for device class M shall be in accordance with 1.2.1 of MIL-STD-883, "Provisions for the use of MIL-STD-883 in conjunction with compliant non-JAN devices" and as specified herein. The individual item requirements for device classes Q and V shall be in accordance with MIL-I-38535, the device manufacturer's Quality Management (QM) plan, and as specified herein.

3.2 Design, construction, and physical dimensions. The design, construction, and physical dimensions shall be as specified in MIL-STD-883 (see 3.1 herein) for device class M and MIL-I-38535 for device classes Q and V and herein.

3.2.1 Case outline(s). The case outline(s) shall be in accordance with 1.2.4 herein.

3.2.2 Terminal connections. The terminal connections shall be as specified on figure 1.

3.2.3 Logic diagram(s). The logic diagram(s) shall be as specified on figure 2.

3.3 Electrical performance characteristics and postirradiation parameter limits. Unless otherwise specified herein, the electrical performance characteristics and postirradiation parameter limits are as specified in table I and shall apply over the full ambient operating temperature range.

3.4 Electrical test requirements. The electrical test requirements shall be the subgroups specified in table II. The electrical tests for each subgroup are defined in table I.

3.5 Marking. The part shall be marked with the PIN listed in 1.2 herein. Marking for device class M shall be in accordance with MIL-STD-883 (see 3.1 herein). In addition, the manufacturer's PIN may also be marked as listed in MIL-BUL-103. Marking for device classes Q and V shall be in accordance with MIL-I-38535.

3.5.1 Certification/compliance mark. The compliance mark for device class M shall be a "C" as required in MIL-STD-883 (see 3.1 herein). The certification mark for device classes Q and V shall be a "QML" or "Q" as required in MIL-I-38535.

3.6 Certificate of compliance. For device class M, a certificate of compliance shall be required from a manufacturer in order to be listed as an approved source of supply in MIL-BUL-103 (see 6.7.2 herein). For device classes Q and V, a certificate of compliance shall be required from a QML-38535 listed manufacturer in order to supply to the requirements of this drawing (see 6.7.1 herein). The certificate of compliance submitted to DESC-EC prior to listing as an approved source of supply for this drawing shall affirm that the manufacturer's product meets, for device class M, the requirements of MIL-STD-883 (see 3.1 herein), or for device classes Q and V, the requirements of MIL-I-38535 and the requirements herein.

3.7 Certificate of conformance. A certificate of conformance as required for device class M in MIL-STD-883 (see 3.1 herein) or for device classes Q and V in MIL-I-38535 shall be provided with each lot of microcircuits delivered to this drawing.

3.8 Notification of change for device class M. For device class M, notification to DESC-EC of change of product (see 6.2 herein) involving devices acquired to this drawing is required for any change as defined in MIL-STD-973.

3.9 Verification and review for device class M. For device class M, DESC, DESC's agent, and the acquiring activity retain the option to review the manufacturer's facility and applicable required documentation. Offshore documentation shall be made available onshore at the option of the reviewer.

3.10 Microcircuit group assignment for device class M. Device class M devices covered by this drawing shall be in microcircuit group number 105 (see MIL-I-38535, appendix A).

4. QUALITY ASSURANCE PROVISIONS

4.1 Sampling and inspection. For device class M, sampling and inspection procedures shall be in accordance with MIL-STD-883 (see 3.1 herein). For device classes Q and V, sampling and inspection procedures shall be in accordance with MIL-I-38535 and the device manufacturer's QM plan.

STANDARDIZED MILITARY DRAWING DEFENSE ELECTRONICS SUPPLY CENTER DAYTON, OHIO 45444	SIZE A		5962-94514
		REVISION LEVEL	SHEET 4

TABLE I. Electrical performance characteristics.

Test	Symbol	Conditions ^{1/} -55°C ≤ T _A ≤ +125°C unless otherwise specified	Group A subgroups	Device type	Limits ^{2/}		Unit
					Min	Max	
High level input voltage, ST and PB RST	V _{IH}	<u>3/</u>	1,2,3	01	2.0		V
Low level input voltage, ST and PB RST pins	V _{IL}		1,2,3	01		0.8	V
Input leakage current, TOL and ST pins	I _{IL}		1,2,3	01	-1.0	1.0	μA
High output current, RST pin	I _{OH}	V _{OH} = 2.4 V	1,2,3	01	-1.0		μA
Low output current, RST and RST pins	I _{OL}	V _{OL} = 0.4 V	1,2,3	01	2.0		mA
Operating current	I _{CC}	Measured with outputs open	1,2,3	01		200	μA
Supply current 5% trip- point	V _{CCTP}	All voltages referenced to GND	1,2,3	01	4.50	4.74	V
Supply current 10% trip- point	V _{CCTP}	All voltages referenced to GND, TOL = V _{CC}	1,2,3	01	4.25	4.49	V
Pushbutton reset input	t _{PB}	<u>4/</u>	9,10,11	01	20		ms
Pushbutton reset delay	t _{PBD}	<u>5/</u>	9,10,11	01	1	20	ms
Reset active time	t _{RST}		9,10,11	01	250	1000	ms

See footnotes at end of table.

STANDARDIZED MILITARY DRAWING DEFENSE ELECTRONICS SUPPLY CENTER DAYTON, OHIO 45444	SIZE A		5962-94514
		REVISION LEVEL	SHEET 5

TABLE I. Electrical performance characteristics - Continued.

Test	Symbol	Conditions ^{1/} -55°C ≤ T _A ≤ +125°C unless otherwise specified	Group A subgroups	Device type	Limits ^{2/}		Unit
					Min	Max	
Strobe input pulse width	t _{TD}	TD pin = 0 V	9,10,11	01	62.5	250	ms
		TD pin = open			250	1000	
		TD pin = V _{CC}			500	2000	
Supply voltage detect to RST low and RST high	t _{RPD}	V _{CC} falling	9,10,11	01		100	ns
Supply voltage detect to RST open RST low	t _{RPU}	V _{CC} rising, t _R ≤ 5 μs	9,10,11	01	250	1000	ms

^{1/} Unless otherwise specified, V_{CC} = +4.5 V to +5.5 V. See figure 3.

^{2/} The algebraic convention, whereby the most negative value is a minimum and the most positive is a maximum, is used in this table. Negative current shall be defined as conventional current flow out of a device terminal.

^{3/} The pushbutton reset input ($\overline{\text{PB RST}}$) pin is internally pulled up to V_{CC} with an internal impedance of 40 kΩ.

^{4/} The pushbutton reset input ($\overline{\text{PB RST}}$) pin must be held low for a minimum of 20 ms to guarantee reset.

^{5/} For subgroups 10 and 11, if not tested, shall be guaranteed to the limits specified in table I herein.

STANDARDIZED MILITARY DRAWING DEFENSE ELECTRONICS SUPPLY CENTER DAYTON, OHIO 45444	SIZE A		5962-94514
		REVISION LEVEL	SHEET 6

Device type	01	
Case outlines	P	2
Terminal number	Terminal symbol	
1	$\overline{\text{PB RST}}$	NC
2	TD	$\overline{\text{PR RST}}$
3	TOL	NC
4	GND	NC
5	RST	TD
6	$\overline{\text{RST}}$	NC
7	$\overline{\text{ST}}$	TOL
8	V _{CC}	NC
9	---	NC
10	---	GND
11	---	NC
12	---	RST
13	---	NC
14	---	NC
15	---	$\overline{\text{RST}}$
16	---	NC
17	---	$\overline{\text{ST}}$
18	---	NC
19	---	NC
20	---	V _{CC}

FIGURE 1. Terminal connections.

STANDARDIZED MILITARY DRAWING DEFENSE ELECTRONICS SUPPLY CENTER DAYTON, OHIO 45444	SIZE A		5962-94514
		REVISION LEVEL	SHEET 7

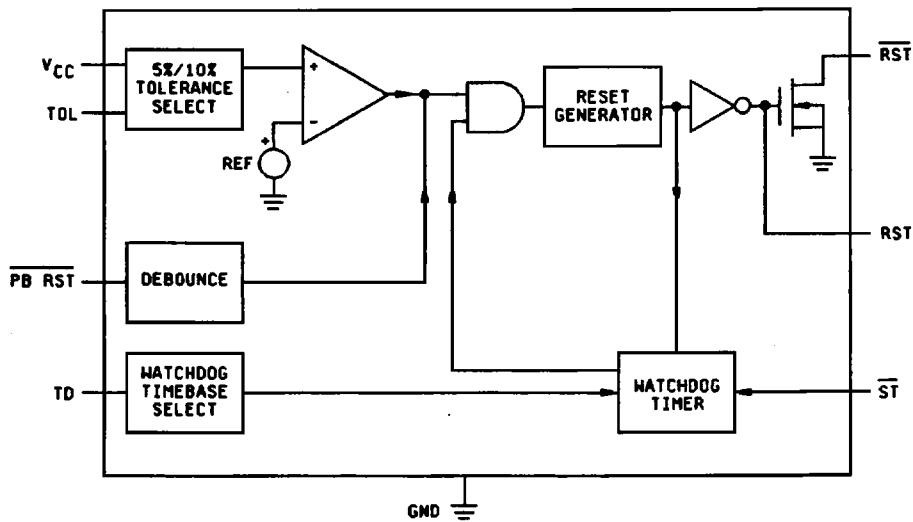


FIGURE 2. Logic diagram.

STANDARDIZED
MILITARY DRAWING
DEFENSE ELECTRONICS SUPPLY CENTER
DAYTON, OHIO 45444

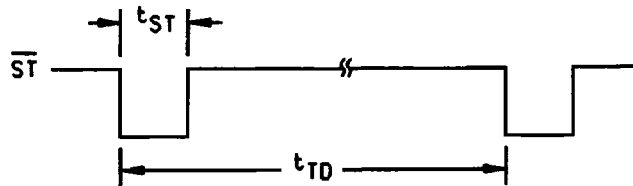
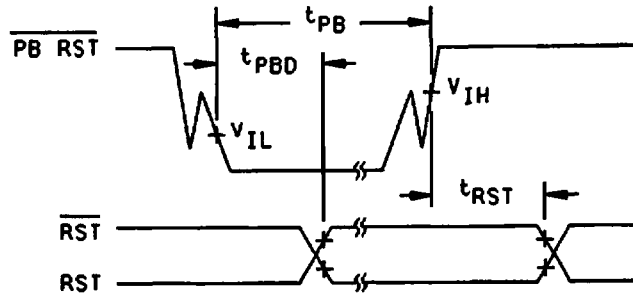
SIZE
A

5962-94514

REVISION LEVEL

SHEET

8



The top waveform is for Pushbutton reset. The debounced $\overline{\text{PB RST}}$ input ignores input pulses less than 1 ms and is guaranteed to recognize pulse of 20 ms greater.

The bottom waveform is for strobe. Strobe input pulse width (t_{ST}) is the maximum elapsed time between ST high-to-low transitions (ST is activated by falling edges only) which will keep the watchdog timer from forcing the reset outputs active for a time of t_{RST} . t_{TD} is a function of the voltage at the TD pin, as tabulated below:

Condition	Minimum	Maximum
TD pin = 0 V	62.5 ms	250 ms
TD pin = open	250 ms	1000 ms
TD pin = V_{CC}	500 ms	2000 ms

FIGURE 3. Timing waveforms.

STANDARDIZED
MILITARY DRAWING
DEFENSE ELECTRONICS SUPPLY CENTER
DAYTON, OHIO 45444

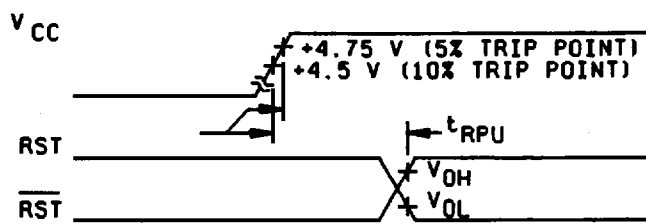
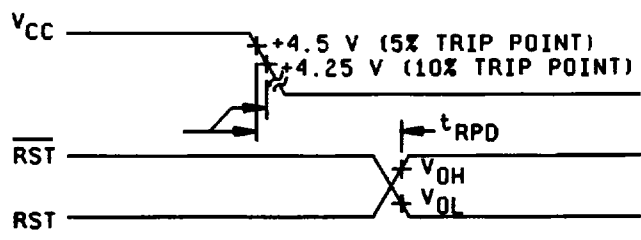
SIZE
A

5962-94514

REVISION LEVEL

SHEET

9



For the top set of waveforms, V_{CC} detect reset output delay (power-down).
 V_{CC} slew rate = $1.66 \text{ V}/\mu\text{s}$ ($0.5 \text{ V}/300\mu\text{s}$).

For the bottom set of waveforms, V_{CC} detect reset output delay (power-up).

FIGURE 3. Timing waveforms - Continued.

STANDARDIZED MILITARY DRAWING DEFENSE ELECTRONICS SUPPLY CENTER DAYTON, OHIO 45444	SIZE A		5962-94514
		REVISION LEVEL	SHEET 10

4.2 Screening. For device class M, screening shall be in accordance with method 5004 of MIL-STD-883, and shall be conducted on all devices prior to quality conformance inspection. For device classes Q and V, screening shall be in accordance with MIL-I-38535, and shall be conducted on all devices prior to qualification and technology conformance inspection.

4.2.1 Additional criteria for device class M.

a. Burn-in test, method 1015 of MIL-STD-883.

(1) Test condition B or C. The test circuit shall be maintained by the manufacturer under document revision level control and shall be made available to the preparing or acquiring activity upon request. The test circuit shall specify the inputs, outputs, biases, and power dissipation, as applicable, in accordance with the intent specified in test method 1015.

(2) $T_A = +125^\circ\text{C}$, minimum.

b. Interim and final electrical test parameters shall be as specified in table II herein.

4.2.2 Additional criteria for device classes Q and V.

a. The burn-in test duration, test condition and test temperature, or approved alternatives shall be as specified in the device manufacturer's QM plan in accordance with MIL-I-38535. The burn-in test circuit shall be maintained under document revision level control of the device manufacturer's Technology Review Board (TRB) in accordance with MIL-I-38535 and shall be made available to the acquiring or preparing activity upon request. The test circuit shall specify the inputs, outputs, biases, and power dissipation, as applicable, in accordance with the intent specified in test method 1015.

b. Interim and final electrical test parameters shall be as specified in table II herein.

c. Additional screening for device class V beyond the requirements of device class Q shall be as specified in appendix B of MIL-I-38535.

4.3 Qualification inspection for device classes Q and V. Qualification inspection for device classes Q and V shall be in accordance with MIL-I-38535. Inspections to be performed shall be those specified in MIL-I-38535 and herein for groups A, B, C, D, and E inspections (see 4.4.1 through 4.4.4).

4.4 Conformance inspection. Quality conformance inspection for device class M shall be in accordance with MIL-STD-883 (see 3.1 herein) and as specified herein. Inspections to be performed for device class M shall be those specified in method 5005 of MIL-STD-883 and herein for groups A, B, C, D, and E inspections (see 4.4.1 through 4.4.4). Technology conformance inspection for classes Q and V shall be in accordance with MIL-I-38535 including groups A, B, C, D, and E inspections and as specified herein except where option 2 of MIL-I-38535 permits alternate in-line control testing.

4.4.1 Group A inspection.

a. Tests shall be as specified in table II herein.

b. Subgroups 4, 5, 6, 7, and 8 in table I, method 5005 of MIL-STD-883 shall be omitted.

4.4.2 Group C inspection. The group C inspection end-point electrical parameters shall be as specified in table II herein.

4.4.2.1 Additional criteria for device class M. Steady-state life test conditions, method 1005 of MIL-STD-883:

a. Test condition B or C. The test circuit shall be maintained by the manufacturer under document revision level control and shall be made available to the preparing or acquiring activity upon request. The test circuit shall specify the inputs, outputs, biases, and power dissipation, as applicable, in accordance with the intent specified in test method 1005.

b. $T_A = +125^\circ\text{C}$, minimum.

c. Test duration: 1,000 hours, except as permitted by method 1005 of MIL-STD-883.

STANDARDIZED MILITARY DRAWING DEFENSE ELECTRONICS SUPPLY CENTER DAYTON, OHIO 45444	SIZE A		5962-94514
		REVISION LEVEL	SHEET 11

TABLE II. Electrical test requirements.

Test requirements	Subgroups (in accordance with MIL-STD-883, TN 5005, table I)		Subgroups (in accordance with MIL-I-38535, table III)	
	Device class M	Device class Q	Device class Q	Device class V
Interim electrical parameters (see 4.2)	1	1	1	1
Final electrical parameters (see 4.2)	1,2,3,9, 1/ 10,11	1,2,3,9, 1/ 10,11	1,2,3,9, 1/ 10,11	1,2,3,9, 1/ 10,11
Group A test requirements (see 4.4)	1,2,3,9,10,11	1,2,3,9,10,11	1,2,3,9,10,11	1,2,3,9, 10,11
Group C end-point electrical parameters (see 4.4)	1,9	1,9	1,9	1,9
Group D end-point electrical parameters (see 4.4)	1,9	1,9	1,9	1,9
Group E end-point electrical parameters (see 4.4)	---	---	---	---

1/ PDA applies to subgroup 1.

4.4.2.2 Additional criteria for device classes Q and V. The steady-state life test duration, test condition and test temperature, or approved alternatives shall be as specified in the device manufacturer's QM plan in accordance with MIL-I-38535. The test circuit shall be maintained under document revision level control by the device manufacturer's TRB, in accordance with MIL-I-38535, and shall be made available to the acquiring or preparing activity upon request. The test circuit shall specify the inputs, outputs, biases, and power dissipation, as applicable, in accordance with the intent specified in test method 1005.

4.4.3 Group D inspection. The group D inspection end-point electrical parameters shall be as specified in table II herein.

4.4.4 Group E inspection. Group E inspection is required only for parts intended to be marked as radiation hardness assured (see 3.5 herein). RHA levels for device classes Q and V shall be M, D, R, and H and for device class M shall be M and D.

- a. End-point electrical parameters shall be as specified in table II herein.
- b. For device class M, the devices shall be subjected to radiation hardness assured tests as specified in MIL-I-38535, appendix A, for the RHA level being tested. For device classes Q and V, the devices or test vehicle shall be subjected to radiation hardness assured tests as specified in MIL-I-38535 for the RHA level being tested. All device classes must meet the postirradiation end-point electrical parameter limits as defined in table I at $T_A = +25^\circ\text{C} \pm 5^\circ\text{C}$, after exposure, to the subgroups specified in table II herein.
- c. When specified in the purchase order or contract, a copy of the RHA delta limits shall be supplied.

STANDARDIZED MILITARY DRAWING DEFENSE ELECTRONICS SUPPLY CENTER DAYTON, OHIO 45444	SIZE A		5962-94514
		REVISION LEVEL	SHEET 12

5. PACKAGING

5.1 Packaging requirements. The requirements for packaging shall be in accordance with MIL-STD-883 (see 3.1 herein) for device class M and MIL-I-38535 for device classes Q and V.

6. NOTES

6.1 Intended use. Microcircuits conforming to this drawing are intended for use for Government microcircuit applications (original equipment), design applications, and logistics purposes.

6.1.1 Replaceability. Microcircuits covered by this drawing will replace the same generic device covered by a contractor-prepared specification or drawing.

6.1.2 Substitutability. Device class Q devices will replace device class M devices.

6.2 Configuration control of SMD's. All proposed changes to existing SMD's will be coordinated with the users of record for the individual documents. This coordination will be accomplished in accordance with MIL-STD-973 using DD Form 1692, Engineering Change Proposal.

6.3 Record of users. Military and industrial users shall inform Defense Electronics Supply Center when a system application requires configuration control and which SMD's are applicable to that system. DESC will maintain a record of users and this list will be used for coordination and distribution of changes to the drawings. Users of drawings covering microelectronic devices (FSC 5962) should contact DESC-EC, telephone (513) 296-6047.

6.4 Comments. Comments on this drawing should be directed to DESC-EC, Dayton, Ohio 45444-5270, or telephone (513) 296-5377.

6.5 Abbreviations, symbols, and definitions.

$\overline{\text{PB RST}}$	Pushbutton reset input. A debounced active-low input that ignores pulses less than 1 ms in duration and is guaranteed to recognize inputs of 20 ms or greater.
TD	Time delay set. The watchdog timebase select input ($t_{TD} = 150$ ms for TD = 0 V, $t_{TD} = 600$ ms for TD = open, and $t_{TD} = 1.2$ seconds for TD = V_{CC}).
TOL	Tolerance input. Connect to GND for 5% tolerance or to V_{CC} for 10% tolerance.
GND	Ground.
RST	Reset output (active high) - goes active: 1. If V_{CC} falls below the selected reset voltage threshold. 2. During power-up. 3. If $\overline{\text{PB RST}}$ is forced low. 4. If ST is not strobed within the minimum timeout period.
$\overline{\text{RST}}$	Reset output (active low, open drain) - see RST description.
$\overline{\text{ST}}$	Strobe input. Input for watchdog timer.
V_{CC}	The +5 V power-supply input.
NC	No connection.

STANDARDIZED MILITARY DRAWING DEFENSE ELECTRONICS SUPPLY CENTER DAYTON, OHIO 45444	SIZE A		5962-94514
		REVISION LEVEL	SHEET 13

6.6 One part - one part number system. The one part - one part number system described below has been developed to allow for transitions between identical generic devices covered by the three major microcircuit requirements documents (MIL-H-38534, MIL-I-38535, and 1.2.1 of MIL-STD-883) without the necessity for the generation of unique PIN's. The three military requirements documents represent different class levels, and previously when a device manufacturer upgraded military product from one class level to another, the benefits of the upgraded product were unavailable to the Original Equipment Manufacturer (OEM), that was contractually locked into the original unique PIN. By establishing a one part number system covering all three documents, the OEM can acquire to the highest class level available for a given generic device to meet system needs without modifying the original contract parts selection criteria.

<u>Military documentation format</u>	<u>Example PIN under new system</u>	<u>Manufacturing source listing</u>	<u>Document Listing</u>
New MIL-H-38534 Standardized Military Drawings	5962-XXXXXZZ(H or K)YY	QML-38534	MIL-BUL-103
New MIL-I-38535 Standardized Military Drawings	5962-XXXXXZZ(Q or V)YY	QML-38535	MIL-BUL-103
New 1.2.1 of MIL-STD-883 Standardized Military Drawings	5962-XXXXXZZ(M)YY	MIL-BUL-103	MIL-BUL-103

6.7 Sources of supply.

6.7.1 Sources of supply for device classes Q and V. Sources of supply for device classes Q and V are listed in QML-38535. The vendors listed in QML-38535 have submitted a certificate of compliance (see 3.6 herein) to DESC-EC and have agreed to this drawing.

6.7.2 Approved sources of supply for device class M. Approved sources of supply for class M are listed in MIL-BUL-103. The vendors listed in MIL-BUL-103 have agreed to this drawing and a certificate of compliance (see 3.6 herein) has been submitted to and accepted by DESC-EC.

STANDARDIZED MILITARY DRAWING DEFENSE ELECTRONICS SUPPLY CENTER DAYTON, OHIO 45444	SIZE A		5962-94514
		REVISION LEVEL	SHEET 14

STANDARDIZED MILITARY DRAWING SOURCE APPROVAL BULLETIN

DATE: 94-01-18

Approved sources of supply for SMD 5962-94514 are listed below for immediate acquisition only and shall be added to MIL-BUL-103 during the next revision. MIL-BUL-103 will be revised to include the addition or deletion of sources. The vendors listed below have agreed to this drawing and a certificate of compliance has been submitted to and accepted by DESC-EC. This bulletin is superseded by the next dated revision of MIL-BUL-103.

Standardized military drawing PIN	Vendor CAGE number	Vendor similar PIN ^{1/}
5962-9451401MPX	1ES66	MAX1232MJA/883B
5962-9451401M2X	1ES66	MAX1232MLP/883B

^{1/} Caution. Do not use this number for item acquisition. Items acquired to this number may not satisfy the performance requirements of this drawing.

Vendor CAGE
number

1ES66

Vendor name
and address

Maxim Integrated Products
120 San Gabriel Drive
Sunnyvale, CA 94086-5126

The information contained herein is disseminated for convenience only and the Government assumes no liability whatsoever for any inaccuracies in this information bulletin.