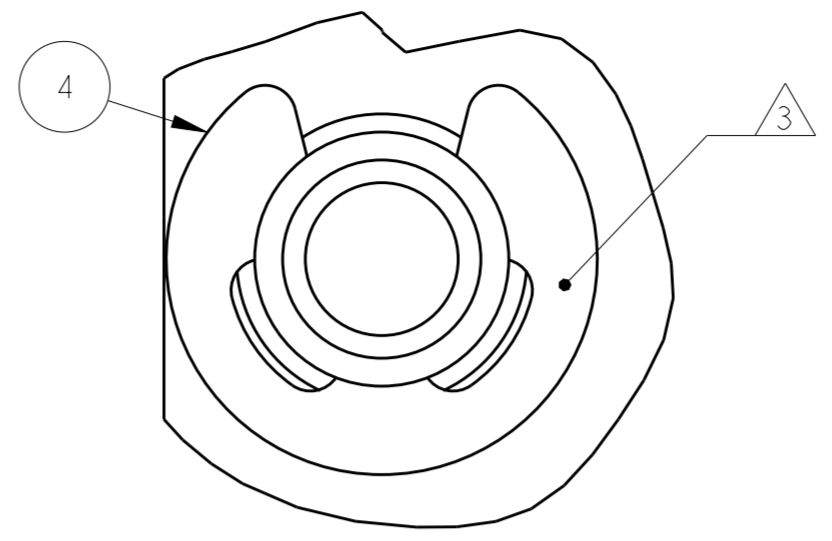
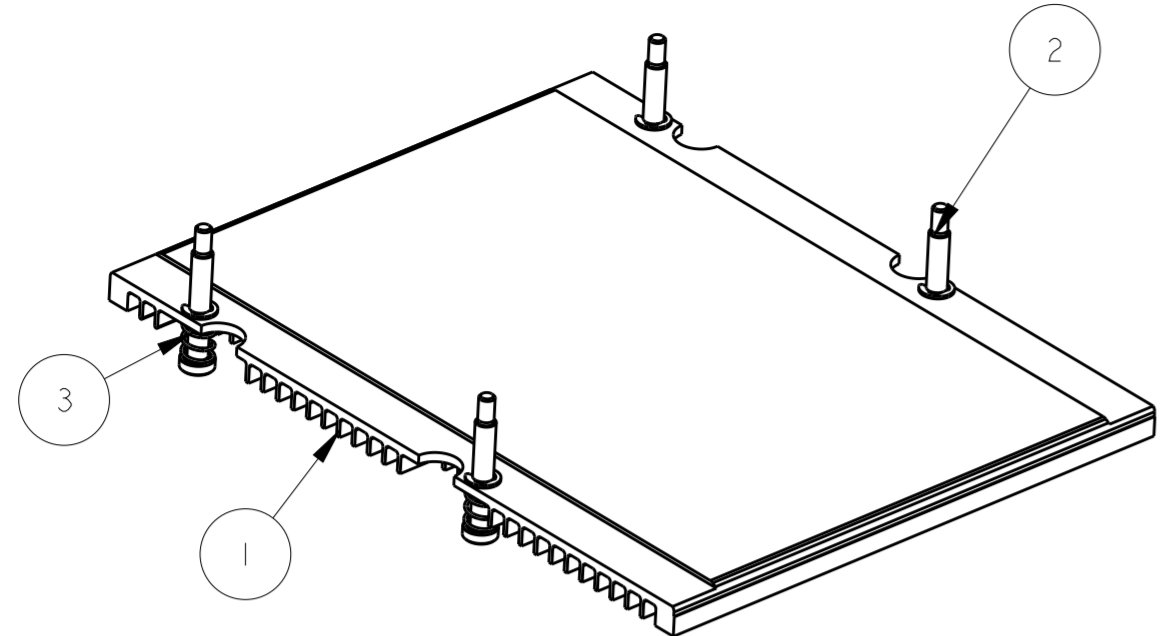


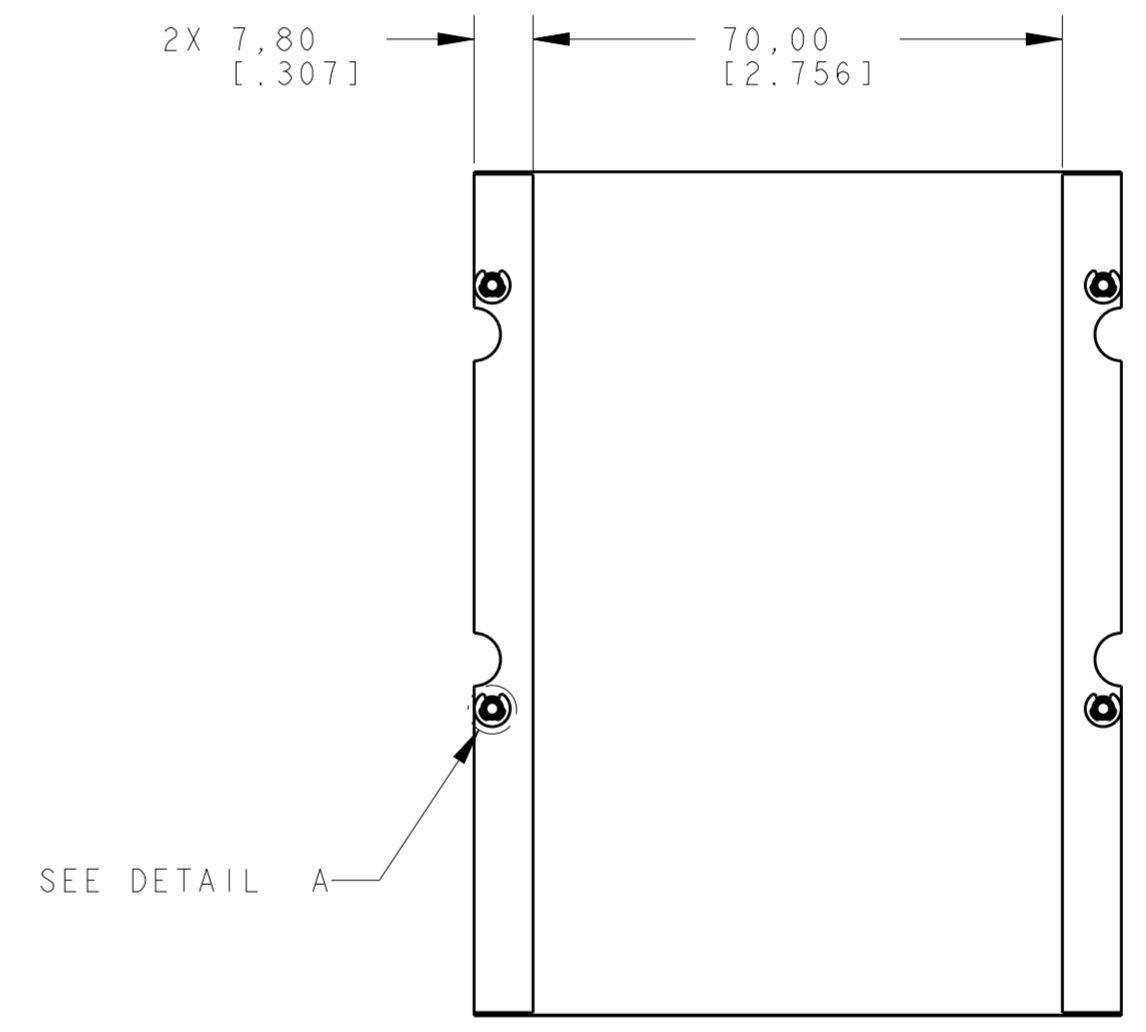
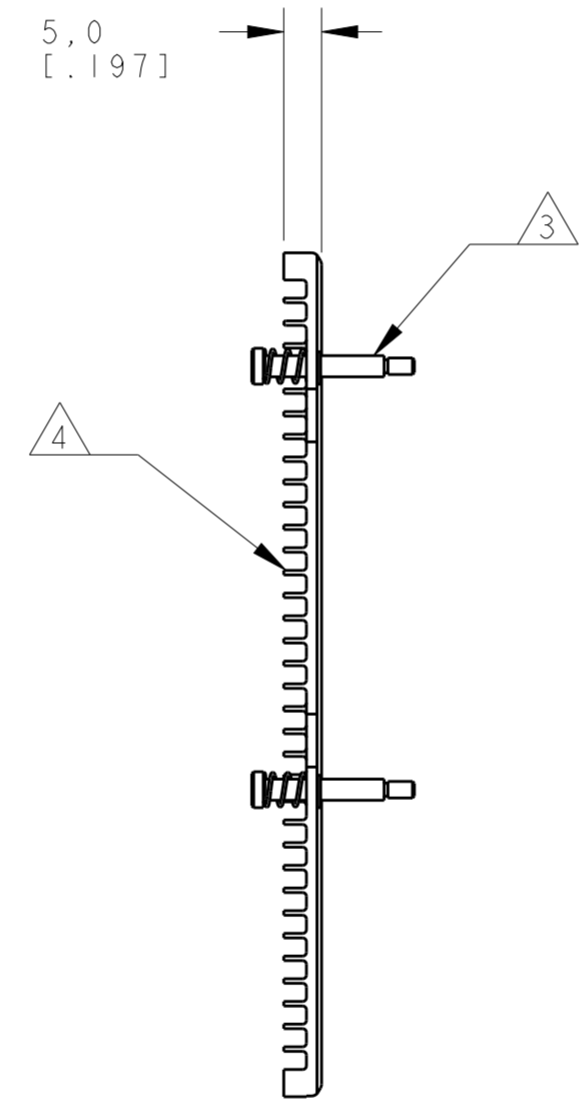
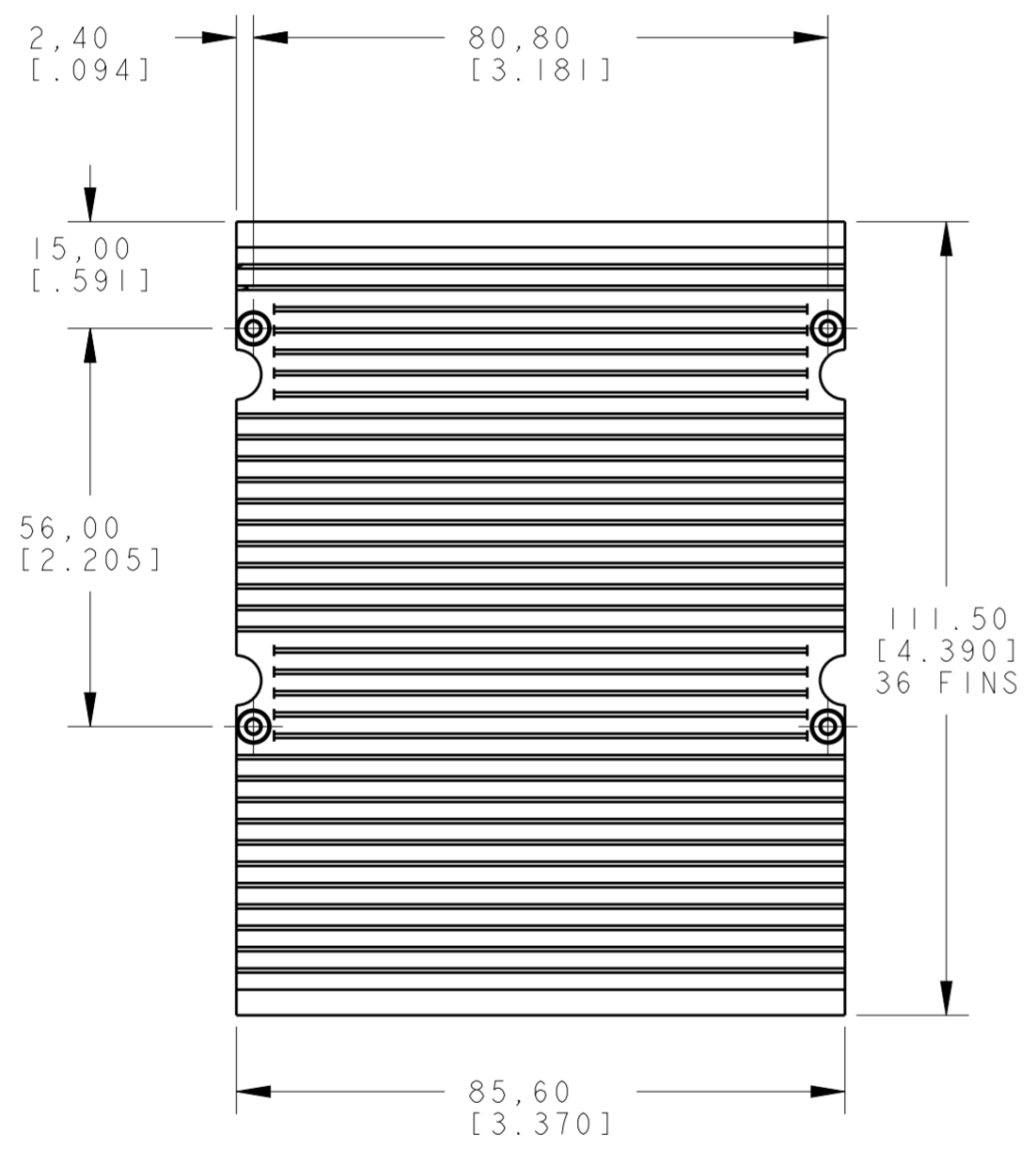
THIS DRAWING IS UNPUBLISHED. RELEASED FOR PUBLICATION 20
 © COPYRIGHT 20 BY - ALL RIGHTS RESERVED.

LOC	DIST	REVISIONS					
GP	00	P	LTR	DESCRIPTION	DATE	DWN	APVD
		A		RELEASED	17SEP2013	CJV	MRS
		B		REVISED PER ECO-16-002273	18FEB2016	PP	SH
		C		REVISED PER ECO-16-015207	09OCT2016	PP	SH



DETAIL A
SCALE 12.000

- 1 HEATSINK MATERIAL: ALUMINUM ALLOY
- 2 FINISH: HARDCOAT ANNOXIDIZED
- 3 2-56 SHOULDER BOLT AND SPRING PRE-ASSEMBLED AND HELD IN PLACE WITH CLIP
- 4 FULL ROUND PERMITTED ON TOP OF HEATSINK FINS



QTY	UNIT	DESCRIPTION	ITEM NO.
4	4	E-CLIP	4
4	4	SPRING	3
4	4	2-56 SHOULDER SCREW	2
1	-	HEAT SINK (36 FINS, LOW)	1
-	-	HEAT SINK (36 FINS)	
-	-	HEAT SINK (46 FINS)	
-5	-3	DESCRIPTION	ITEM NO.

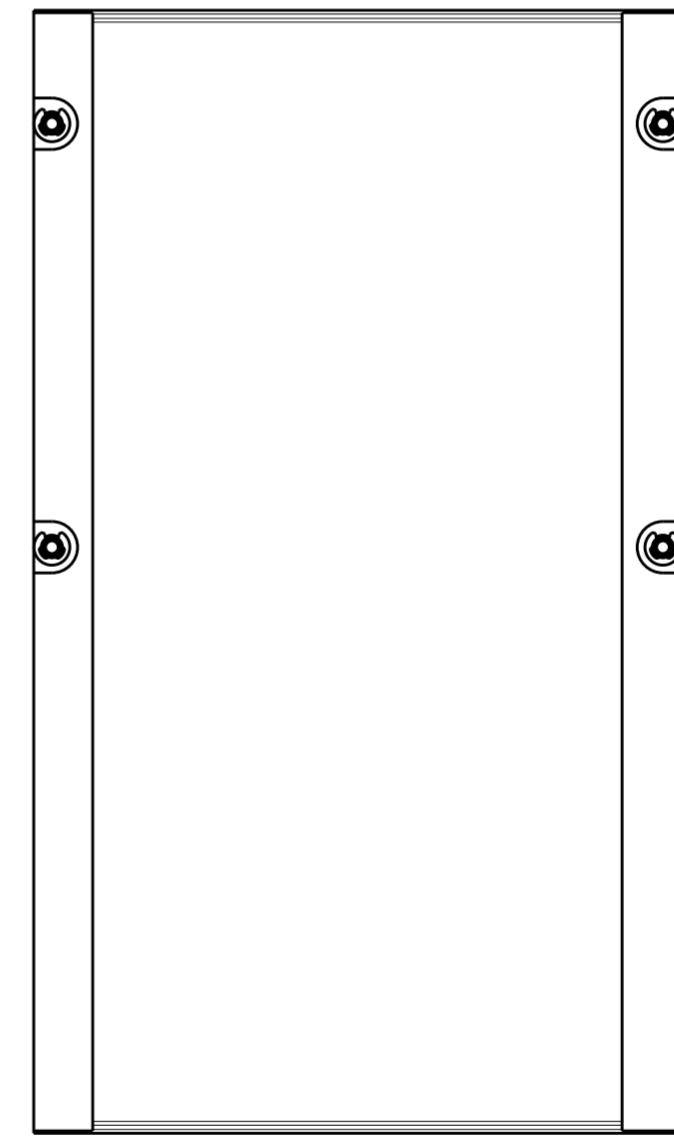
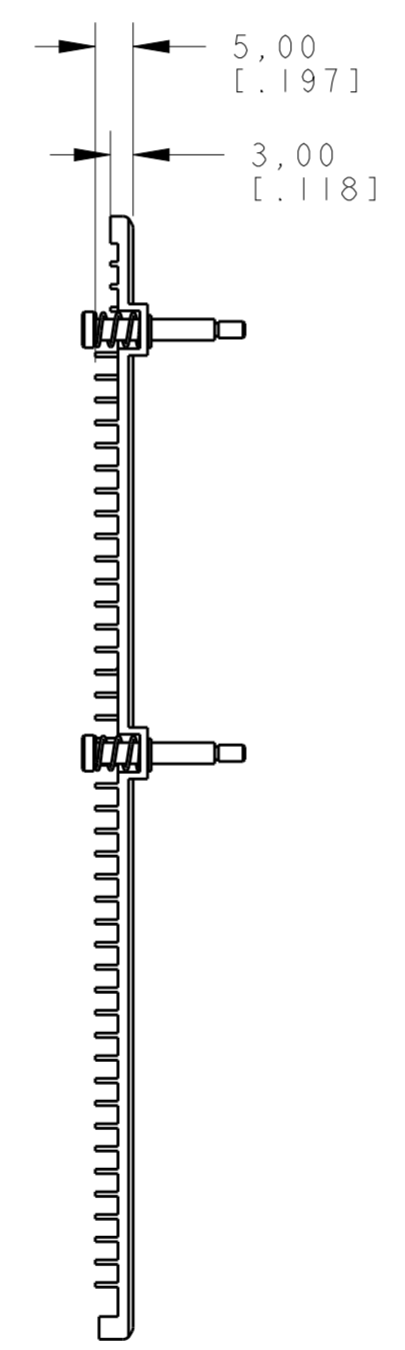
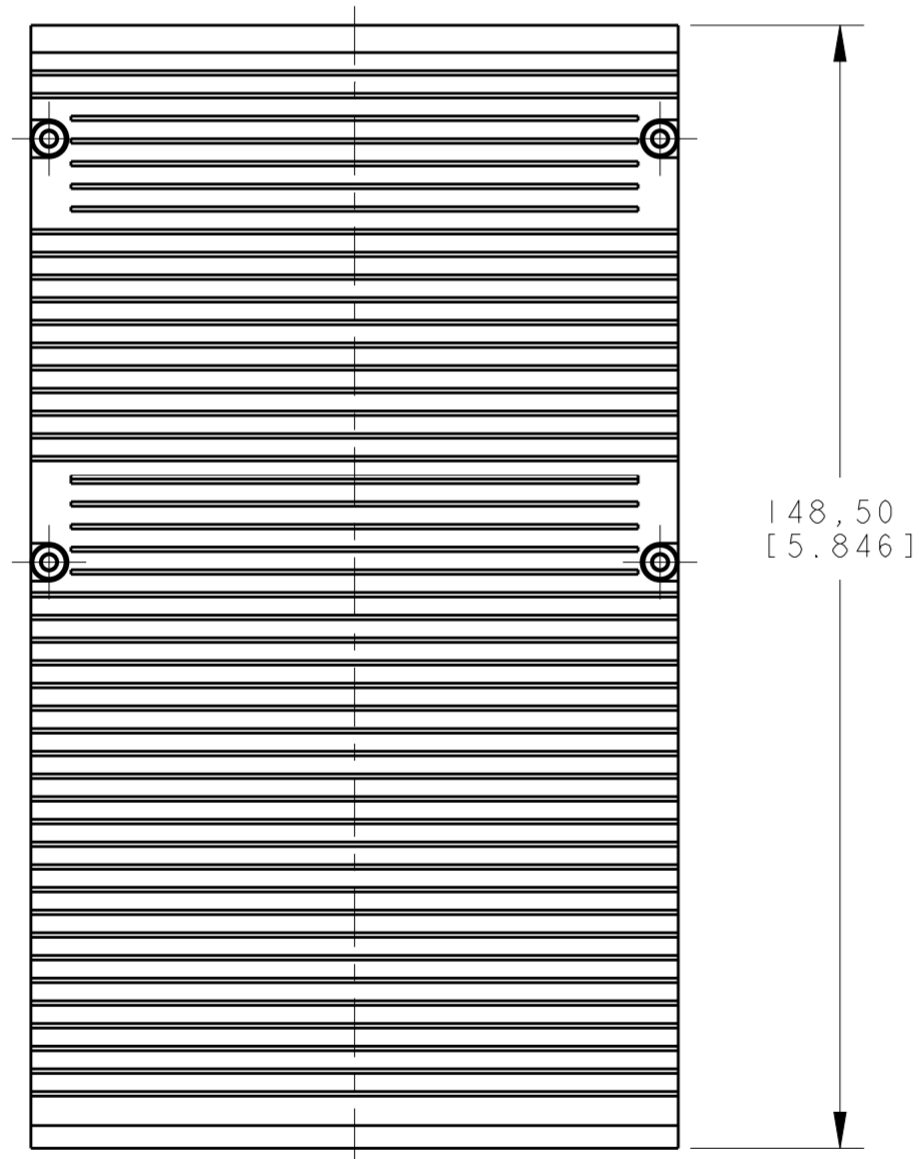
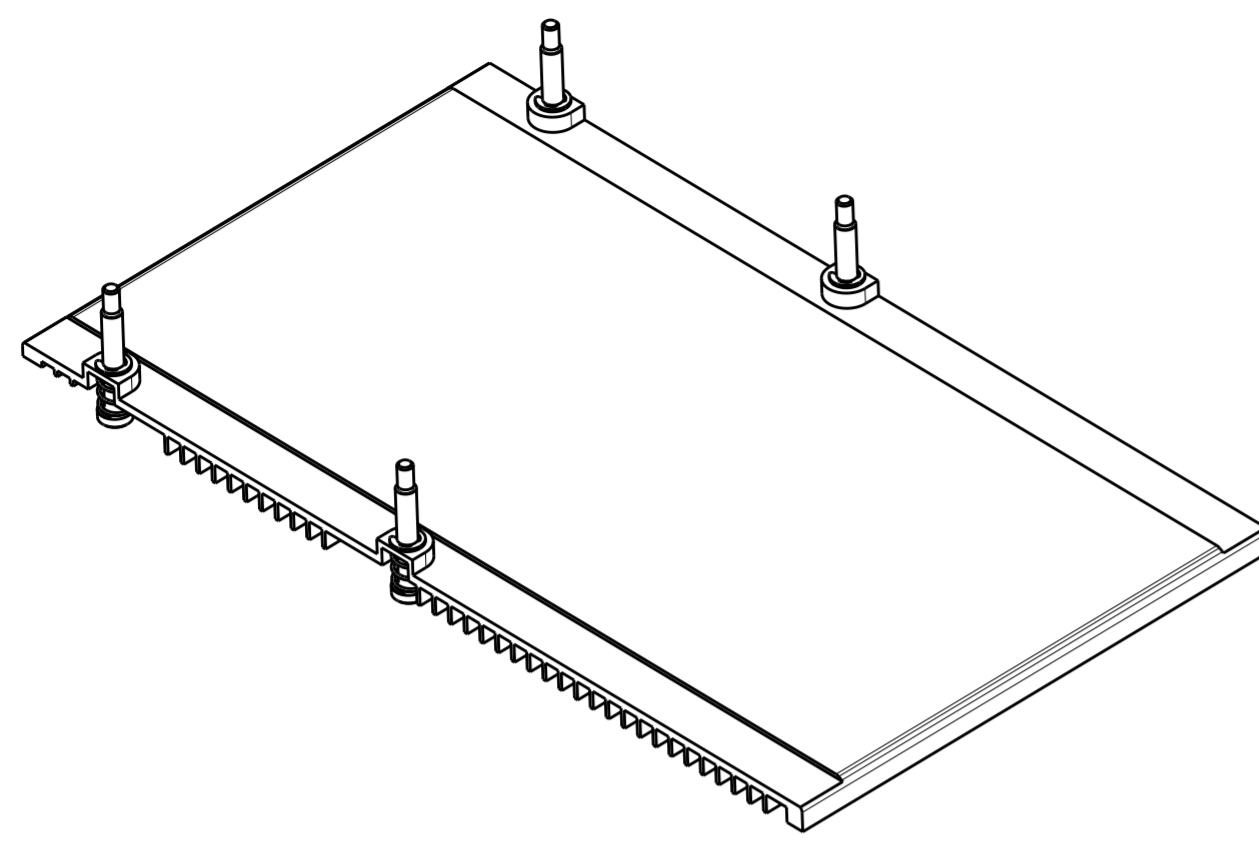
2274283-1 AS SHOWN

THIS DRAWING IS A CONTROLLED DOCUMENT.


DWN C. VALENTINE 17SEP2013	TE Connectivity HEAT SINK ASSEMBLY 100 GIG PLUGGABLE
CHK M. SCHMITT 17SEP2013	
APVD M. SCHMITT 17SEP2013	
PRODUCT SPEC	
MATERIAL	APPLICATION SPEC
WEIGHT	RESTRICTED TO
CUSTOMER DRAWING	SCALE 1.000 SHEET 1 OF 3 REV C

THIS DRAWING IS UNPUBLISHED. RELEASED FOR PUBLICATION 20
 © COPYRIGHT 20 BY - ALL RIGHTS RESERVED.

LOC		DIST		REVISIONS			
P	LTR	DESCRIPTION	DATE	DWN	APVD		
-		SEE SHEET 1	-	-	-		



2274283-3 AS SHOWN
 UNSPECIFIED DIMENSIONS REFER 2274283-1

THIS DRAWING IS A CONTROLLED DOCUMENT.		DWN C. VALENTINE 17SEP2013	 TE Connectivity	
DIMENSIONS: mm(inch)		CHK M. SCHMITZ 17SEP2013		
TOLERANCES UNLESS OTHERWISE SPECIFIED:		APVD M. SCHMITZ 17SEP2013	NAME HEAT SINK ASSEMBLY 100 GIG PLUGGABLE	
0 PLC ±	1 PLC ±.5	PRODUCT SPEC	SIZE	
2 PLC ±.25	3 PLC ±.125	APPLICATION SPEC	CAGE CODE	DRAWING NO
4 PLC ±.0001	ANGLES ±	WEIGHT	A200779	C-2274283
FINISH		CUSTOMER DRAWING	SCALE 1.000	SHEET 2 OF 3
MATERIAL				REV C

4

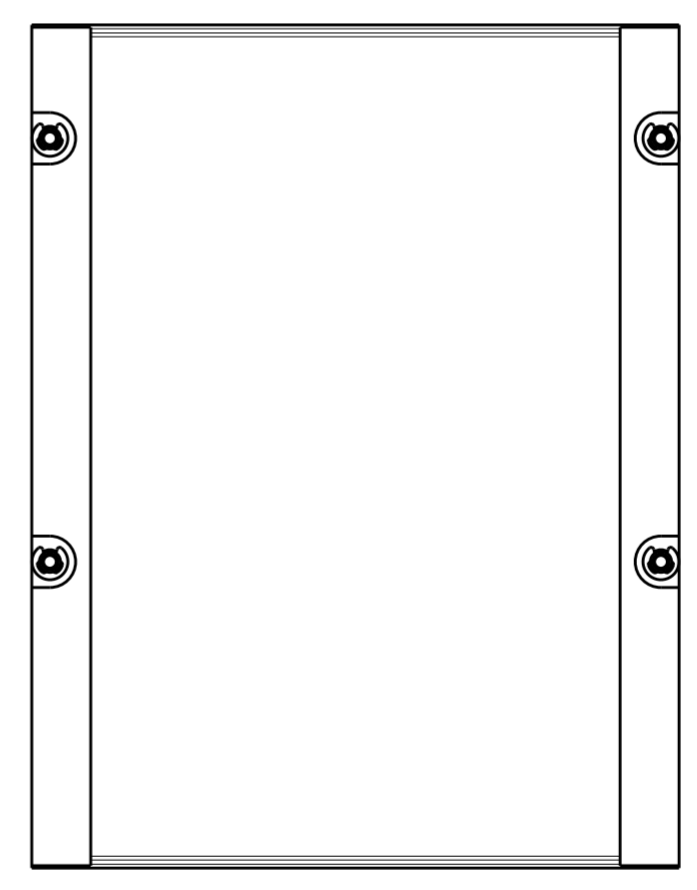
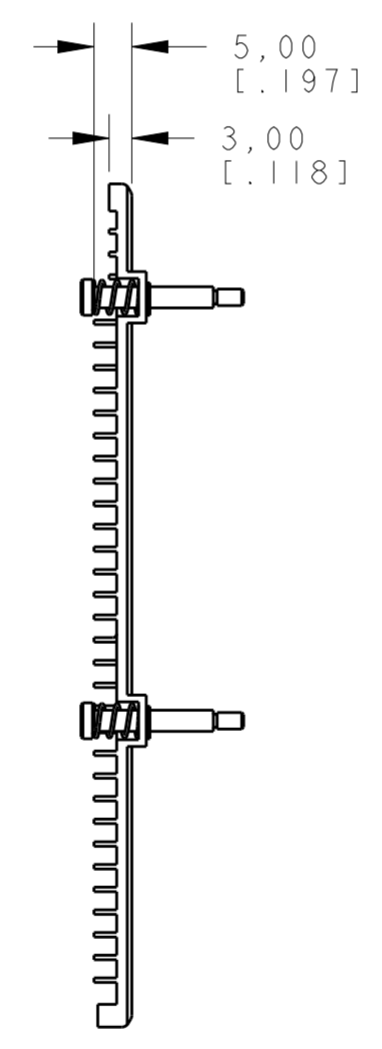
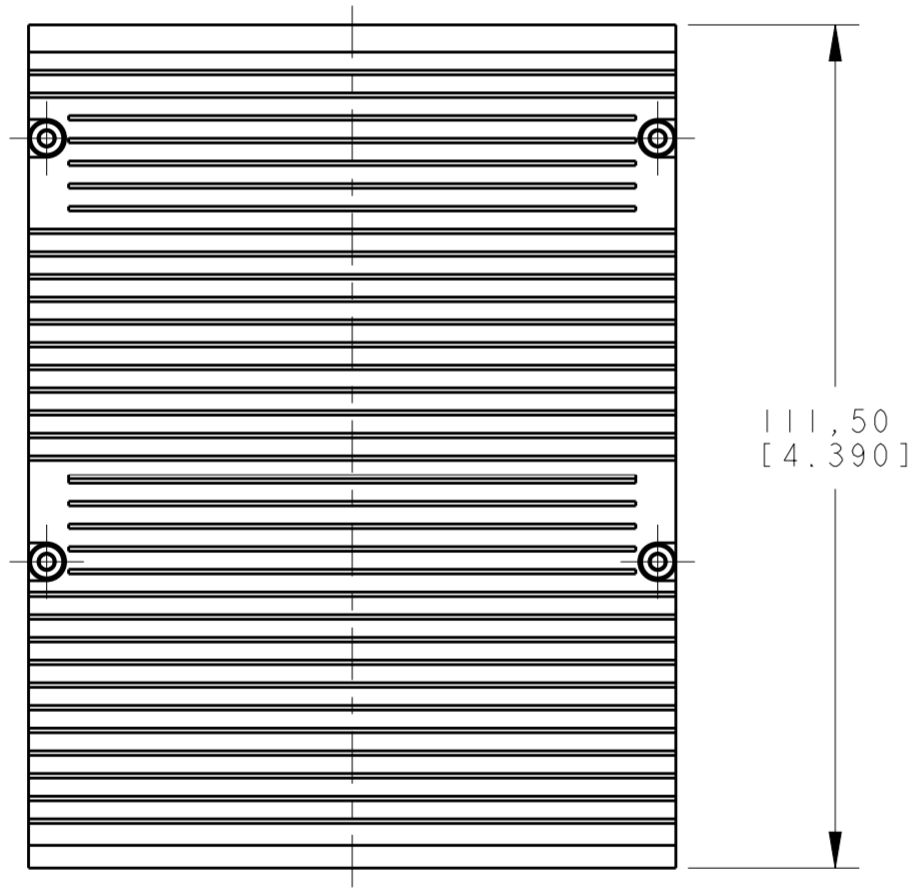
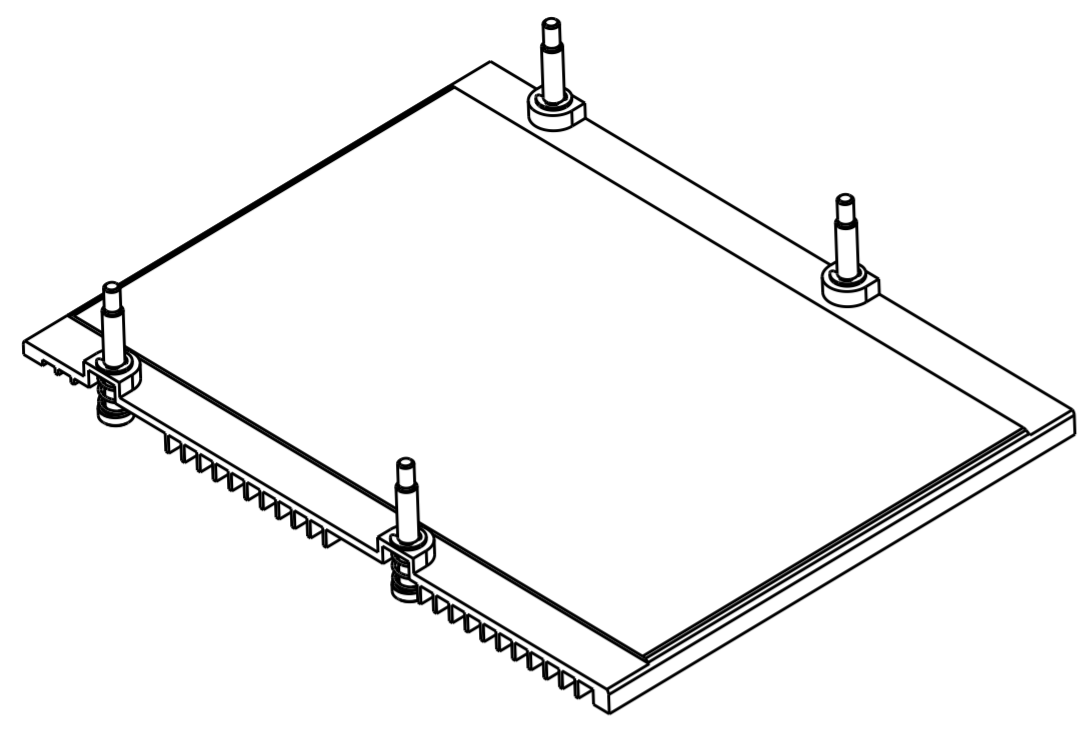
3

2

1

THIS DRAWING IS UNPUBLISHED. RELEASED FOR PUBLICATION 20
 © COPYRIGHT 20 BY - ALL RIGHTS RESERVED.

LOC		DIST		REVISIONS			
P	LTR	DESCRIPTION	DATE	DWN	APVD		
-	-	SEE SHEET 1	-	-	-		



2274283-5 AS SHOWN
 UNSPECIFIED DIMENSIONS REFER 2274283-1

THIS DRAWING IS A CONTROLLED DOCUMENT.		DWN C. VALENTINE 17SEP2013	TE Connectivity	
DIMENSIONS:		CHK M. SCHMITT 17SEP2013		
mm	TOLERANCES UNLESS OTHERWISE SPECIFIED:	APVD M. SCHMITT 17SEP2013	NAME HEAT SINK ASSEMBLY 100 GIG PLUGGABLE	
	0 PLC ± 1 PLC ±0.5 2 PLC ±0.25 3 PLC ±0.125 4 PLC ±0.0001 ANGLES ±1° FINISH	PRODUCT SPEC -	SIZE -	
MATERIAL	material_2	APPLICATION SPEC -	CAGE CODE A200779	DRAWING NO C-2274283
finish_spec_2		WEIGHT -	RESTRICTED TO -	SCALE 1.000 SHEET 3 OF 3 REV C
CUSTOMER DRAWING				