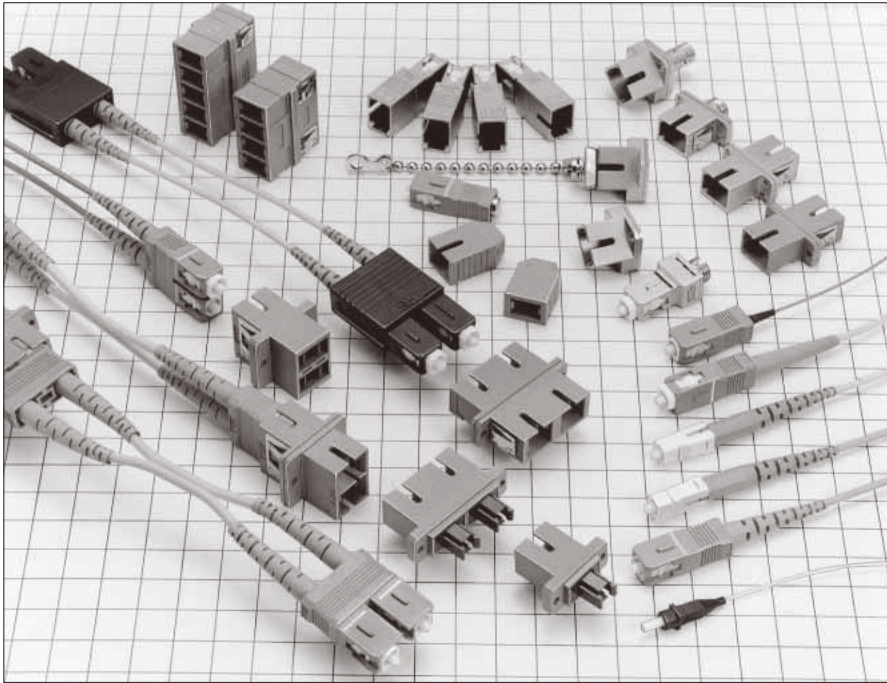


SC Type Fiber Optic Connectors

HSC Series



■ Features

1. IEC, JIS standard compliant and intermateability test certified.

Comply with IEC 61754-4 and JIS C 5973(F04).
SC intermate test by NTT certified connector.

2. Flame resistant

Satisfies flammability rating UL94V-0.

3. Three types of Duplex SC connector

Available in following types;

Flexible F type – Floating mechanism and comply with ANSI standards.

Rigid F type – 12.7mm spacing between the fibers, low profile and compatibility with the flexible F-type.

Rigid H type – 8.5mm spacing between the fibers and for high density applications.

4. Simplified plugs and receptacles

Small size (23.8 mm plug length). SC simplified plug is designed for equipments inside connection. Comply with IEC 61754-4-1.

Product Specifications

| Ratings | | Operating temperature range | | -25°C to +70°C | Storage temperature range | | -25°C to +70°C |
|-------------------------------|--|-----------------------------|---|----------------|---------------------------------|---|----------------|
| Item | | Test Method (IEC 61300) | | | Specifications | | |
| Optical Characteristics | Insertion Loss | (SM) | Wavelength 1310nm (LD) | | 0.5dB max. (PC, AdPC, APC) | | |
| | | (GI) | Wavelength 1310nm (LED) | | 0.3dB max. (PC) | | |
| | Return Loss | (SM) | Wavelength 1310nm (LD) | | 22dB min. (PC) 40dB min. (AdPC) | | |
| | | (GI) | | | 22dB min. (PC) | | |
| Mechanical Characteristics | Engagement and Separation force | | Measured with corresponding connector. | | | Simplex plug Engagement force: 19.6 N max. Separation force: 19.6 N max. Duplex plug Engagement force: 39 N max. Separation force: 39 N max. | |
| | Ferrule withdrawal force | | Extract zirconia gauge 2.499 ±0.0005 mm dia from split sleeve. | | | Copper alloy split sleeve 2N to 5.9N Zirconia split sleeve 2N to 3.9N | |
| | Cable retention (Straight pull) | | 89N tensile load for one minute. | | | 1) Insertion loss fluctuation after test: 0.2dB max. 2) No visible damage, dislocation of clamp or cable. | |
| | Durability (cycles, mating/un-mating) | | 1000 times | | | 1) Insertion loss fluctuation after test: 0.2dB max. 2) No visible damage, cracks or part dislocation. | |
| | Vibration | | Frequency: 10 to 55 Hz, single amplitude of 0.75 mm, 2 hours in each of the 3 axis. | | | | |
| | Shock | | Acceleration of 981 m/s ² , 6 ms duration, half sine shock pulse, 10 cycles in each of the 3 axis. | | | | |
| Environmental Characteristics | Humidity (Temperature/ humidity- cycles) | | -10°C to +65°C, humidity: 90% to 96% 10 cycles | | | 1) Insertion loss fluctuation after test: 0.2dB max. 2) No visible damage, cracks or part dislocation. | |
| | Change of temperature | | -40°C to +75°C 42 cycles (Complies with Telcordia standard GR-326-CORE) | | | | |
| | Dry heat | | 240 hours at 85°C | | | | |
| | Cold | | 240 hours at -25°C | | | | |
| | Salt mist | | 48 hours in a 5% concentration of salt mist | | | No significant corrosion. | |

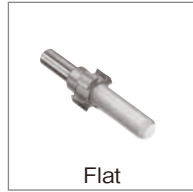
Materials

| Part | Material |
|----------------------------|-------------------------------|
| Simplex plug housing | Synthetic resin |
| Spring | Stainless steel |
| Ferrule | Zirconia |
| Simplex adapter housing | Synthetic resin or Zinc alloy |
| 4-position adapter housing | Synthetic resin |
| 5-position adapter housing | Synthetic resin |
| Receptacle housing | Zinc alloy |
| Split sleeve | Zirconia or Phosphor Bronze |
| Dust cap | Synthetic resin |

■ Function diagram

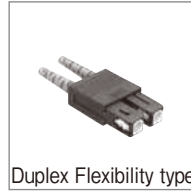
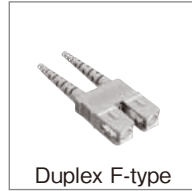
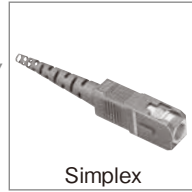
Plugs

Ferrules



Plug housings

Manual coupling/ decoupling type

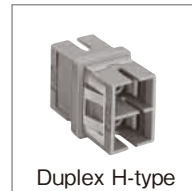
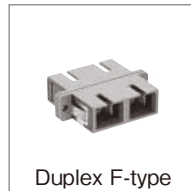
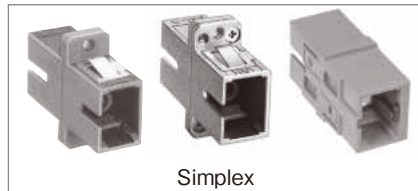


Tool decoupling type



Adapters

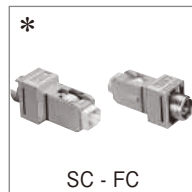
Manual coupling/ decoupling type



Tool decoupling type



Conversion adapters



Note *Please refer to the section HRFC.

Receptacle



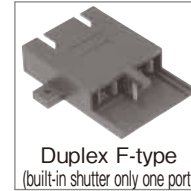
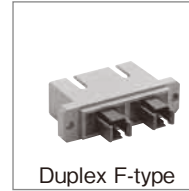
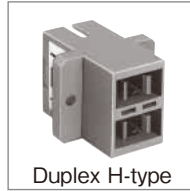
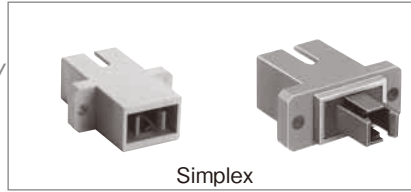
Simplified plugs & receptacles

Plugs

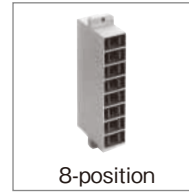
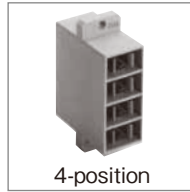


Receptacles

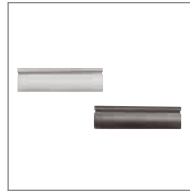
Manual coupling/
decoupling type



Tool decoupling
type



Split sleeve



Caps

For plug



For adapter

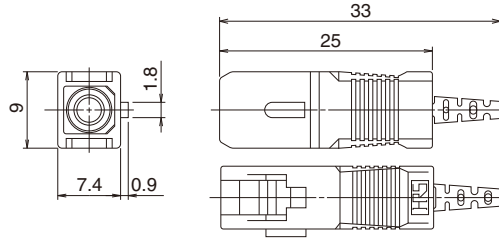


2. Plug Housings

Please use them with the ferrule.

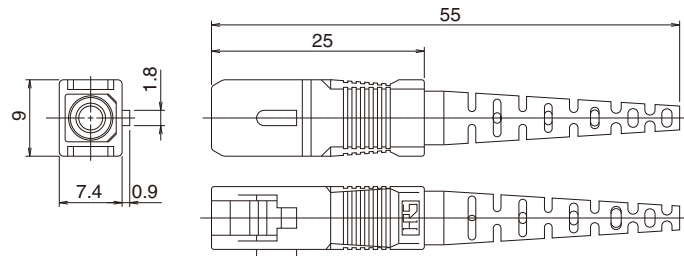
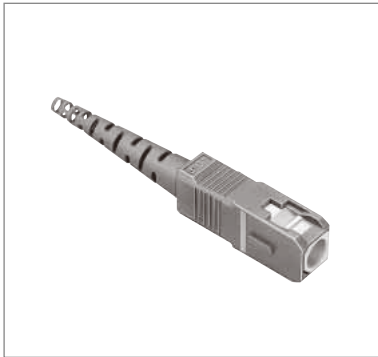
■ Manual coupling / decoupling type

● Light weight type (For 0.9mm fiber)



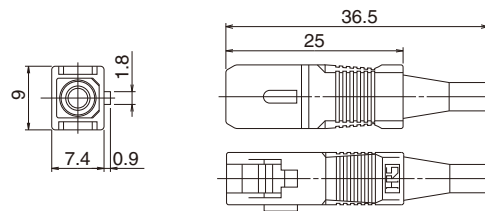
| Part Number | CL No. | Boot color | Slider color | Polishing type |
|------------------|---------------|--------------|--------------|----------------|
| HSC-PH0.9-E1(26) | 704-0339-2-26 | Blue | Blue | PC |
| HSC-PH0.9-E2(51) | 704-0354-6-51 | Light purple | | AdPC |
| HSC-PH0.9-E5(51) | 704-3104-5-51 | Green | Green | APC |

● Strain relief type



| Part Number | CL No. | Fiber cable type | Slider color | Boot color | Polishing type | Outer jacket fixing |
|----------------|---------------|------------------|--------------|--------------|----------------|---------------------|
| HSC-PH2-E1(64) | 704-0327-3-64 | φ2mm | Blue | Blue | PC | Crimp |
| HSC-PH2-E2(75) | 704-0328-6-75 | | Light purple | AdPC | | |
| HSC-PH2-E5(62) | 704-3108-6-62 | | Green | Green | APC | |
| HSC-PH3-B1(68) | 704-0222-5-68 | φ3mm | Blue | Blue | PC | Crimp |
| HSC-PH3-B2(68) | 704-0223-8-68 | | | Light purple | AdPC | |
| HSC-PH3-B5(62) | 704-3020-7-62 | | Green | Green | APC | |

● Short length type (For 2mm Cable)



| Part Number | CL No. | Slider color | Boot color | Polishing type | Outer jacket fixing |
|------------------|---------------|--------------|--------------|----------------|---------------------|
| HSC-PH2-E1-A(62) | 704-0464-4-62 | Blue | Blue | PC | Glue |
| HSC-PH2-E2-A(62) | 704-0480-0-62 | | Light purple | AdPC | |
| HSC-PH2-E5-A(60) | 704-3124-2-60 | Green | Green | APC | |

Jul.1.2023 Copyright 2023 HIROSE ELECTRIC CO., LTD. All Rights Reserved.

SC

FC

MU

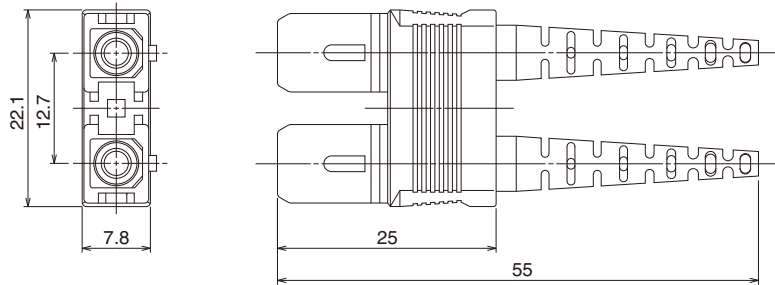
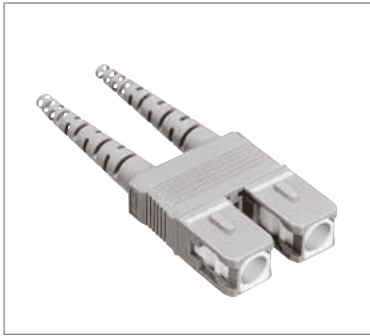
Harsh Environment

Attenuators

Terminators

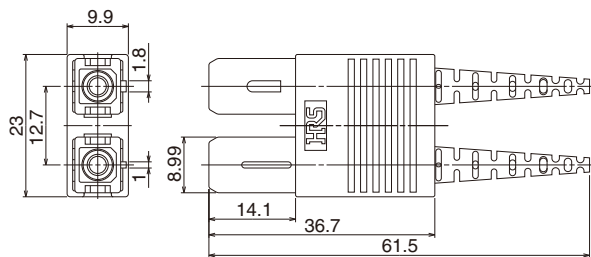
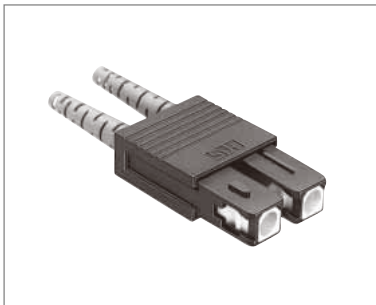
POF / PCF

● Duplex F-type



| Part Number | CL No. | Applicable Fiber cable | Guide key | Slider color | Boot Color | Polishing type |
|---------------------|---------------|------------------------|-----------|--------------|--------------|----------------|
| HSCF-2PH2-E1(P)(62) | 704-2109-3-62 | φ2mm | P | Blue | Blue | PC |
| HSCF-2PH2-E2(P)(62) | 704-2120-6-62 | | | | Light purple | AdPC |
| HSCF-2PH3-B1(P)(63) | 704-2032-0-63 | φ3mm | | | Blue | PC |
| HSCF-2PH3-B2(P)(65) | 704-2036-1-65 | | | | Light purple | AdPC |

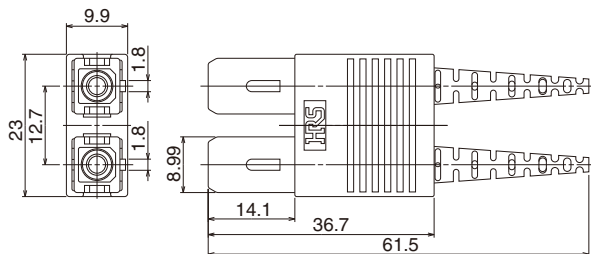
● Duplex Flexibility type (Comply with ANSI), for single Mode



| Part Number | CL No. | Applicable Fiber cable | Slider color | Boot Color | Polishing type |
|-------------------|---------------|--|--------------|--------------|----------------|
| HSCM-2SPH2-B1(60) | 704-2100-9-60 | Simplex-2mm dia. cable or dual fiber zip cable | Black | Blue | PC |
| HSCM-2SPH3-B1(60) | 704-2102-4-60 | Simplex-3mm dia. cable or dual fiber zip cable | | Light purple | AdPC |
| HSCM-2SPH2-B2(60) | 704-2133-8-60 | Simplex-2mm dia. cable or dual fiber zip cable | | | |

The pitch size between plugs is flexible.
It is possible to connect it with duplex F-type adapter.

● Duplex Flexibility type (Comply with ANSI), for Multi-mode



| Part Number | CL No. | Applicable Fiber cable | Slider color | Boot Color | Polishing type |
|-------------------|---------------|--|--------------|------------|----------------|
| HSCM-2GPH2-B1(60) | 704-2104-0-60 | Simplex-2mm dia. cable or dual fiber zip cable | Black | Blue | PC |
| HSCM-2GPH3-B1(60) | 704-2106-5-60 | Simplex-3mm dia. cable or dual fiber zip cable | | | |

The pitch size between plugs is flexible.
It is possible to connect it with duplex F-type adapter.

SC

FC

Copyright 2023 HIROSE ELECTRIC CO., LTD. All Rights Reserved.

Environment

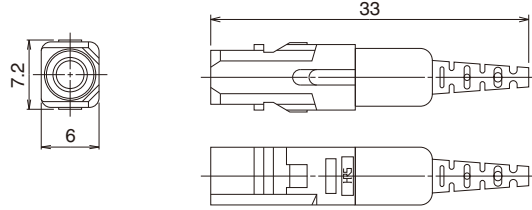
Attenuators

Terminators

POF / PCF

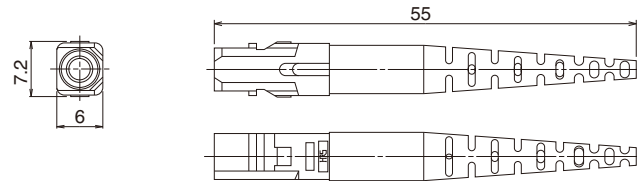
■ Tool decoupling type

● Light weight type (For 0.9mm fiber)



| Part Number | CL No. | Boot Color | Polishing type |
|-------------------|---------------|--------------|----------------|
| HSC2-PH0.9-E1(51) | 704-0421-1-51 | Blue | PC |
| HSC2-PH0.9-E2(51) | 704-0422-4-51 | Light purple | AdPC |

● Strain relief type

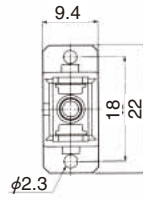
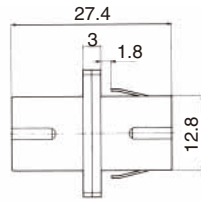


| Part Number | CL No. | Fiber cable type | Boot color | Polishing type | Outer jacket fixing |
|-----------------|---------------|------------------|--------------|----------------|---------------------|
| HSC2-PH2-E1(69) | 704-0329-9-69 | φ2mm | Blue | PC | Glue |
| HSC2-PH2-E2(68) | 704-0330-8-68 | | Light purple | AdPC | |
| HSC2-PH3-B1(63) | 704-0226-6-63 | φ3mm | Blue | PC | Crimp |
| HSC2-PH3-B2(63) | 704-0227-9-63 | | Light purple | AdPC | |

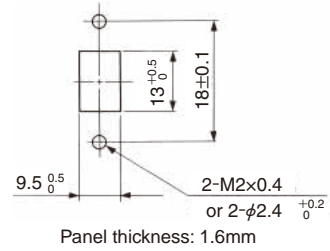
3.Adapters & Receptacles

■ Manual coupling / decoupling type

● SC/SC Plastic Housing

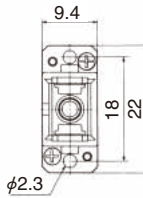
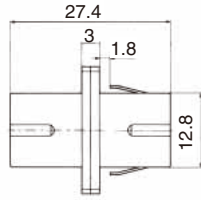
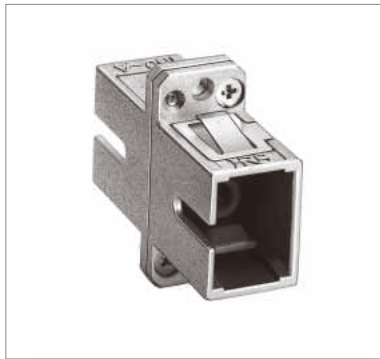


◆ Panel cutout

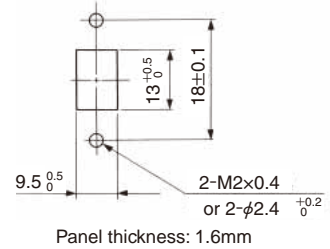


| Part Number | CL No. | Split sleeve | Remarks |
|---------------|---------------|-----------------|---------------|
| HSC-A3(51) | 704-0092-1-51 | Phosphor Bronze | PC,AdPC(Blue) |
| HSC-A3-D1(02) | 704-0217-5-02 | Zirconia | |
| HSC-A3-D2(06) | 704-3007-9-06 | Zirconia | APC(Green) |

● SC/SC Die Cast Metal Housing

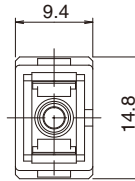
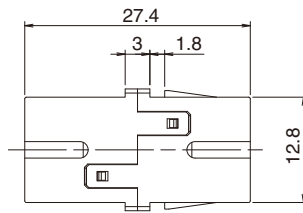


◆ Panel cutout

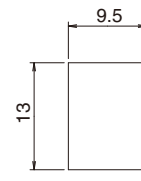


| Part Number | CL No. | Split sleeve |
|---------------|---------------|-----------------|
| HSC-A2(50) | 704-0020-0-50 | Phosphor Bronze |
| HSC-A2-D1(01) | 704-0258-2-01 | Zirconia |

● SC/SC Plastic Housing (Short flange)



◆ Panel cutout



Panel thickness: 1.6mm

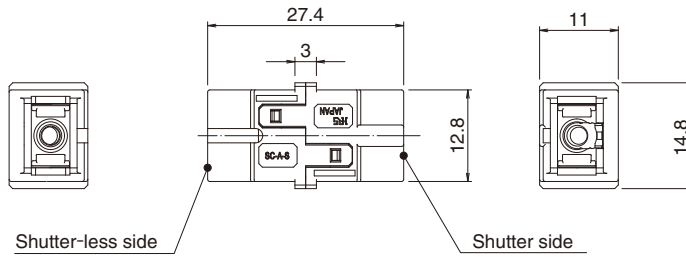
| Part Number | CL No. | Split sleeve | Snap in latch for panel mount | Remarks |
|----------------|---------------|--------------|-------------------------------|---------------|
| HSC-AFR-D1(01) | 704-0572-7-01 | Zirconia | without latch | PC,AdPC(Blue) |
| HSC-AFR-D2(01) | 704-0573-0-01 | Zirconia | with latch | |

Note: When applying excessive force to the plug or inserting in an odd angle, the adapter housing might be damaged.

Jul.1.2023 Copyright 2023 HIROSE ELECTRIC CO., LTD. All Rights Reserved.
 MU
 Environment
 Attenuators
 Terminators

POF / PCF

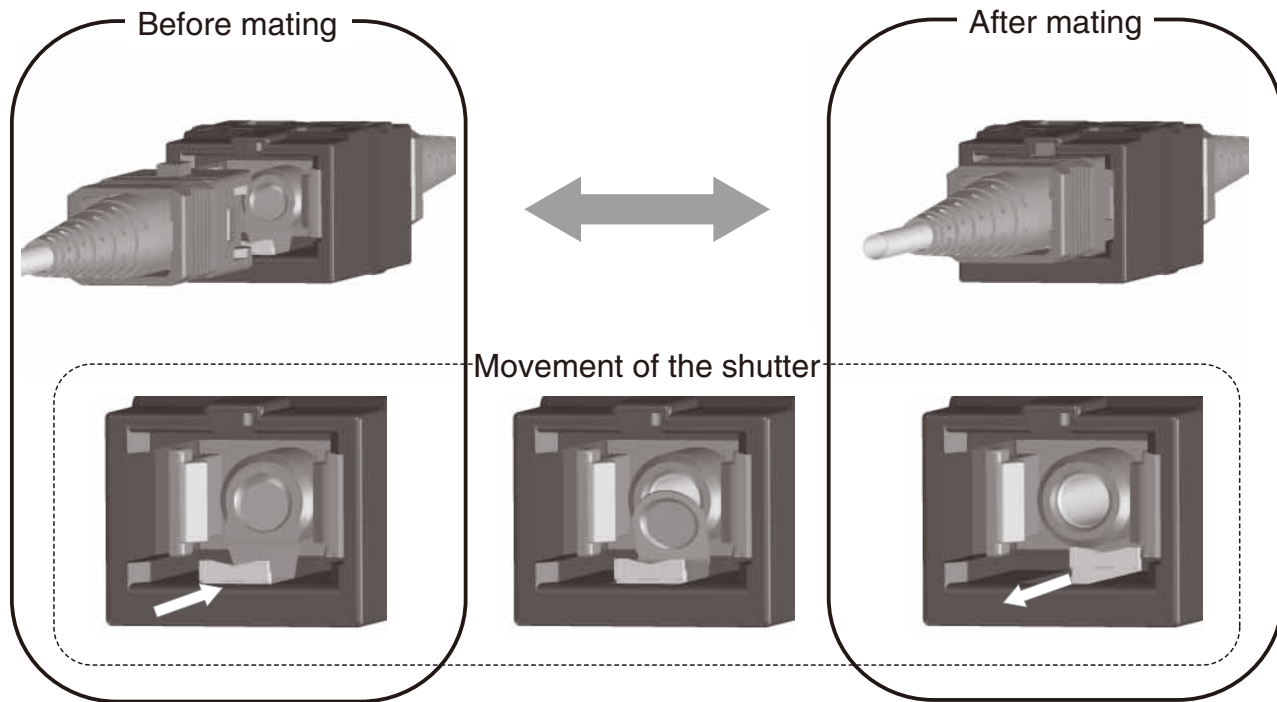
● SC/SC Plastic Housing (With shutter)



| Part Number | CL No. | Split sleeve | Remarks |
|----------------|---------------|--------------|----------------|
| HSC-AFL1-S1-D1 | 704-0593-7-00 | Zirconia | PC, AdPC(Blue) |
| HSC-AFL1-S1-D2 | 704-3141-1-00 | Zirconia | APC(Green) |

Features

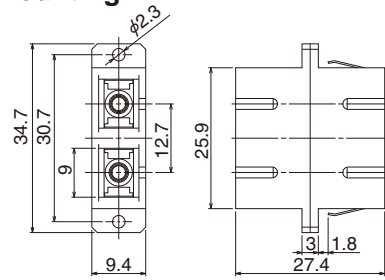
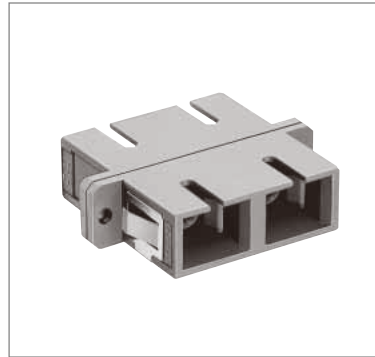
With built-in automatic shutter.



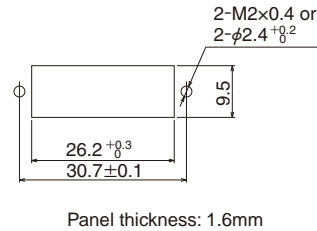
Jul.1.2023 Copyright 2023 HIROSE ELECTRIC CO., LTD. All Rights Reserved.

- SC
- FC
- MU
- Harsh Environment
- Attenuators
- Terminators
- POF / PCF

● F type Snap-in and/or Screw Mounting

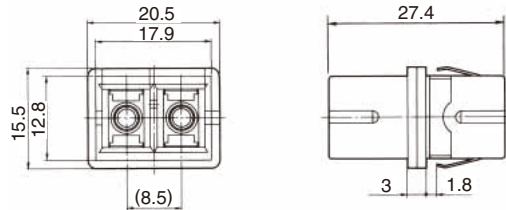


◆ Panel cutout

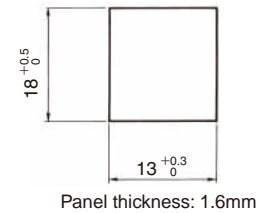


| Part Number | CL No. | Split sleeve | Remarks |
|-------------------|---------------|-----------------|----------------|
| HSCF-2A(P)(51) | 704-2008-6-51 | Phosphor Bronze | PC, AdPC(Blue) |
| HSCF-2A-D(P)(06) | 704-2040-9-06 | Zirconia | |
| HSCF-2A-D2(P)(06) | 704-2112-8-06 | | APC(Green) |

● H type Snap-in

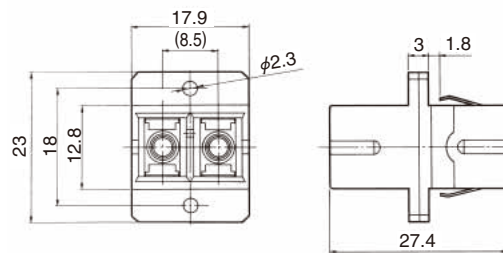


◆ Panel cutout

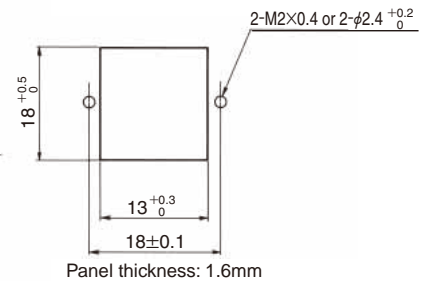


| Part Number | CL No. | Split sleeve | Remarks |
|-----------------|---------------|-----------------|----------------|
| HSCH-2A1(P)(51) | 704-2066-2-51 | Phosphor Bronze | PC, AdPC(Blue) |
| HSCH-2A1-D2(P) | 704-2137-9-00 | Zirconia | APC(Green) |

● H type Snap-in and/or Screw Mounting



◆ Panel cutout



| Part Number | CL No. | Split sleeve | Remarks |
|-------------------|---------------|-----------------|----------------|
| HSCH-2A(P)(51) | 704-2020-1-51 | Phosphor Bronze | PC, AdPC(Blue) |
| HSCH-2A-D(P)(02) | 704-2062-1-02 | Zirconia | |
| HSCH-2A-D2(P)(03) | 704-2108-0-03 | | APC(Green) |

SC

FC

Environment

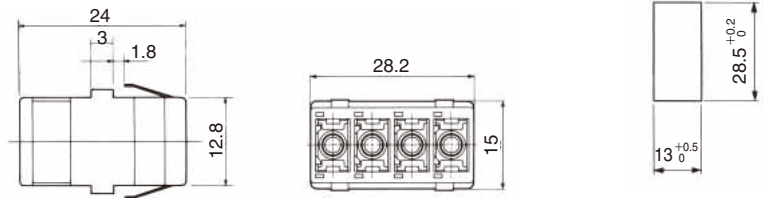
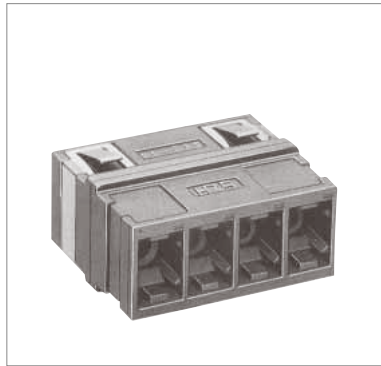
Attenuators

Terminators

POF / PCF

■ Tool decoupling type

● SC2/SC2 4-way adapter

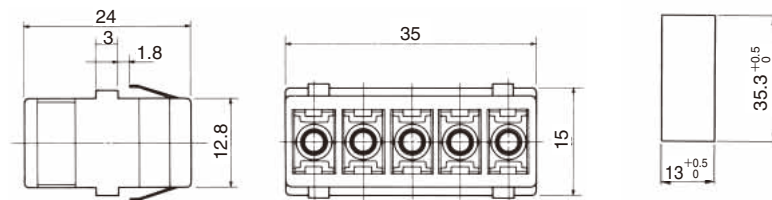


Panel thickness: 1.6mm

| Part Number | CL No. | Split sleeve | Remarks |
|----------------|---------------|-----------------|---------------|
| HSC2-4A(51) | 704-0024-1-51 | Phosphor Bronze | PC,AdPC(Blue) |
| HSC2-4A-D1(01) | 704-0290-5-01 | Zirconia | |

Note: When applying excessive force to the plug or inserting in an odd angle, the zirconia sleeve within the adapter might be damaged.

● SC2/SC2 5-way adapter(for Multi-mode fiber)



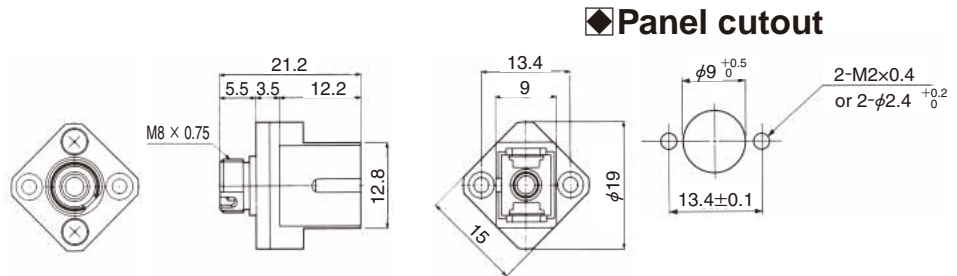
Panel thickness: 1.6mm

| Part Number | CL No. | Split sleeve | Remarks |
|-------------|---------------|-----------------|---------------|
| HSC2-5A(51) | 704-0025-4-51 | Phosphor Bronze | PC,AdPC(Blue) |

Note: When applying excessive force to the plug or inserting in an odd angle, the zirconia sleeve within the adapter might be damaged.

■ Conversion adapters

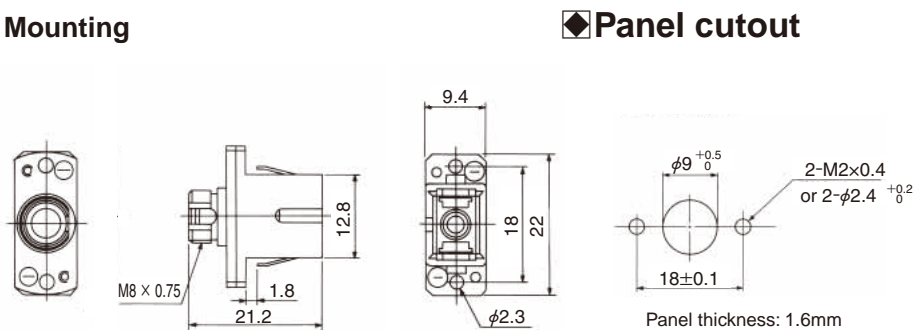
● FC / SC Screw Mounting



| Part Number | CL No. | Split sleeve |
|------------------|---------------|-----------------|
| HSCJ-HRFCJ-B(43) | 704-0021-3-43 | Phosphor Bronze |

Note: The type of SC plug that can be mated is manual coupling/decoupling type.

● FC / SC Snap-in and/or Screw Mounting



Panel thickness: 1.6mm

| Part Number | CL No. | Split sleeve |
|------------------|---------------|-----------------|
| HSCJ-HRFCJ-C(43) | 704-0206-9-43 | Phosphor Bronze |

Note: The type of SC plug that can be mated is manual coupling/decoupling type.

Jul.1.2023 Copyright 2023 HIROSE ELECTRIC CO., LTD. All Rights Reserved.

SC

FC

MU

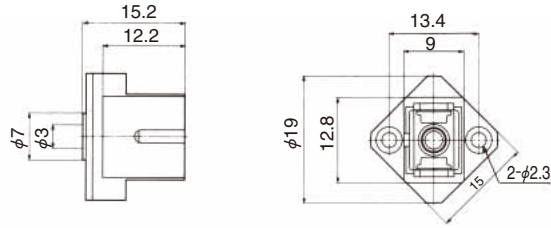
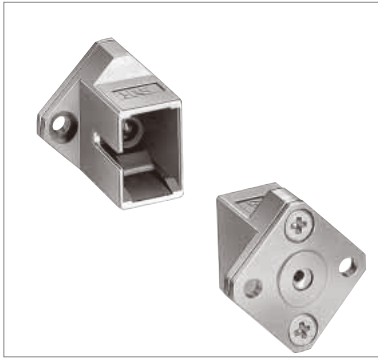
Harsh Environment

Attenuators

Terminators

POF / PCF

■ Receptacles



Note: Designed for power meter sensors

| Part Number | CL No. | Remarks |
|--------------|---------------|---------|
| HSC-R1-B(41) | 704-0022-6-41 | For MM |
| HSC-R2-B(41) | 704-0023-9-41 | For SM |

Note: The type of SC plug that can be mated is manual coupling/decoupling type.

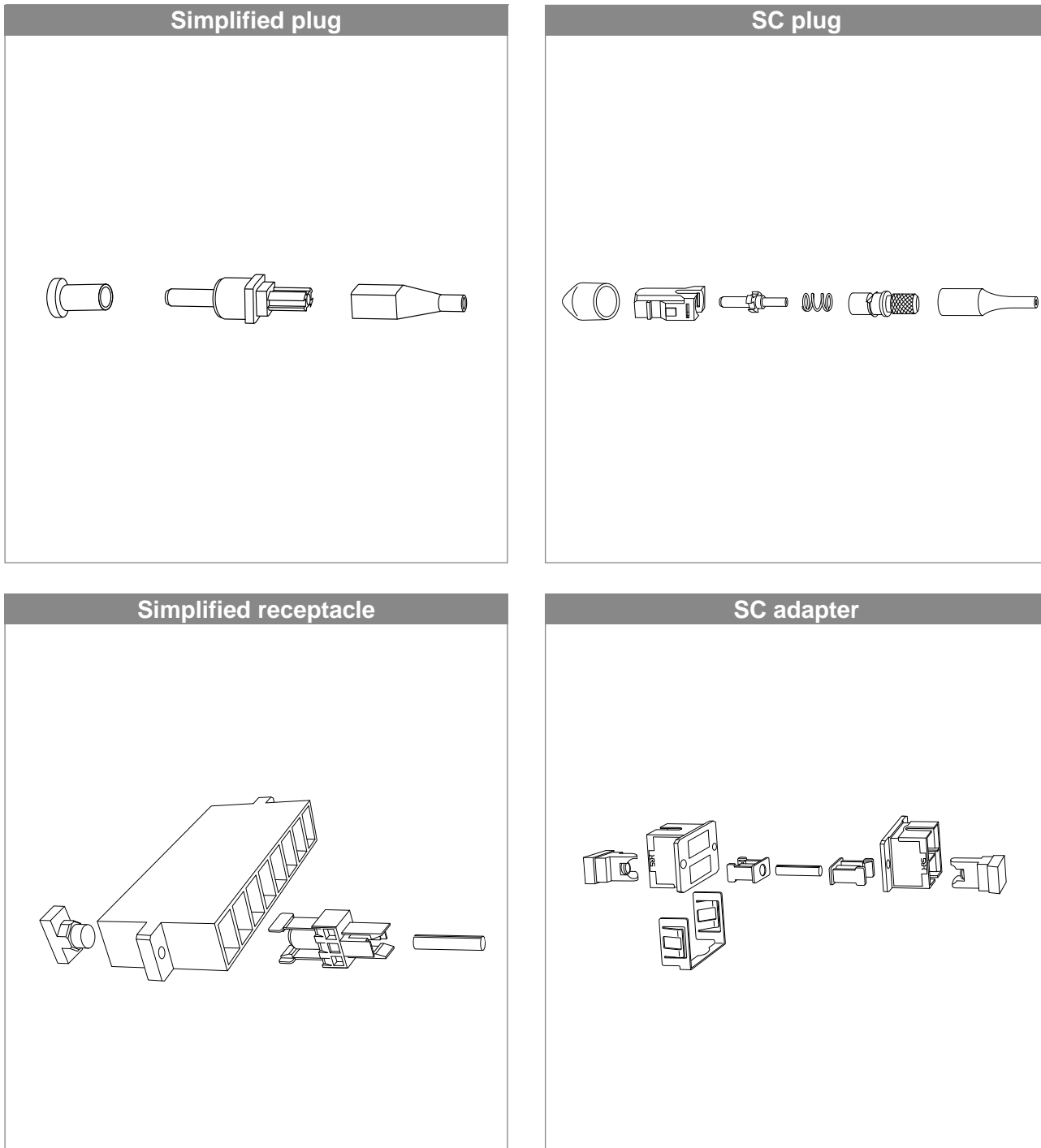
Jul.1.2023 Copyright 2023 HIROSE ELECTRIC CO., LTD. All Rights Reserved.
 Termination Attenuators Environment

POF / PCF

4. Simplified plugs & receptacles

■ Features

1. This product greatly reduced the number of parts compared with the SC connector, and achieved cost-saving.



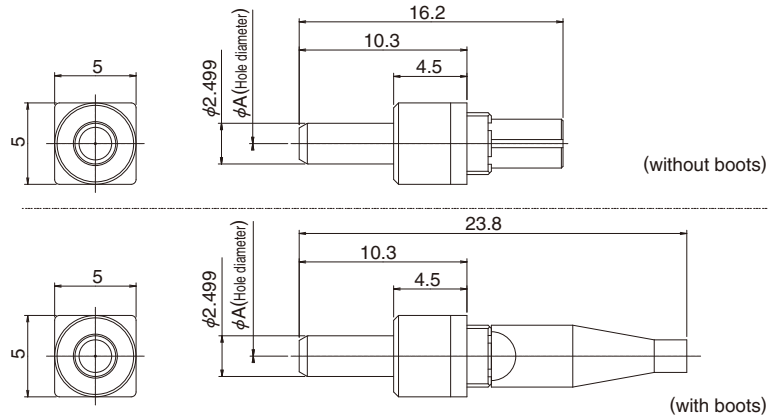
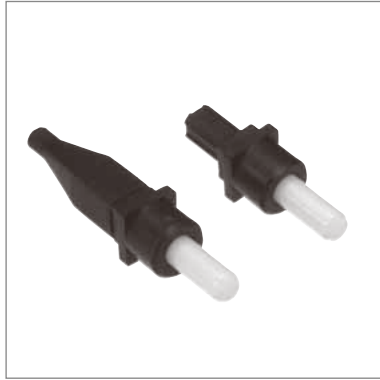
2. It achieved space-saving by using this product inside of the system.

3. Please use a special tool when you decouple the plug.

■ Simplified plug

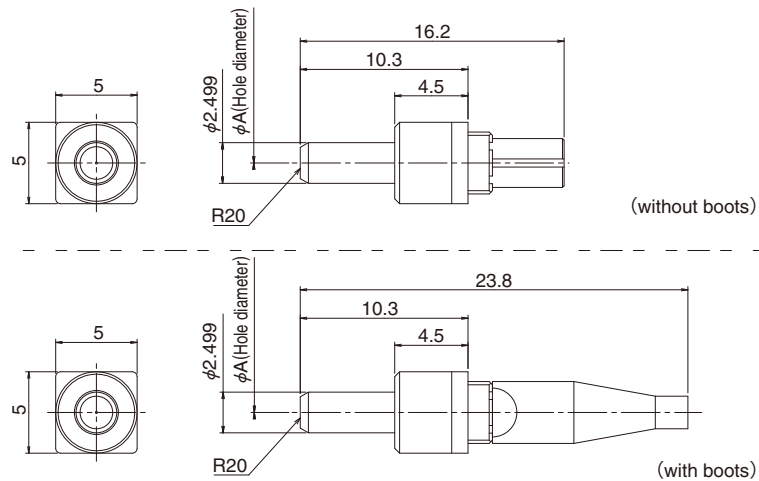
Please use the special decoupling tool when you unmate the simplified plug.

● Simplified plug(Flat)



| Part Number | CL No. | A dimension | Remarks |
|-------------------|---------------|-------------|---------------|
| HSC2-FK-A125(56) | 704-0267-3-56 | 0.125 | without boots |
| HSC2-FK-A1255(56) | 704-0269-9-56 | 0.1255 | |
| HSC2-FK-A126(56) | 704-0268-6-56 | 0.126 | |
| HSC2-FK-A125(51) | 704-0267-3-51 | 0.125 | with boots |
| HSC2-FK-A1255(51) | 704-0269-9-51 | 0.1255 | |
| HSC2-FK-A126(51) | 704-0268-6-51 | 0.126 | |

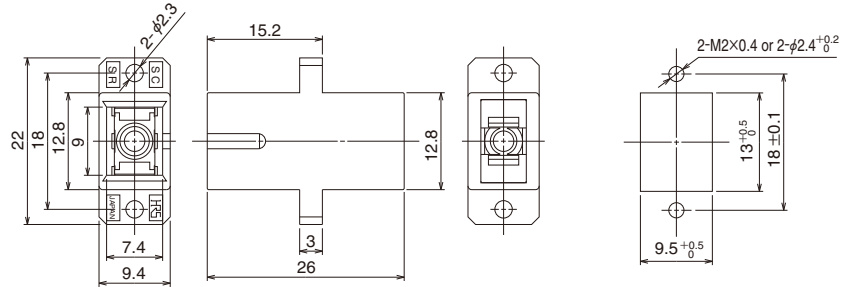
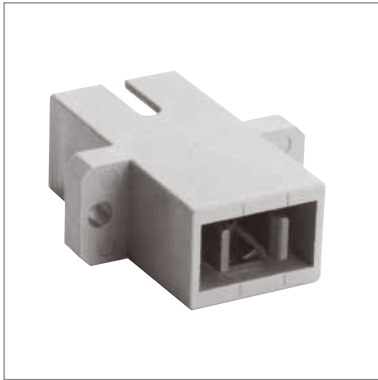
● Simplified plug(Pre-dome)



| Part Number | CL No. | A dimension | Remarks |
|--------------------|---------------|-------------|---------------|
| HSC2-FK2-A125(56) | 704-0407-0-56 | 0.125 | without boots |
| HSC2-FK2-A1255(56) | 704-0408-3-56 | 0.1255 | |
| HSC2-FK2-A126(56) | 704-0409-6-56 | 0.126 | |
| HSC2-FK2-A125(51) | 704-0407-0-51 | 0.125 | with boots |
| HSC2-FK2-A1255(51) | 704-0408-3-51 | 0.1255 | |
| HSC2-FK2-A126(51) | 704-0409-6-51 | 0.126 | |

■ Simplified receptacle to SC

● Simplex / Shrouded

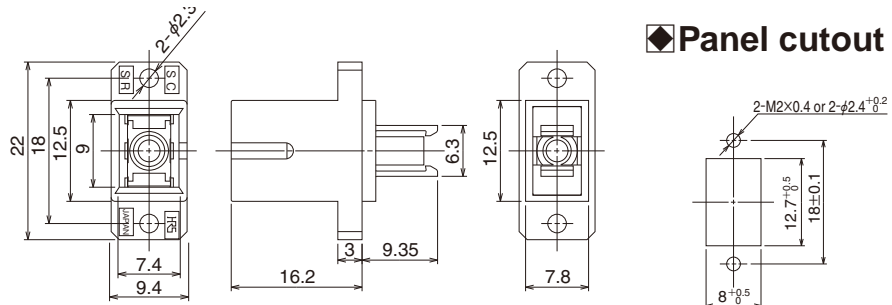
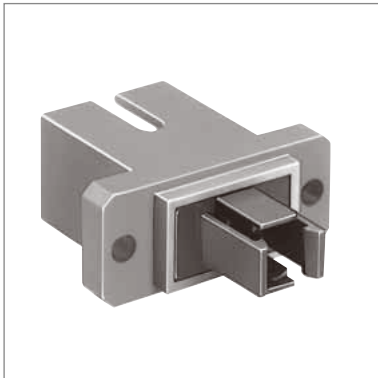


| Part Number | CL No. | Split sleeve |
|---------------|---------------|-----------------|
| HSC-SR-1(51) | 704-0320-4-51 | Phosphor Bronze |
| HSC-SR-D1(02) | 704-0321-7-02 | Zirconia |
| HSC-SR-1(03) | 704-0320-4-03 | None |

Note. The type of SC plug that can be mated is manual coupling/decoupling type.

◆ Panel cutout

● Simplex / Unshrouded

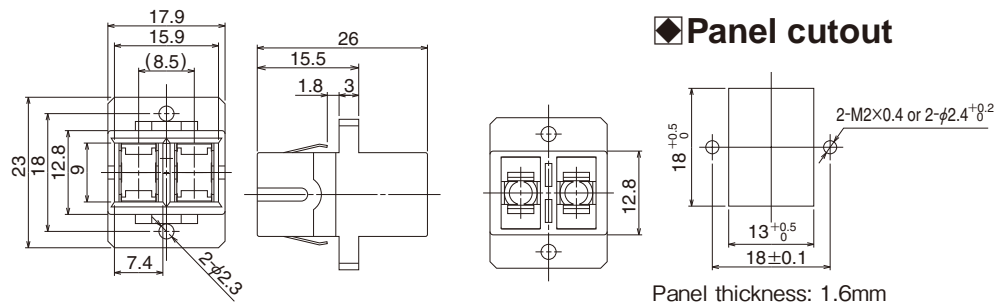
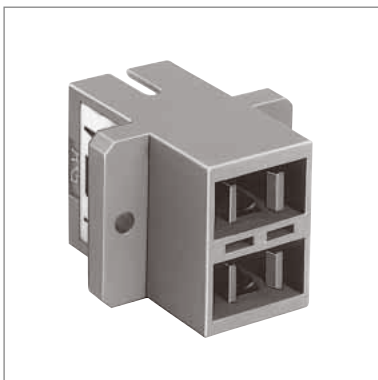


| Part Number | CL No. | Split sleeve |
|---------------|---------------|-----------------|
| HSC-SR-2(51) | 704-0291-8-51 | Phosphor Bronze |
| HSC-SR-D2(06) | 704-0292-0-06 | Zirconia |
| HSC-SR-2(03) | 704-0291-8-03 | None |

Note. The type of SC plug that can be mated is manual coupling/decoupling type.

◆ Panel cutout

● Duplex H type / Shrouded



Panel thickness: 1.6mm

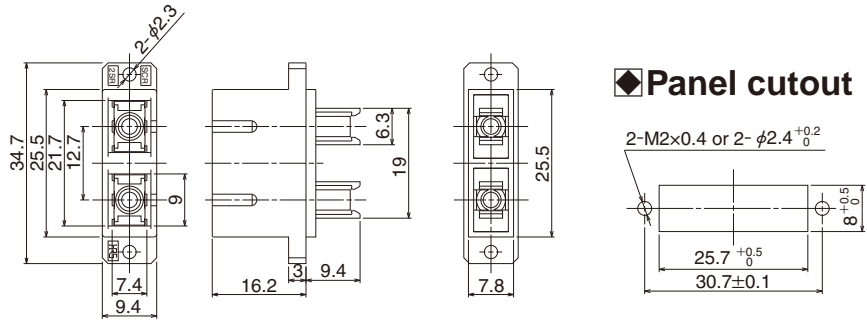
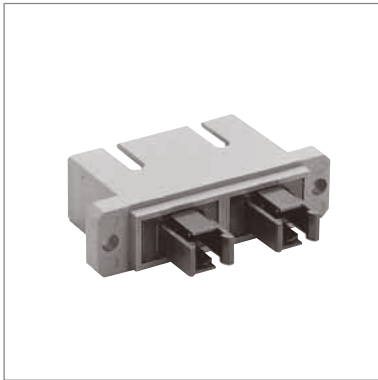
| Part Number | CL No. | Split sleeve |
|--------------------|---------------|-----------------|
| HSCH-2SR-1(R)(51) | 704-0293-3-51 | Phosphor Bronze |
| HSCH-2SR-D1(R)(01) | 704-0294-6-01 | Zirconia |

Note. The type of SC plug that can be mated is manual coupling/decoupling type.

◆ Panel cutout

SC

● Duplex F type / Unshrouded



| Part Number | CL No. | Split sleeve |
|-------------------|---------------|-----------------|
| HSCF-2SR-2(P)(51) | 704-0295-9-51 | Phosphor Bronze |
| HSCF-2SR-2(P)(03) | 704-0295-9-03 | None |

Note. The type of SC plug that can be mated is manual coupling/decoupling type.

FC

Jul.1.2023 Copyright 2023 HIROSE ELECTRIC CO., LTD. All Rights Reserved.

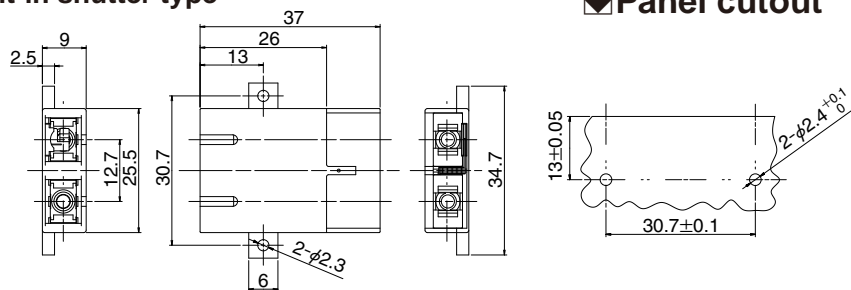
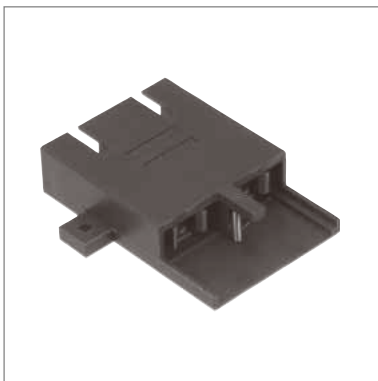
Environment

Attenuators

Terminators

POF / PCF

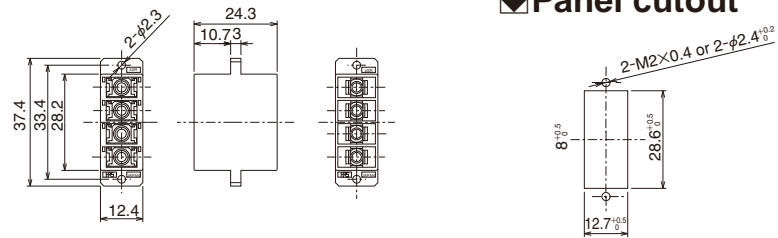
● Duplex F type / Shrouded, built-in shutter type



| Part Number | CL No. | Split sleeve |
|-------------|---------------|--------------|
| HSCF-2SR-S2 | 704-0516-6-00 | None |

※ The type of SC plug that can be mated is manual coupling/decoupling type.
Note. The shutter is built into only one of ports.

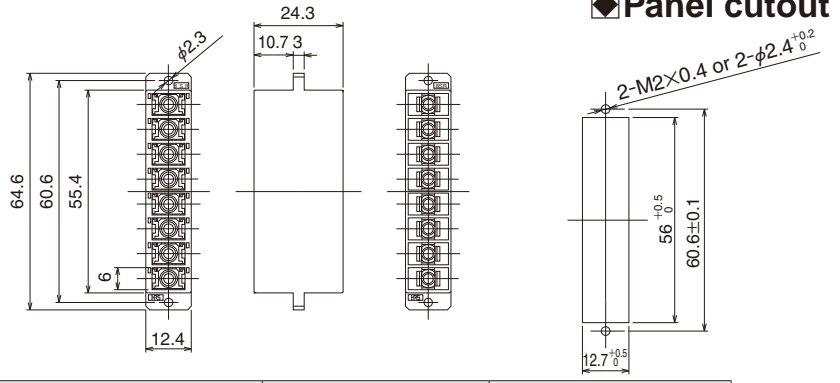
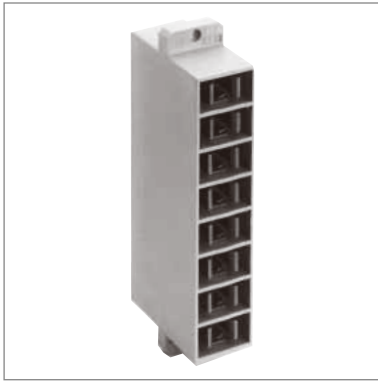
● 4-Position / Shrouded



| Part Number | CL No. | Split sleeve |
|-----------------|---------------|-----------------|
| HSC2-4SR-1(51) | 704-0311-3-51 | Phosphor Bronze |
| HSC2-4SR-D1(01) | 704-0312-6-01 | Zirconia |
| HSC2-4SR-1(03) | 704-0311-3-03 | None |

Note: When applying excessive force to the plug or inserting in an odd angle, the zirconia sleeve within the adapter might be damaged.
※ The type of SC plug that can be mated is tool decoupling type.

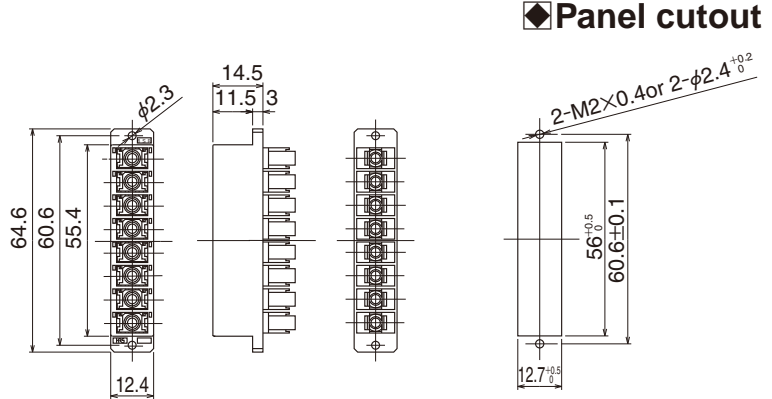
●8-Position / Shrouded



| Part Number | CL No. | Split sleeve |
|-----------------|---------------|--------------|
| HSC2-8SR-D1(01) | 704-0270-8-01 | Zirconia |
| HSC2-8SR-1(03) | 704-0266-0-03 | None |

Note: When applying excessive force to the plug or inserting in an odd angle, the zirconia sleeve within the adapter might be damaged.
 ※ The type of SC plug that can be mated is tool decoupling type.

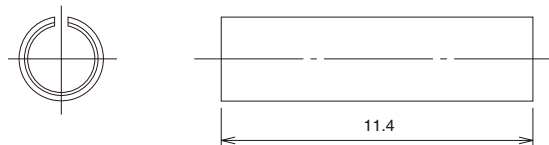
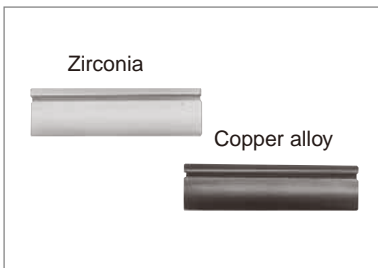
●8-Position / Unshrouded



| Part Number | CL No. | Split sleeve |
|-----------------|---------------|-----------------|
| HSC2-8SR-2(51) | 704-0318-2-51 | Phosphor Bronze |
| HSC2-8SR-D2(01) | 704-0403-0-01 | Zirconia |
| HSC2-8SR-2(03) | 704-0318-2-03 | None |

Note: When applying excessive force to the plug or inserting in an odd angle, the zirconia sleeve within the adapter might be damaged.
 ※ The type of SC plug that can be mated is tool decoupling type.

■Split sleeve



| Part Number | CL No. | Split sleeve |
|---------------------|---------------|-----------------|
| HSC-SLIT-SLEEVE(51) | 704-0275-1-51 | Phosphor Bronze |
| HSC-D | 704-0264-5-00 | Zirconia |

Jul.1.2023 Copyright 2023 HIROSE ELECTRIC CO., LTD. All Rights Reserved.

SC

FC

MU

Harsh Environment

Attenuators

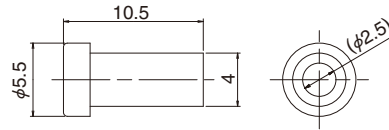
Terminators

POF / PCF

5. Caps

■ For plug

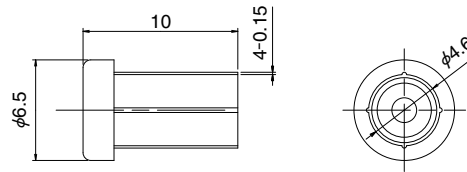
● Ferrule cap



| Part Number | CL No. |
|-------------|---------------|
| HSC-C7(20) | 704-0420-9-20 |

- ※ HRS standard cap for plugs.
- ※ Press fit to ferrule outer.

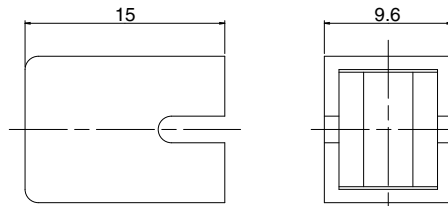
● Press fit to plug frame inner type cap



| Part Number | CL No. |
|-------------|---------------|
| HSC-C1 | 704-0484-1-00 |

- ※ Press fit to plug frame inner. The cap will not touch the outside ferrule.

● Cap for SC plug housing



| Part Number | CL No. |
|-------------|---------------|
| HSC-C8 | 704-0542-6-00 |

- ※ Press fit to outside of SC slider.

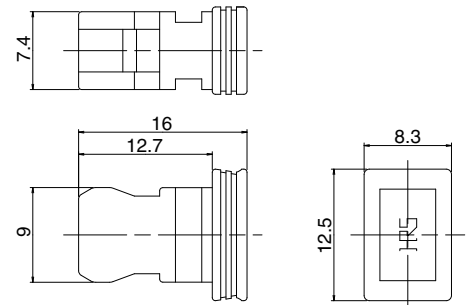
■ For adapter

● Simplex plastic cap



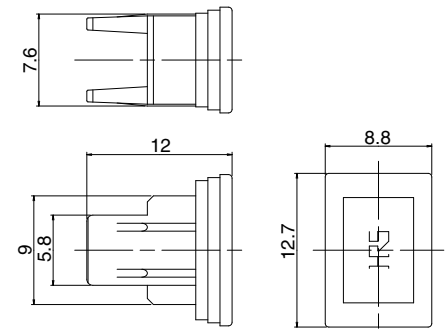
| Part Number | CL No. |
|-------------|---------------|
| HSC-C5 | 704-0363-7-00 |

- ※ HRS standard cap for SC adapters.
- ※ The cap is inserted in the lock part of the adapter.

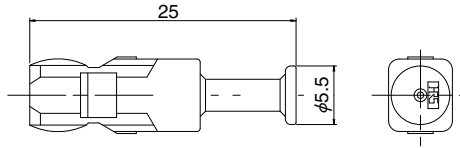


| Part Number | CL No. |
|-------------|---------------|
| HSC-C9 | 704-0588-7-00 |

- ※ Press fit to adapter inner.



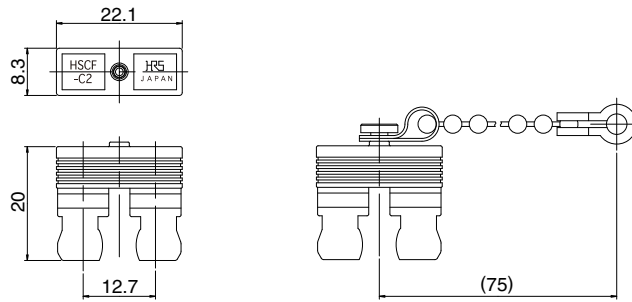
● Simplex plastic cap



| Part Number | CL No. |
|-------------|---------------|
| HSC2-C2 | 704-0487-0-00 |

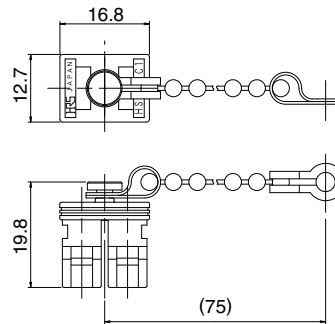
※ The cap is inserted in the lock part of the adapter.

● Duplex F-type plastic cap



| Part Number | CL No. | Remarks |
|-------------|---------------|---------------|
| HSCF-C2(40) | 704-2126-2-40 | without cahin |
| HSCF-C3(40) | 704-2135-3-40 | with cahin |

● Duplex H-type plastic cap



| Part Number | CL No. | Remarks |
|-------------|---------------|------------|
| HSCH-C1(40) | 704-2122-1-40 | with cahin |

Jul.1.2023 Copyright 2023 HIROSE ELECTRIC CO., LTD. All Rights Reserved.

SC

FC

MU

Harsh Environment

Attenuators

Terminators

POF / PCF

6. Tools

● HSC2 Insertion/Extraction Tool

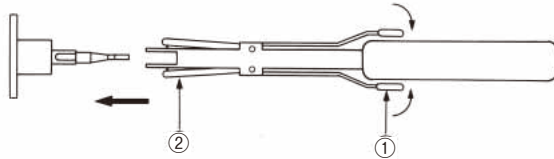


| Part Number | CL No. | Applicable Products |
|-------------|---------------|---------------------|
| HSC-T1-L | 704-0286-8-00 | HSC2 Series |

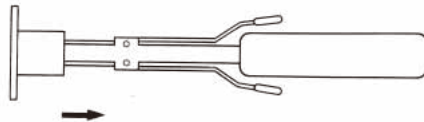
Note. Handle with care because slim tips breaks easily.

<How to operate>

1. Open the tip of tool by compressing levers as shown below.

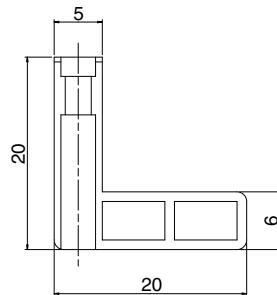
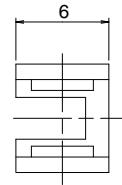
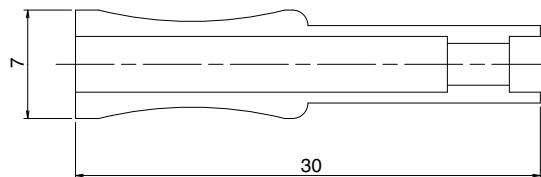
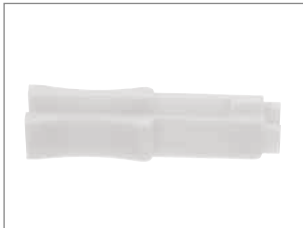


2. Insert the tool (with opening the tips) into adapter.



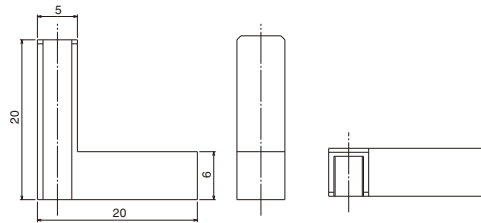
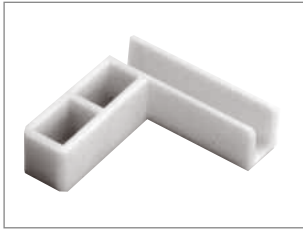
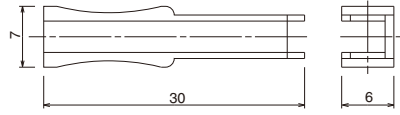
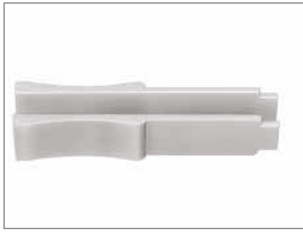
3. Release the levers (then the tool catch HSC2 plug) and you can release the connector.

● Extraction tool for Simplified plug (without boots)



| Part Number | CL No. | Shape |
|-------------|---------------|----------|
| HSC-T13 | 704-0449-0-00 | Straight |
| HSC-T8 | 704-0447-5-00 | L type |

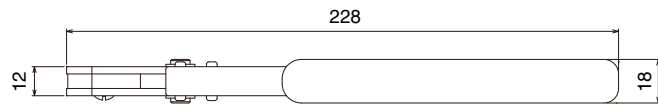
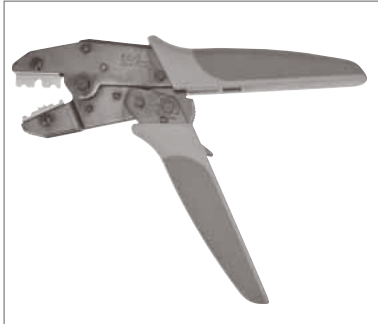
● Extraction tool for Simplified plug (with boots)



| Part Number | CL No. | Shape |
|-------------|---------------|----------|
| HSC-T10 | 704-0350-5-00 | Straight |
| HSC-T12 | 704-0448-8-00 | L type |

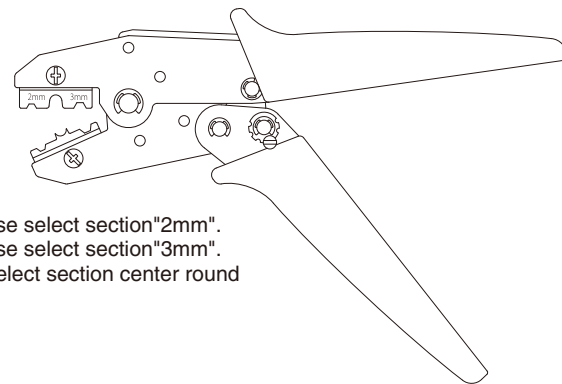
● Crimp Tool

This is used in crimping of Kevlar or jacket at time of the plug (for cable diameter 2mm & 3mm) termination.



| Part Number | CL No. |
|---------------|--------------|
| HT501/HSC-T20 | CL902-6064-2 |

- 2mm Jacket crimping: Please select section "2mm".
3mm Jacket crimping: Please select section "3mm".
- Kevlar™ crimping: Please select section center round groove.



● Plug assemble tool



| Part Number | CL No. |
|---------------|------------|
| HSC2-PH2/CVMD | 902-6029-1 |