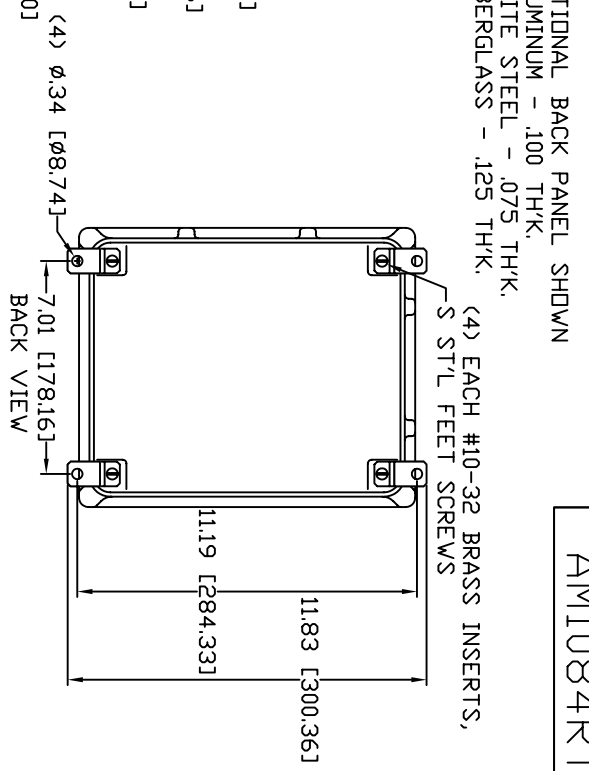
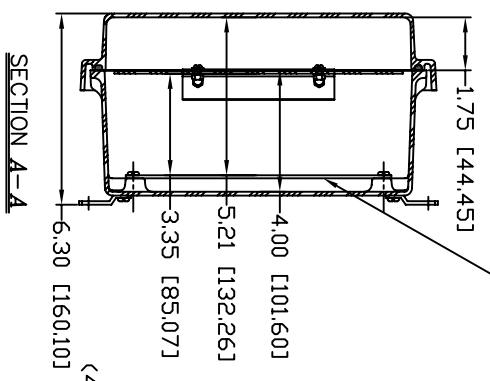
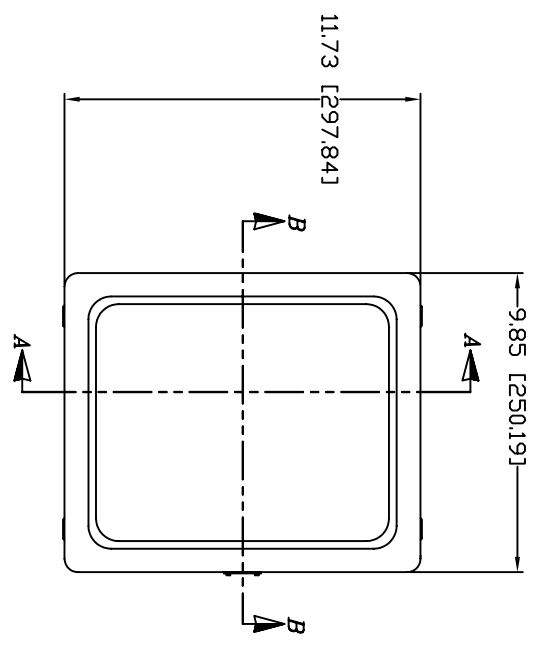
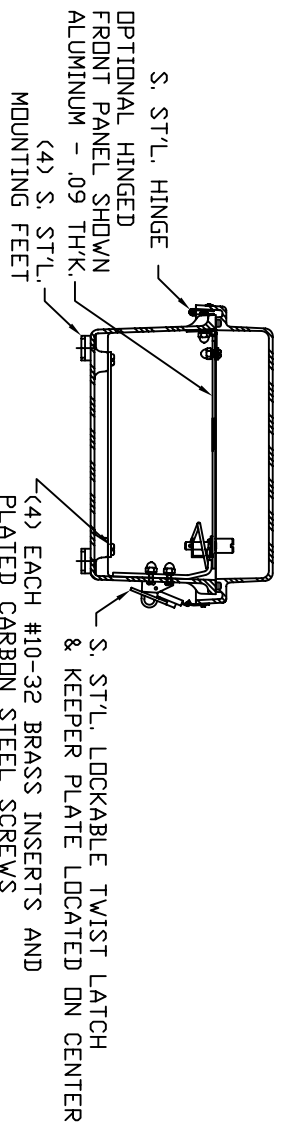


AM1084RT



OPTIONAL BACK PANEL SHOWN
 ALUMINUM - .100 THK.
 WHITE STEEL - .075 THK.
 FIBERGLASS - .125 THK.



SECTION B-B

FRONT VIEW WITH LID REMOVED

MATERIAL:
 BOX - COMPRESSION MOLDED FIBERGLASS REINFORCED POLYESTER
 COVER - COMPRESSION MOLDED FIBERGLASS REINFORCED POLYESTER
 WINDOWS - POLYCARBONATE

CONFIDENTIAL
 THESE MATERIALS ARE VIEWED BY THE ALLIED
 OVERSEAS DIVISION AND ARE NOT TO BE REPRODUCED
 OR DISTRIBUTED TO ANY OTHER PARTY WITHOUT THE
 APPROVAL OF THE ALLIED OVERSEAS DIVISION