

MATERIAL AND FINISHES:

AISG JACK CONNECTOR
SEE SD-73142-026

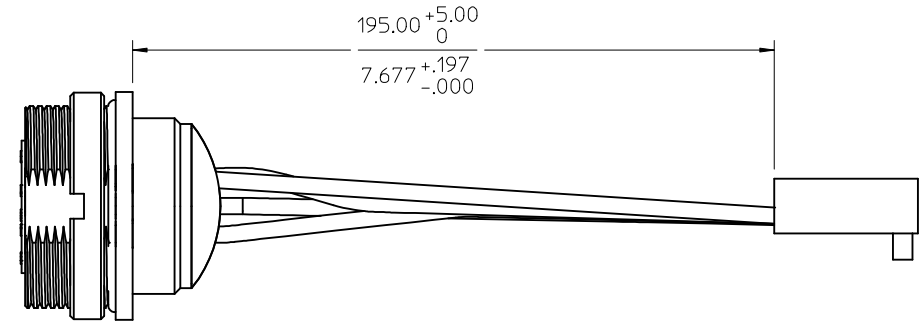
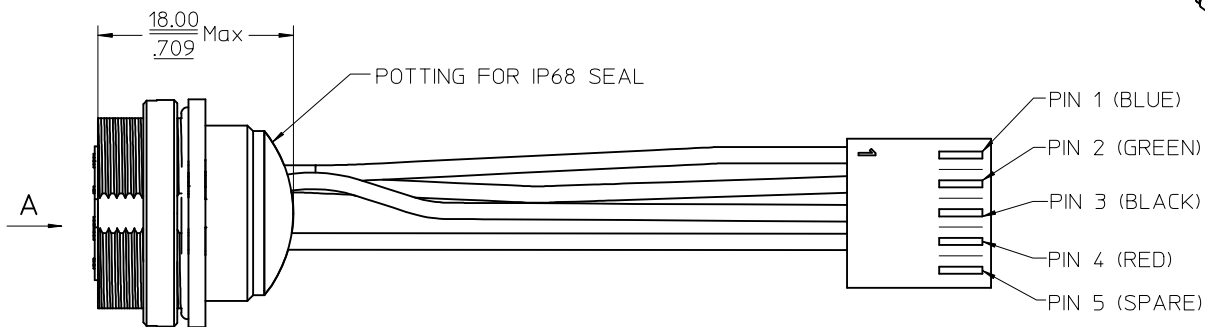
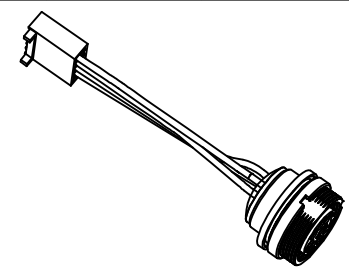
HOUSING: MOLEX 22-01-2055 "KK TYPE" CONNECTOR

WIRE: AWG22 (UL1213 PTFE HIGH TEMPERATURE)
CONDUCTOR 0.8mm (7x0.25mm TINNED COPPER STRANDS)
VOLTAGE RATING: 1000V AC
CURRENT RATING: 6A
INSULATION MATERIAL: 0.3mm PTFE

ELECTRICAL:

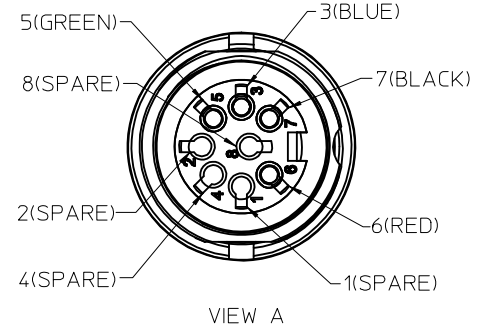
RATED VOLTAGE: 300V AC
WITHSTAND VOLTAGE: 1000V DC
INSULATION RESISTANCE: 100M ohm (MIN)
CURRENT RATING: 3A/40°C
CONTACT RESISTANCE: 5m ohm (MAX)
TEST VOLTAGE: 670V AC

WATER-PROOF: IP 68 WHEN MATED



AISG PIN TO HOUSING PIN

AISG PIN	WIRE COLOR	HOUSING
PIN 3	BLUE	PIN 1
PIN 5	GREEN	PIN 2
PIN 7	BLACK	PIN 3
PIN 6	RED	PIN 4



VIEW A

PART # 73135-5900

CHG: Blue wire going to pin outs 3 to 1, red wire going to pin outs 6 to 4, PER PDR J1511795 EC NO: URF2017-0011 DRWN: MXU11 2016/07/06 CHKD: YHAUNG11 2016/07/06 APPR: MYE08 2016/07/14	QUALITY SYMBOLS	GENERAL TOLERANCES (UNLESS SPECIFIED)	DIMENSION STYLE	SCALE	DESIGN UNITS	THIRD ANGLE PROJECTION																			
	$\nabla = 0$ $\nabla = 0$ $\nabla = 0$	<table border="1"> <tr> <th></th> <th>mm</th> <th>INCH</th> </tr> <tr> <td>4 PLACES</td> <td>\pm ---</td> <td>\pm ---</td> </tr> <tr> <td>3 PLACES</td> <td>\pm ---</td> <td>\pm ---</td> </tr> <tr> <td>2 PLACES</td> <td>\pm ---</td> <td>\pm ---</td> </tr> <tr> <td>1 PLACE</td> <td>\pm ---</td> <td>\pm ---</td> </tr> <tr> <td>0 PLACE</td> <td>\pm ---</td> <td>\pm ---</td> </tr> </table>		mm	INCH	4 PLACES	\pm ---	\pm ---	3 PLACES	\pm ---	\pm ---	2 PLACES	\pm ---	\pm ---	1 PLACE	\pm ---	\pm ---	0 PLACE	\pm ---	\pm ---	MM/IN	METRIC	DRAWN BY: MXU11 DATE: 2016/01/21 CHECKED BY: YHUANG11 DATE: 2016/03/03 APPROVED BY: MYE08 DATE: 2016/03/07	TITLE	CA, AISG JACK TO KK 22AWG
		mm	INCH																						
	4 PLACES	\pm ---	\pm ---																						
3 PLACES	\pm ---	\pm ---																							
2 PLACES	\pm ---	\pm ---																							
1 PLACE	\pm ---	\pm ---																							
0 PLACE	\pm ---	\pm ---																							
A1	ANGULAR $\pm 2^\circ$	MATERIAL NO.	731355900	DOCUMENT NO.	SD-73135-590	SHEET NO.	1 OF 1																		
	DRAFT WHERE APPLICABLE MUST REMAIN WITHIN DIMENSIONS	SIZE	C	THIS DRAWING CONTAINS INFORMATION THAT IS PROPRIETARY TO MOLEX INCORPORATED AND SHOULD NOT BE USED WITHOUT WRITTEN PERMISSION																					