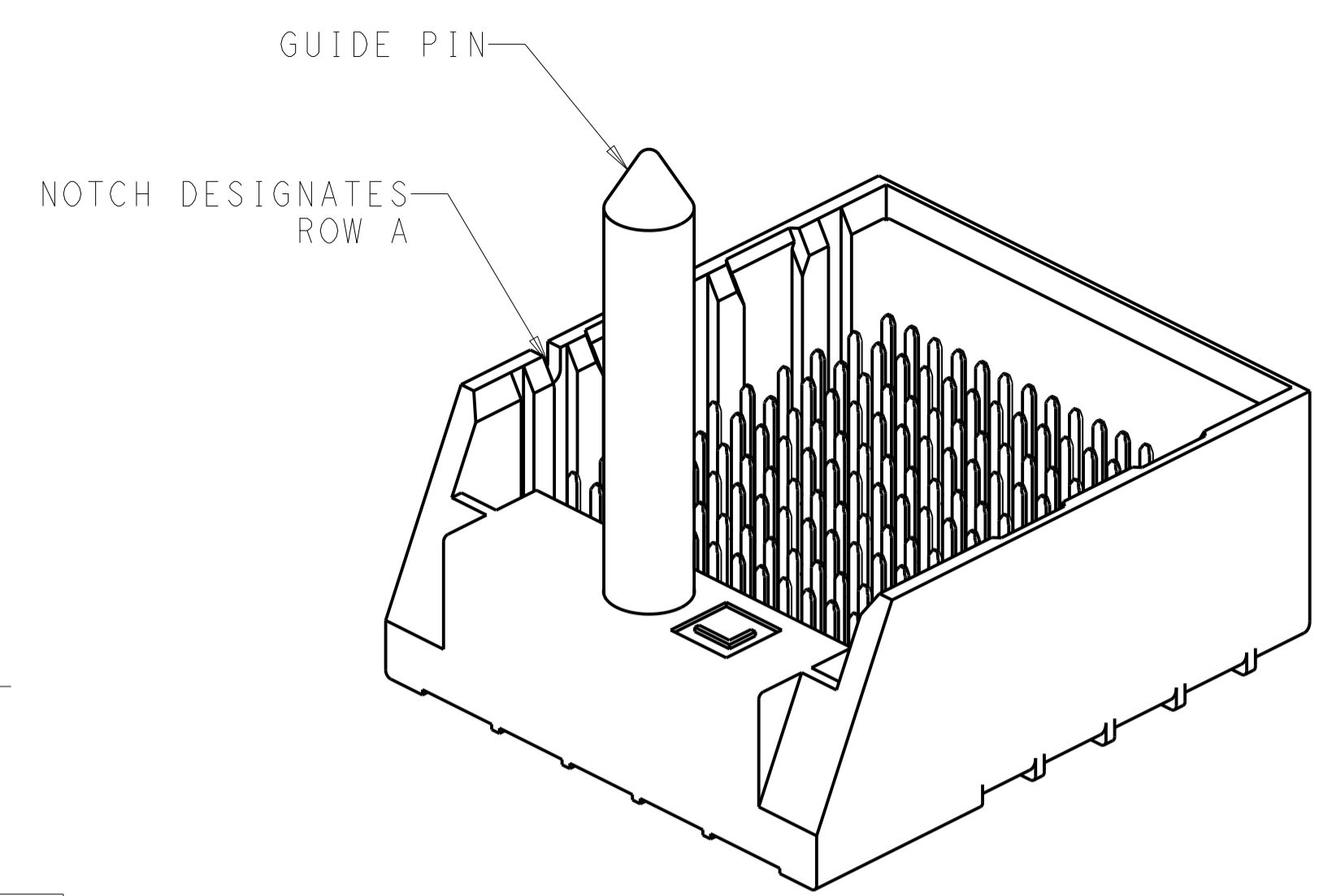
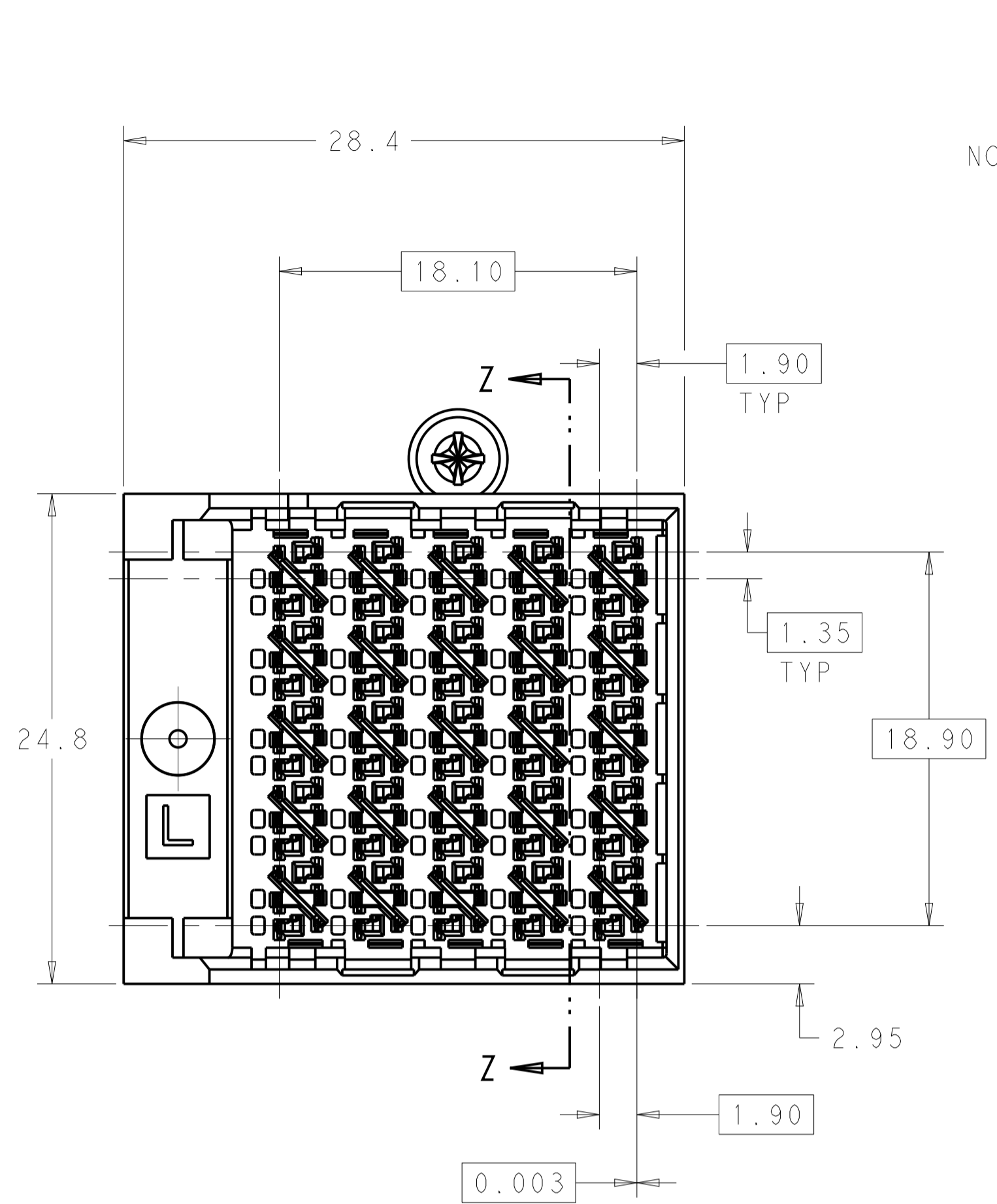
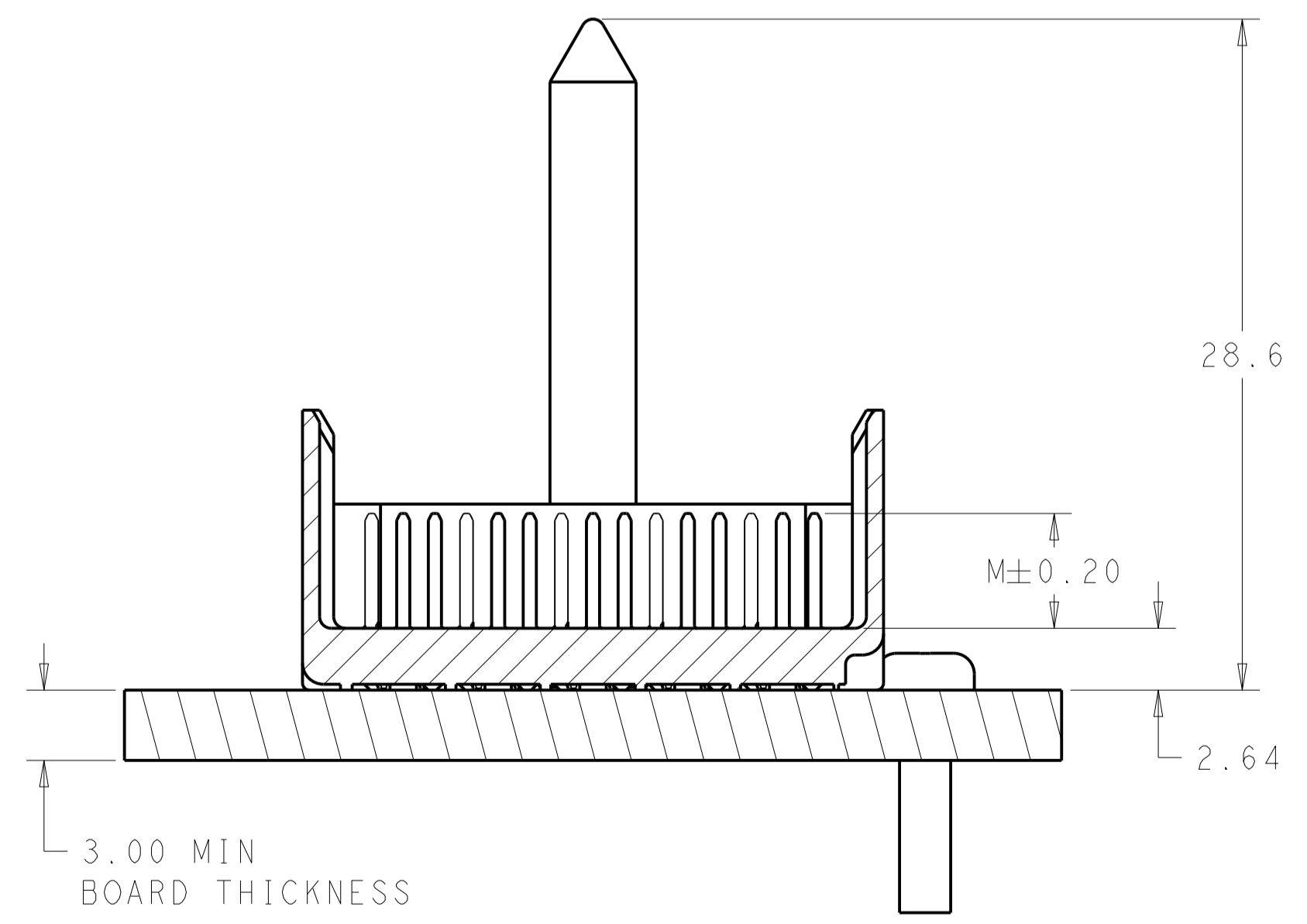
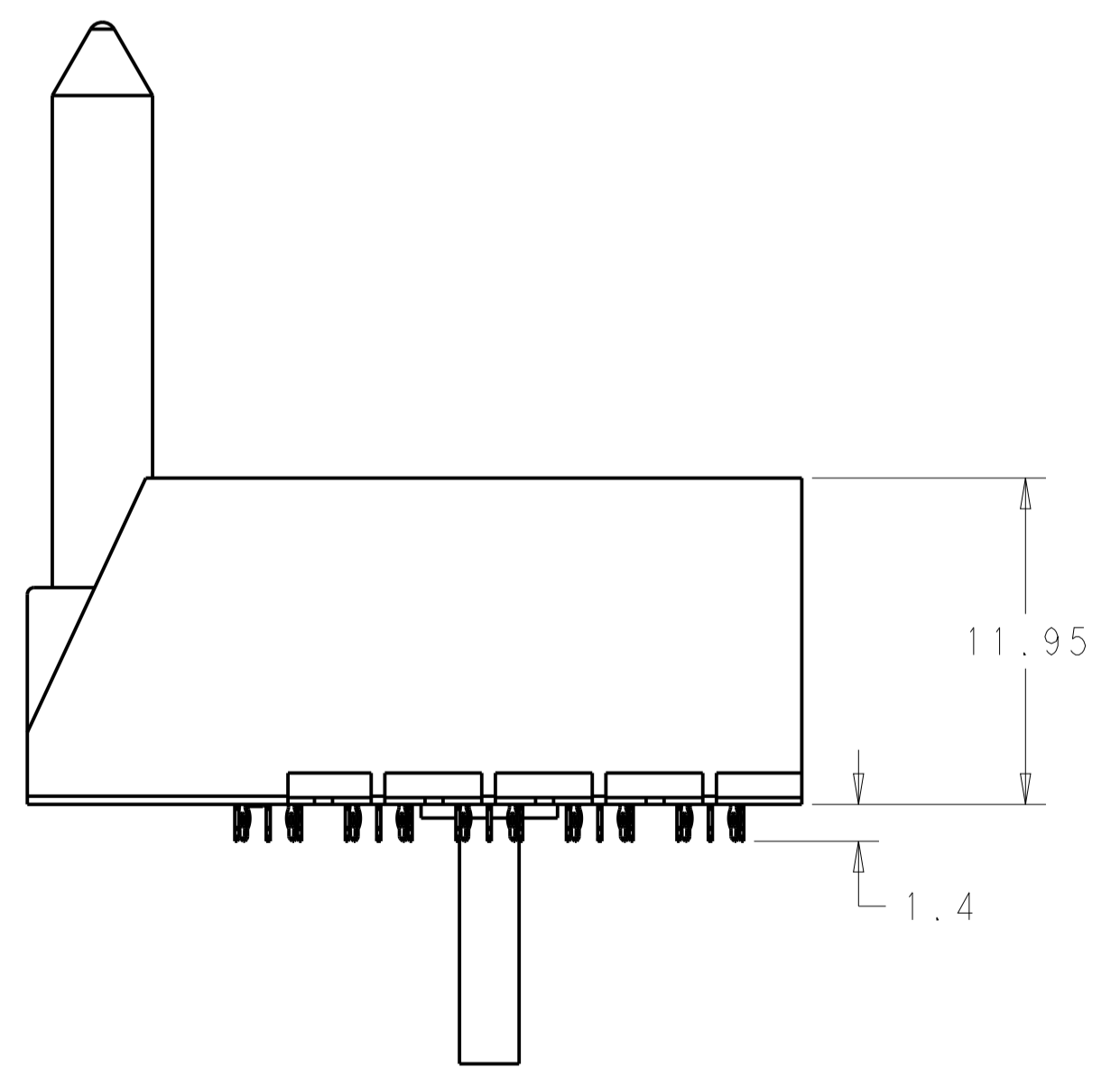
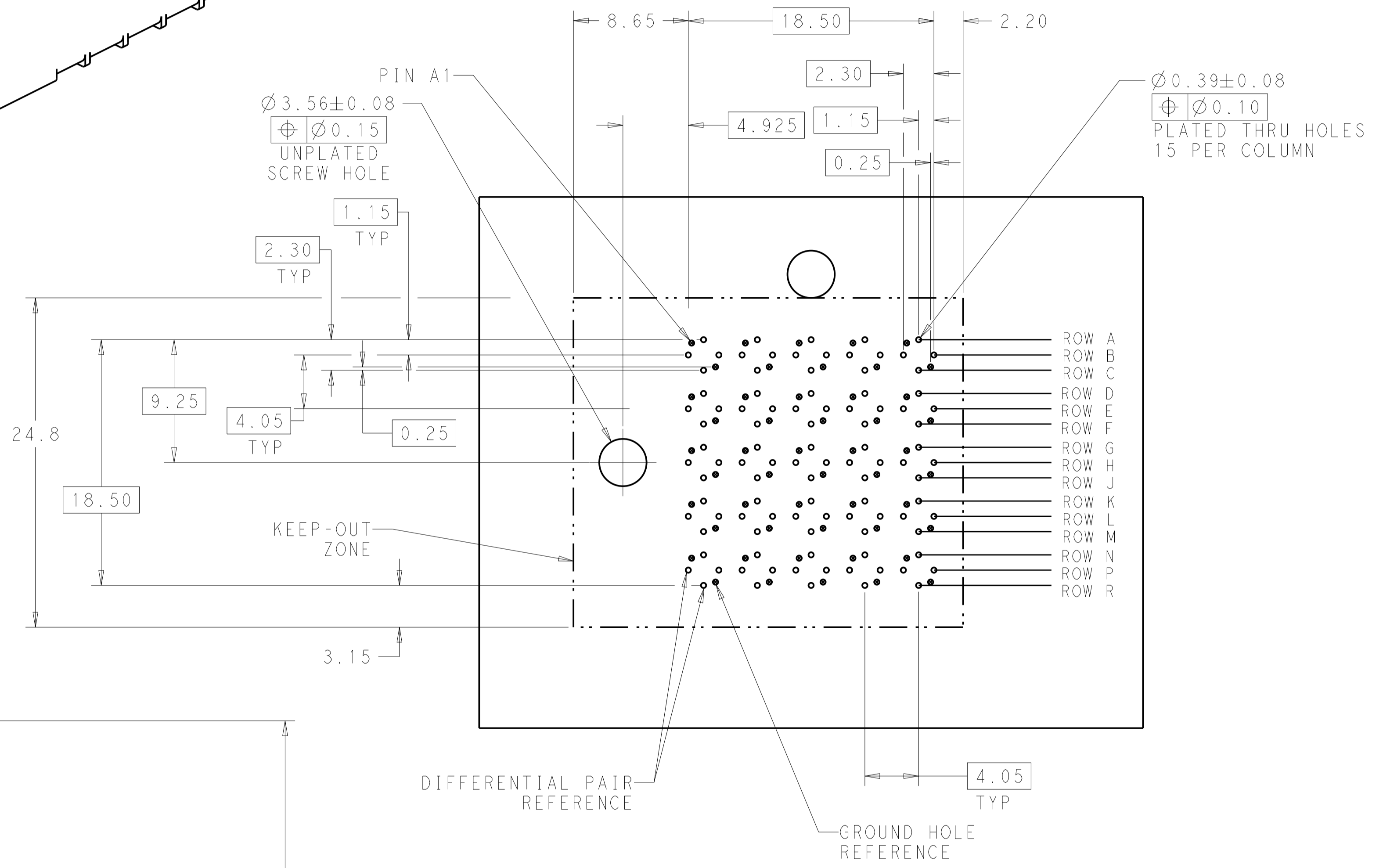


REVISIONS				
P.	LTN.	DESCRIPTION	DATE	APVD.
B		REVISED PER ECO-14-013272	08SEP2014	AP DD



1 MATERIAL:  
HOUSING: LCP GLASS FILLED UL94V-0  
TERMINALS: HIGH PERFORMANCE COPPER ALLOY

2 FINISH:  
30µ" MIN GOLD IN CONTACT AREA  
SELECTIVE TIN ON PCB TAILS.  
NICKEL OVERALL.



SECTION Z-Z

LEFT GUIDED  
BACKPLANE HOLE PATTERN  
(CONNECTOR SIDE)  
SCALE 4:1

2	5.5	2143558-2
2	4.9	2143558-1
FINISH	DIM M	PART NUMBER

THIS DRAWING IS A CONTROLLED DOCUMENT.		DWN: J. K. SHOBER 29OCT2010	TE Connectivity
DIMENSIONS: mm		CHK: J. EARY 29OCT2010	
TOLERANCES UNLESS OTHERWISE SPECIFIED:		APVD: J. EARY 29OCT2010	NAME: IMPACT, 5 PAIR, 10 COLUMN, LEFT GUIDED RIGHT END WALL ASSEMBLY, ORTHOGONAL, 0.39 PTH SIZE: CAGE CODE DRAWING NO: A100779 C=2143558 RESTRICTED TO:
0 PLC ± 1 PLC ±0.25 2 PLC ±0.13 3 PLC ± 4 PLC ± ANGLES ±0		PRODUCT SPEC: APPLICATION SPEC: WEIGHT: CUSTOMER DRAWING	
MATERIAL: SEE TABLE		SCALE: 4:1	SHEET 1 OF 1 REV B