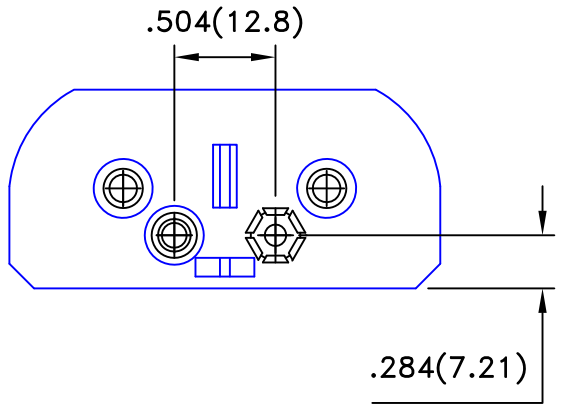
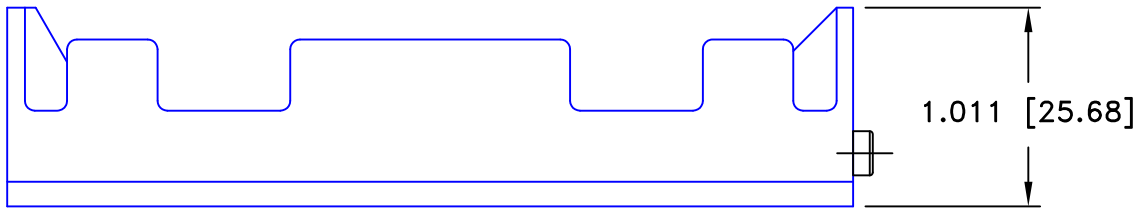
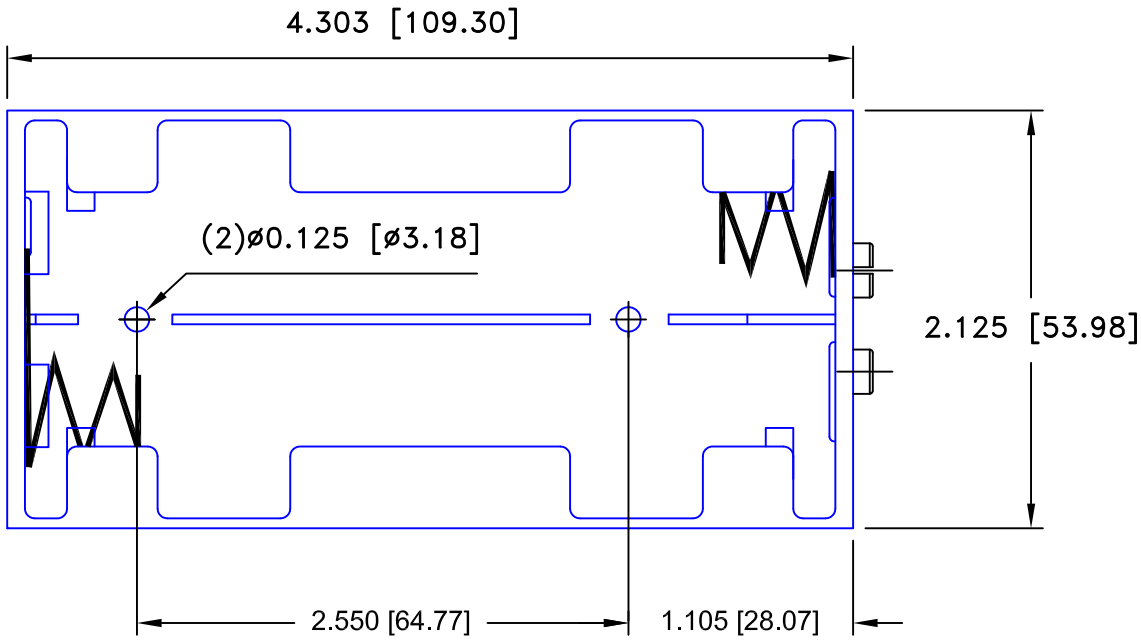



Date	SYM	REVISION RECORD	AUTH	DR.	CK.
4/22/06	A	Added "ROHS COMPLIANT"	T.B.	B.S.	
3/07/08	B	DIM. 2.550 WAS 2.567 DIM. 1.105 WAS 1.075.	T.B.	B.S.	
8/28/14	C	UPDATED TO ROHS 2 COMPLIANT	T.B.	B.S.	
5/19/17	D	UPDATED SPECIFICATION	T.B.	B.S.	



SPECIFICATION:

1. MATERIAL:

HOUSING : BLACK POLYPROPYLENE, PP-1040
 FLAMMABILITY RATING -UL94-HB, UL FILE NO. E216959
 TEMPERATURE RANGE: -10°C to +100°C
 RIVETS: BRASS, NICKEL PLATED.
 SPRING: SPRING STEEL, NICKEL PLATED.
 9VOLT SNAPS: BRASS, NICKEL PLATED
 CONTACT RESISTANCE: UNDER 50mΩ FOR +/- CONTACTS PER EIA-540J000
 ROHS 2 COMPLIANT

Tolerance (Except as noted)	 Memory Protection Devices, Inc 200 Broad Hollow Road, Farmingdale, New York 11735	Scale 1=1	Drawn By T.S.
			Approved By T.B.
decimal ±.5 (.020)	Title FOUR "C" CELL HOLDER WITH SNAP FASTENERS		
Fractional ± .8 (.030)		Date 5/19/17	Drawing Number BH24CSF
Angular ± 3°			