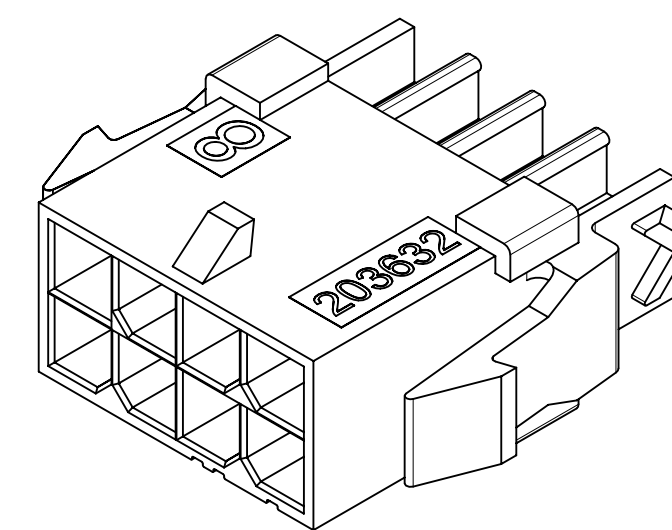
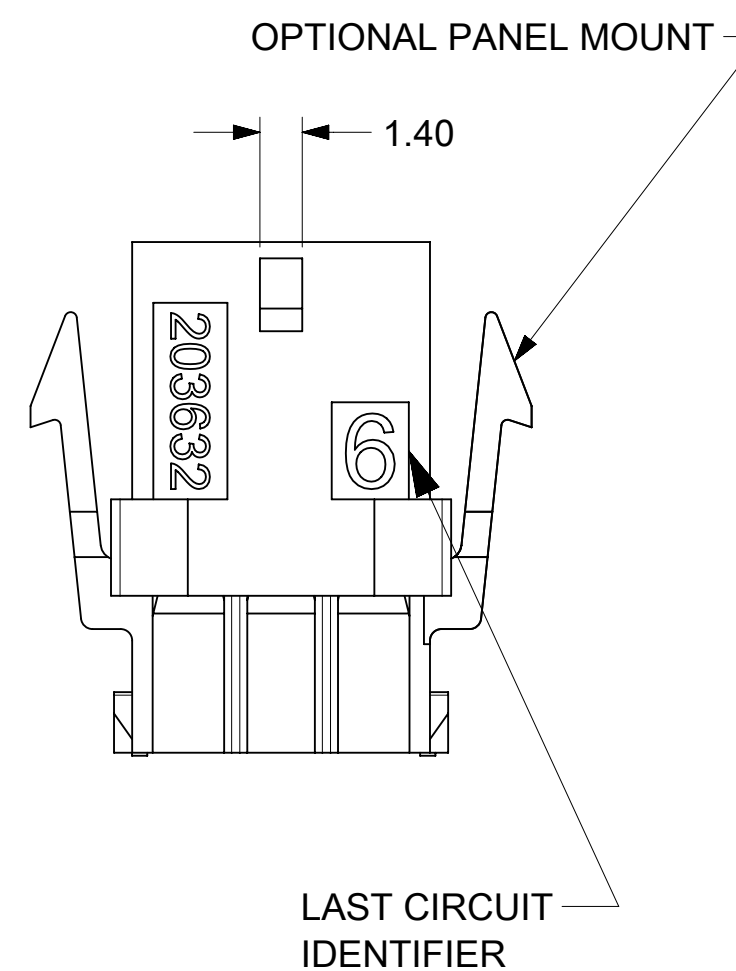
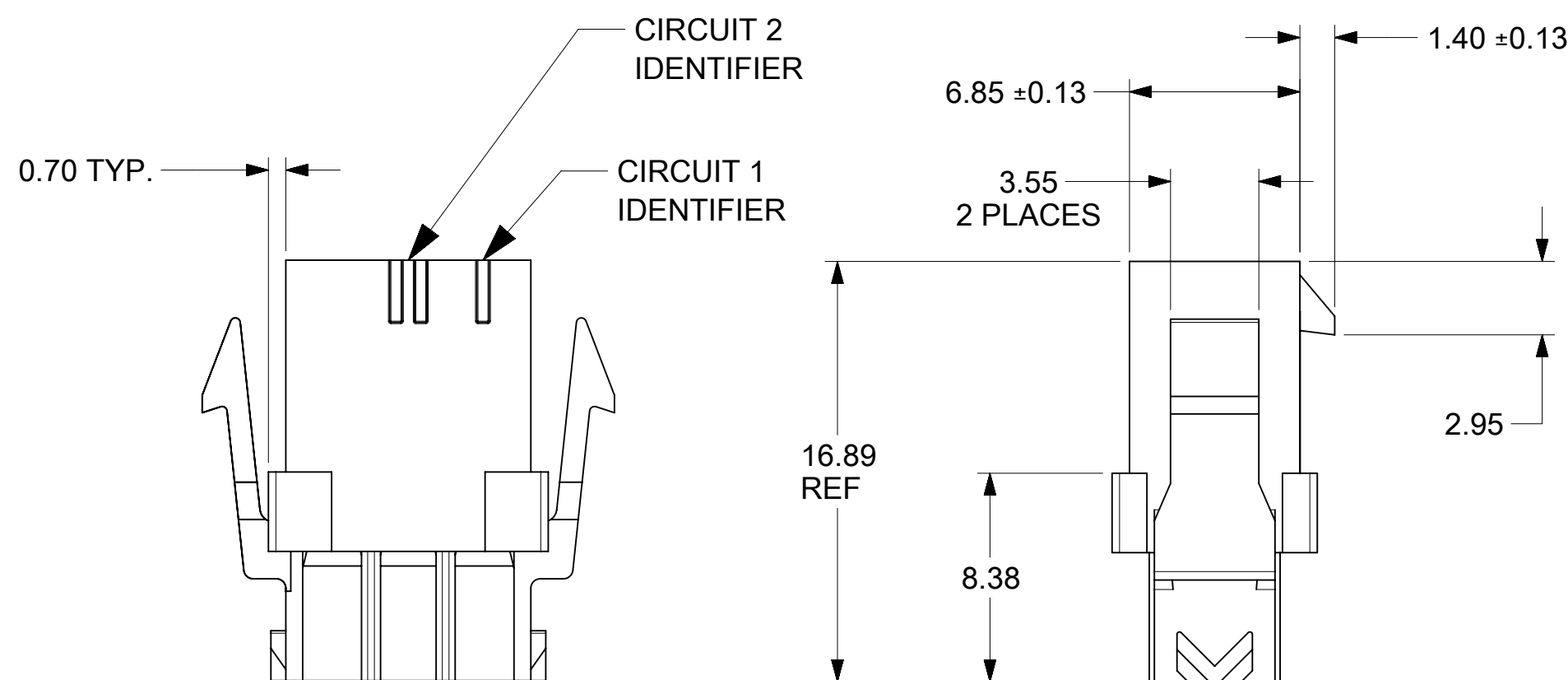


RECOMMENDED PANEL CUTOUT

SEE NOTES 7 AND 9



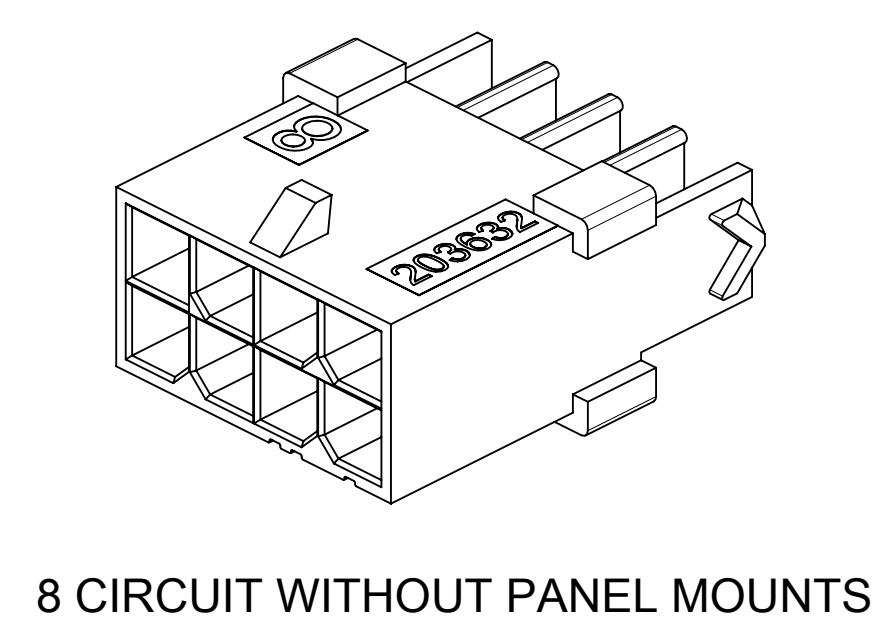
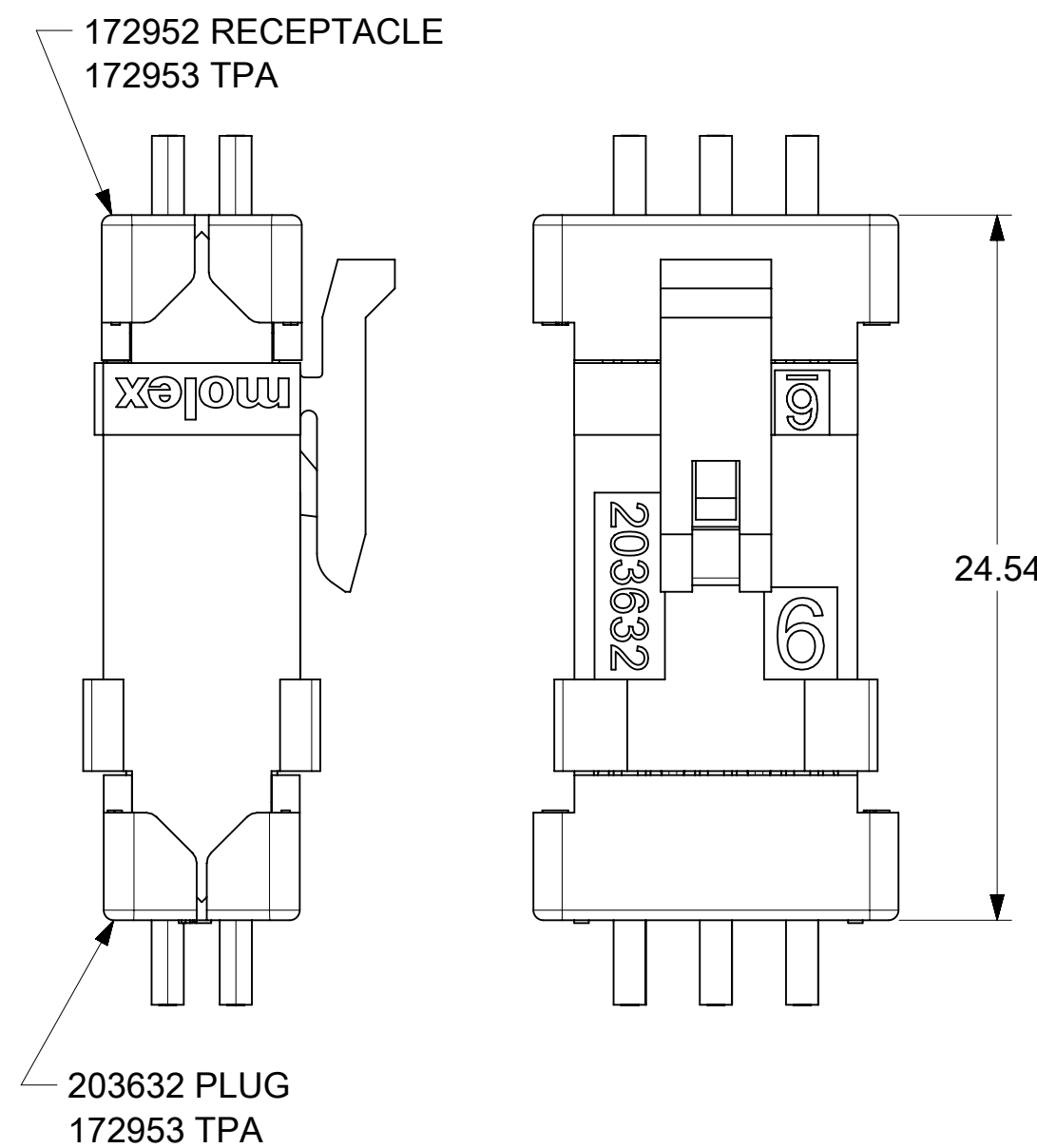
8 CIRCUIT WITH PANEL MOUNTS

NOTES:

- 1) HOUSING MATERIAL:  
UNFILLED NYLON, RATED UL94V-2, IEC60335-1 GLOW WIRE CAPABLE, COLOR-BLACK
- 2) FINISH: N/A
- 3) PRODUCT SPECIFICATION: PS-43045
- 4) PACKAGING SPECIFICATION: 2036320000-PK
- 5) THIS HOUSING MATES WITH MICRO-FIT 172952 TPA RECEPTACLE OR 43025 STANDARD RECEPTACLE.
- 6) THIS HOUSING TO BE USED WITH MOLEX MALE TERMINAL 43031-5\*\*\*
- 7) DESIGNED FOR 1.40 MINIMUM TO A 2.54 MAXIMUM THICK PANEL OR PRINTED CIRCUIT BOARD.
- 8) SEE SECTION "F"- "F" FOR TERMINAL ORIENTATION IN HOUSING.  
TERMINALS IN LOWER ROW ARE INSERTED 180° FROM THE UPPER ROW.
- 9) PANEL MOUNT FEATURES MUST LOCK ON SIDE OPPOSITE PUNCH SIDE FOR OPTIMUM RETENTION.
- 10) PART CONFORMS TO CLASS 'B' REQUIREMENTS OF COSMETIC SPECIFICATION PS-45499-002, WITH THE EXCEPTION THAT FLASH, DISCOLORATION, AND SINK MEET CLASS 'C' REQUIREMENTS.
- 11) HOUSING MAY HAVE DISCOLORATION AREAS THAT DO NOT AFFECT FUNCTIONALITY. DISCOLORATION AREAS MAY EXTEND ACROSS THE ENTIRE LENGTH OF THE FACES OF THE PART.
- 12) TEXT ON PART IS FOR REFERENCE ONLY. TEXT AND TEXT LOCATION MAY VARY DEPENDING ON PART NUMBER AND/OR TOOLING.
- 13) HOUSING DESIGNED FOR USE WITH 172953-xx02 TPA. NEVER USE WITHOUT TPA.
- 14) INTENDED FOR USE WITH 20-30 AWG WIRES ONLY

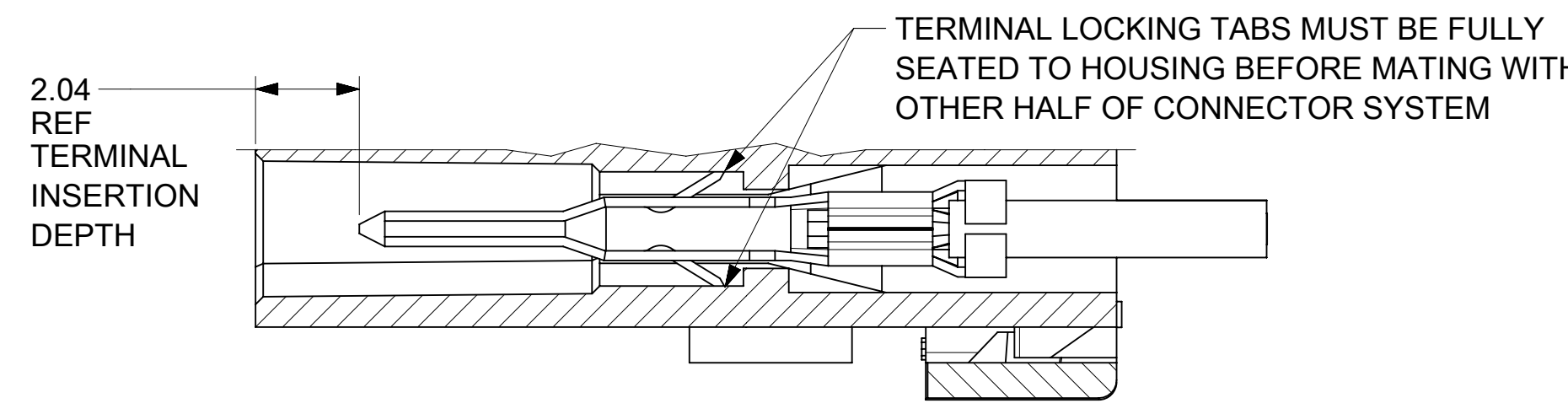
|  |   |                        |                               |               |                |          |
|--|---|------------------------|-------------------------------|---------------|----------------|----------|
| FUNCTIONAL SYMBOLS<br>FA = 0<br>FE = 0<br>FP = 0     | THIS DRAWING CONTAINS INFORMATION THAT IS PROPRIETARY TO MOLEX ELECTRONIC TECHNOLOGIES, LLC AND SHOULD NOT BE USED WITHOUT WRITTEN PERMISSION |                        | CURRENT REV DESC: ADD NOTE 14 |               |                |          |
|  | DIMENSION UNITS   | SCALE                  | EC NO: 723726                 |               |                |          |
|  | mm  | 4:1                    | DRWN: MKIPPER                 | 2022/02/25    |                |          |
|  | GENERAL TOLERANCES (UNLESS SPECIFIED)   |                        | CHK'D: MKIPPER                | 2022/10/12    |                |          |
| ANGULAR TOL ± 0.5°                                   |   | APPR: FSMITH           | 2022/10/13                    |               |                |          |
| 4 PLACES ±   |   | INITIAL REVISION:      |                               |               |                |          |
| 3 PLACES ±   |   | DRWN: MKIPPER          | 2017/06/09                    |               |                |          |
| 2 PLACES ± 0.25                                      |   | APPR: FSMITH           | 2017/07/20                    |               |                |          |
| 1 PLACE ± 0.35                                       |   | THIRD ANGLE PROJECTION |                               |               |                |          |
| 0 PLACES ±   |   | DRAWING                | SERIES                        |               |                |          |
| DRAFT WHERE APPLICABLE MUST REMAIN WITHIN DIMENSIONS |   | C-SIZE                 | 203632                        |               |                |          |
| DOCUMENT STATUS                                      | P1  | RELEASE DATE           | 2022/10/13 13:32:56           | DOC TYPE      | DOC PART       | REVISION |
| 203632   | 11  | 10                     | 9                             | 2036320010-SD | PSD            | 000 A4   |
| 12   | 11  | 10                     | 9                             | SEE CHART     | GENERAL MARKET | 1 OF 2   |

| PART NUMBER | PART CHARACTERISTICS |             |       |       |       |       |
|-------------|----------------------|-------------|-------|-------|-------|-------|
|             | NUMBER OF POSITION   | PANEL MOUNT | DIM A | DIM B | DIM C | DIM D |
| 2036320410  | 4                    | YES         | 6.85  | 3.00  | 7.21  | 10.89 |
| 2036320411  |                      | NO          |       |       |       |       |
| 2036320610  | 6                    | YES         | 9.85  | 6.00  | 10.21 | 13.89 |
| 2036320611  |                      | NO          |       |       |       |       |
| 2036320810  | 8                    | YES         | 12.85 | 9.00  | 13.21 | 16.89 |
| 2036320811  |                      | NO          |       |       |       |       |
| 2036321010  | 10                   | YES         | 15.85 | 12.00 | 16.21 | 19.89 |
| 2036321011  |                      | NO          |       |       |       |       |
| 2036321210  | 12                   | YES         | 18.85 | 15.00 | 19.21 | 22.89 |
| 2036321211  |                      | NO          |       |       |       |       |
| 2036321410  | 14                   | YES         | 21.85 | 18.00 | 22.21 | 25.89 |
| 2036321411  |                      | NO          |       |       |       |       |
| 2036321610  | 16                   | YES         | 24.85 | 21.00 | 25.21 | 28.89 |
| 2036321611  |                      | NO          |       |       |       |       |
| 2036321810  | 18                   | YES         | 27.85 | 24.00 | 28.21 | 31.89 |
| 2036321811  |                      | NO          |       |       |       |       |
| 2036322010  | 20                   | YES         | 30.85 | 27.00 | 31.21 | 34.89 |
| 2036322011  |                      | NO          |       |       |       |       |
| 2036322210  | 22                   | YES         | 33.85 | 30.00 | 34.21 | 37.89 |
| 2036322211  |                      | NO          |       |       |       |       |
| 2036322410  | 24                   | YES         | 36.85 | 33.00 | 37.21 | 40.89 |
| 2036322411  |                      | NO          |       |       |       |       |

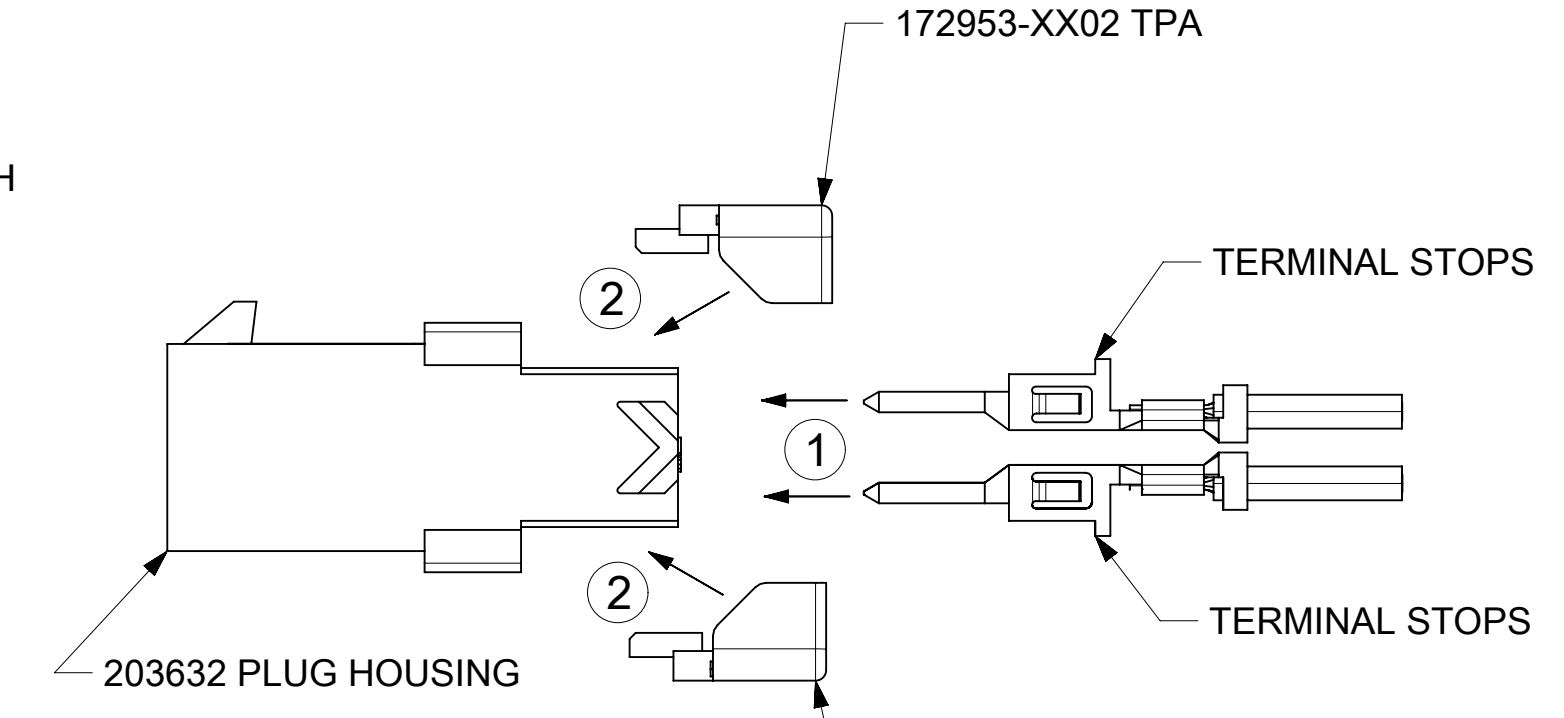


MATED MICRO-FIT CONNECTOR  
(WITH TPA INSTALLED)

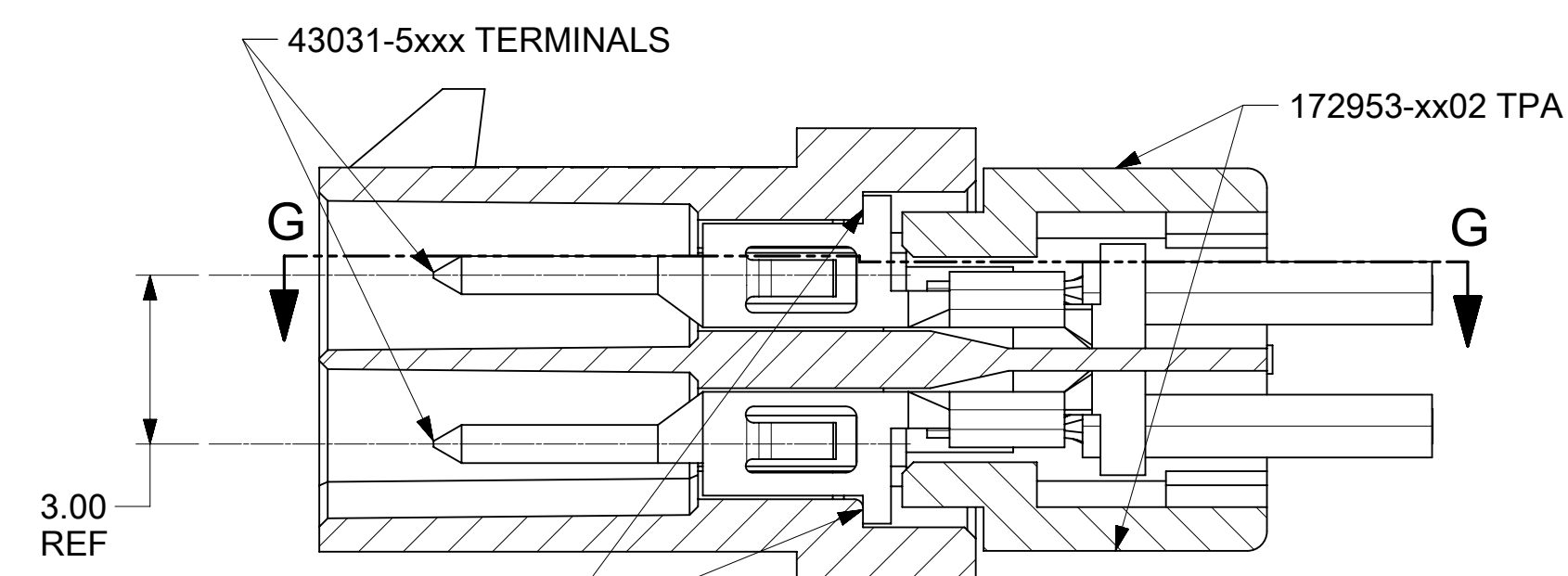
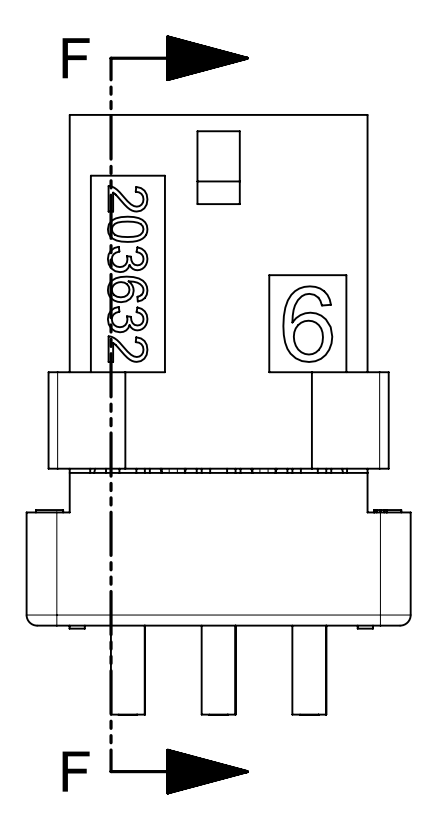
8 CIRCUIT WITHOUT PANEL MOUNTS



SECTION G-G  
SCALE 8:1



TERMINAL AND TPA  
ORIENTATION AND ASSEMBLY



SECTION F-F  
SCALE 8:1  
(WITH TERMINALS AND TPA's)

NEVER USE WITHOUT TPA

|                    |   |                        |                               |                |
|--------------------|---|------------------------|-------------------------------|----------------|
| FUNCTIONAL SYMBOLS | THIS DRAWING CONTAINS INFORMATION THAT IS PROPRIETARY TO MOLEX ELECTRONIC TECHNOLOGIES, LLC AND SHOULD NOT BE USED WITHOUT WRITTEN PERMISSION |                        | CURRENT REV DESC: ADD NOTE 14 |                |
| $F_A = 0$          | DIMENSION UNITS   | SCALE                  |                               |                |
| $F_C = 0$          | mm  | 4:1                    |                               |                |
| $F_P = 0$          | GENERAL TOLERANCES (UNLESS SPECIFIED)   |                        |                               |                |
|                    | ANGULAR TOL $\pm 0.5^\circ$   |                        |                               |                |
| DIVISIONAL SYMBOLS | 4 PLACES $\pm$  | EC NO: 723726          | 2022/02/25                    |                |
|                    | 3 PLACES $\pm$  | DRWN: MKIPPER          | 2022/10/12                    |                |
|                    | 2 PLACES $\pm 0.25$   | CHK'D: MKIPPER         | 2022/10/13                    |                |
|                    | 1 PLACE $\pm 0.35$  | APPR: FSMITH           |                               |                |
|                    | 0 PLACES $\pm$  | INITIAL REVISION:      |                               |                |
|                    |   | DRWN: MKIPPER          | 2017/06/09                    |                |
|                    |   | APPR: FSMITH           | 2017/07/20                    |                |
|                    | DRAFT WHERE APPLICABLE MUST REMAIN WITHIN DIMENSIONS  | THIRD ANGLE PROJECTION | DRAWING                       | SERIES         |
|                    |   |                        | C-SIZE                        | 203632         |
|                    |   |                        | MATERIAL NUMBER               | CUSTOMER       |
|                    |   |                        | 2036320010-SD                 | GENERAL MARKET |
|                    |   |                        | DOC TYPE                      | DOC PART       |
|                    |   |                        | PSD                           | 000            |
|                    |   |                        | REVISION                      | A4             |
|                    |   |                        | SHEET NUMBER                  | 2 OF 2         |