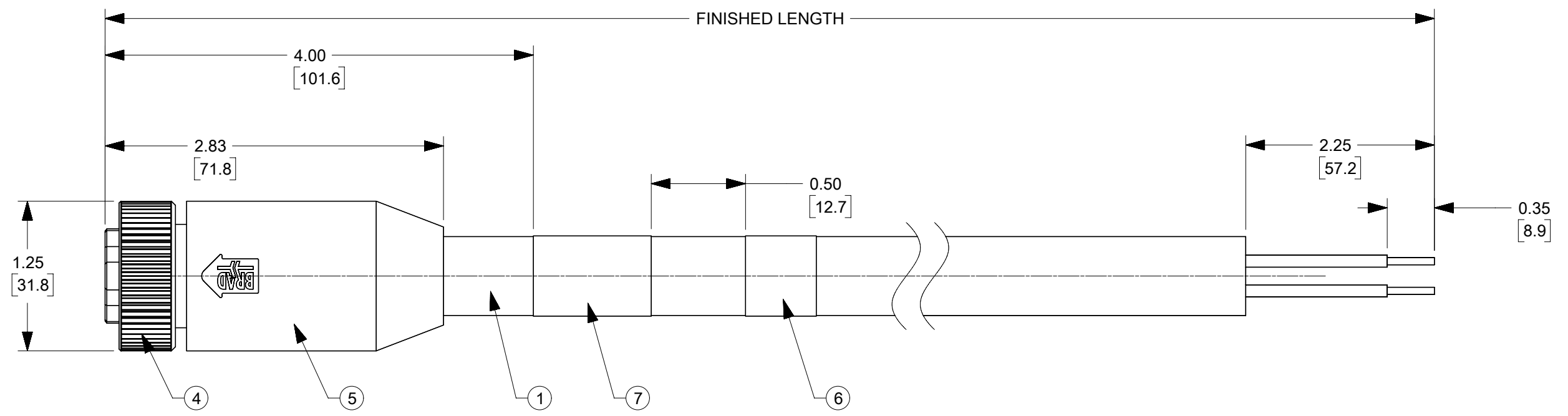


FEMALE FACE VIEW



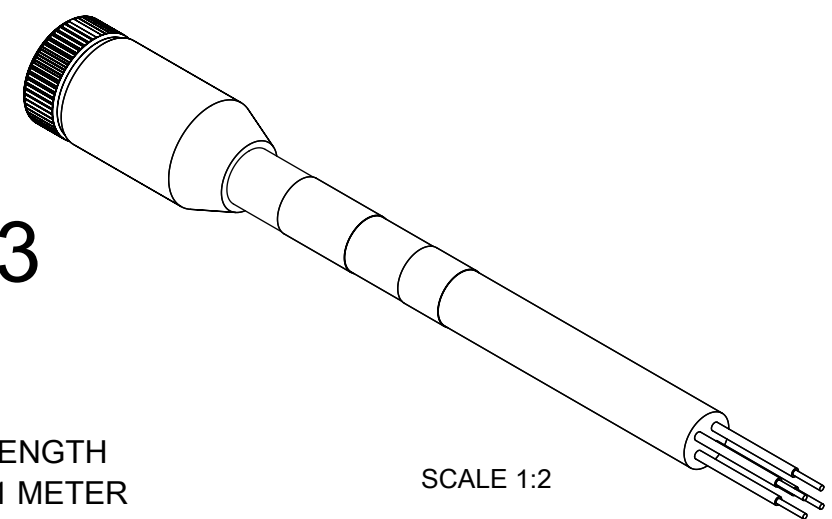
WIRING DIAGRAM

1	BLACK#1
2	BLACK#2
3	BLACK#3
4	GREEN/YELLOW

PART NUMBER MATRIX

**304T00K09M500A3**

FINISH LENGTH  
M001 = .1 METER  
M010 = 1 METER  
M500 = 50 METER



SCALE 1:2

- NOTE:
- 1) MATERIAL: SEE TABLE
  - 2) FINISHES: SEE TABLE
  - 3) ELECTRICAL DATA  
MAX. VOLTAGE: IEC60664 500V  
UL2237 600V  
MAX. CURRENT: 25A
  - 4) ENVIRONMENTAL  
PROTECTION: IP67 WHEN FULLY MATED  
TEMPERATURE RATING: -20C TO 90C
  - 5) COUPLING THREAD: 1 1/8-16 UN-2B
  - 6) ALL DIMS ARE FOR REFERENCE UNLESS TOLERANCED OR NOTED OTHERWISE

PART NO.	ENGINEERING NO.	FINISHED LENGTH
1300611105	304T00K09M160A3	16M
1300611106	304T00K09M250A3	25M
1300611107	304T00K09M310A3	31M

ITEM	DESCRIPTION	MATERIAL	FINISH
7	WARNING LABEL	VINYL	ORANGE/BLACK
6	WRAP LABEL	VINYL	YELLOW/BLACK
5	OVER MOLD	TPE	GRAY
4	FEMALE COUPLING NUT	BRASS	NICKEL PLATED
3	4P FEMALE INSERT	TPE	BLACK
2	SOCKET CONTACT	BRASS	GOLD PLATED
1	12/4C AWG SHIELDED	TPE JACKET, XLPE INSUL	YELLOW

CABLE LENGTH TOLERANCES  
>.3M [1FT]: +19mm-0 [ +.75in-0]  
.3 - .9M [1 - 3FT]: +44.5mm-0 [+1.75in-0]  
.9 - 1.8M [3 - 6FT]: +55.6mm-0 [+2.19in-0]  
1.8 - 3.7M [6 - 12FT]: +88.9mm-0 [+3.50in-0]  
3.7 - 7.3M [12 - 24FT]: +165.1mm-0 [+6.50in-0]  
7.3-14.6M [24 - 48FT]: +317.5mm-0 [+12.50in-0]  
14.6 - 30.5M [48-100FT]: +622.3mm-0 [+24.50in-0]  
OVER 30M [100FT] +2% OF FINISHED LENGTH

SYMBOLS		THIS DRAWING CONTAINS INFORMATION THAT IS PROPRIETARY TO MOLEX ELECTRONIC TECHNOLOGIES, LLC AND SHOULD NOT BE USED WITHOUT WRITTEN PERMISSION	
▽ = 0	DIMENSION UNITS	SCALE	CURRENT REV DESC: UPDATE MATERIAL
▽ = 0	HYBRID	1:1	
▽ = 0	GENERAL TOLERANCES (UNLESS SPECIFIED)		<b>molex</b> MC 4P FP TRI KEY 12/4C AWG TPE PRODUCT CUSTOMER DRAWING
▽ = 0	ANGULAR TOL	± °	
▽ = 0	4 PLACES	±	
▽ = 0	3 PLACES	±	
▽ = 0	2 PLACES	±	EC NO: 615704 DRWN: CCHRSTKA 2019/04/16 CHK'D: MZIELINSKI 2019/04/19 APPR: BWOODMAN 2019/04/25
▽ = 0	1 PLACE	±	INITIAL REVISION: DRWN: CCHRSTKA 2019/04/10 APPR: BWOODMAN 2019/04/11
▽ = 0	0 PLACES	±	DOCUMENT NUMBER: 1300611105 DOC TYPE: PSD DOC PART: 000 REVISION: B1
▽ = 0	DRAFT WHERE APPLICABLE MUST REMAIN WITHIN DIMENSIONS	THIRD ANGLE PROJECTION	MATERIAL NUMBER: 130061 CUSTOMER: B-SIZE SHEET NUMBER: 1 OF 1