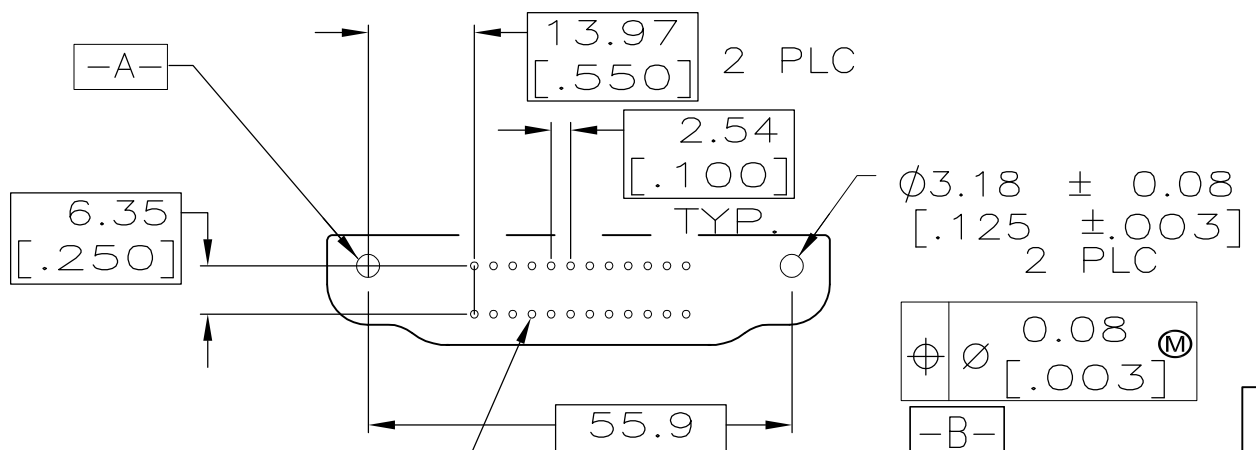
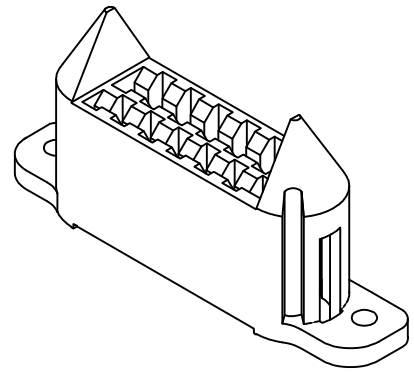
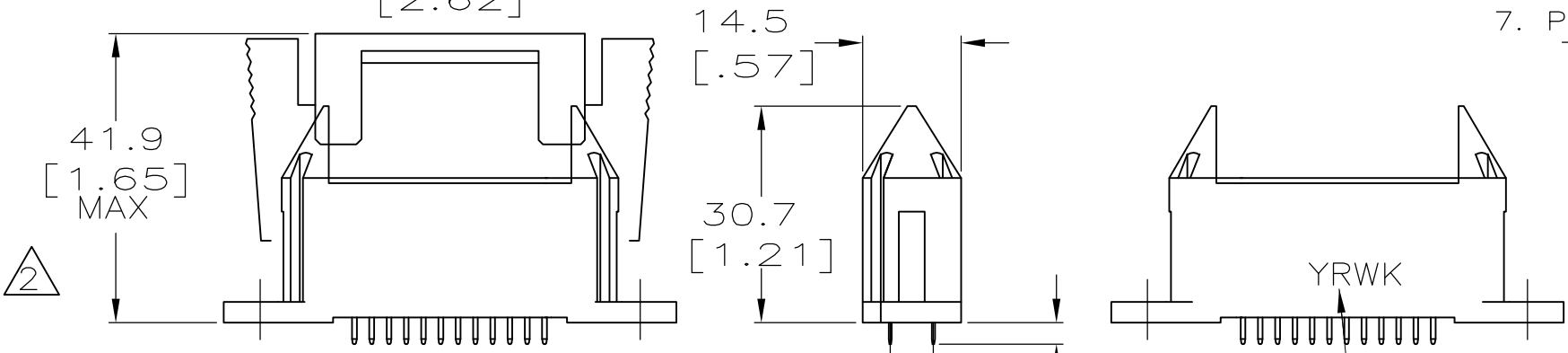
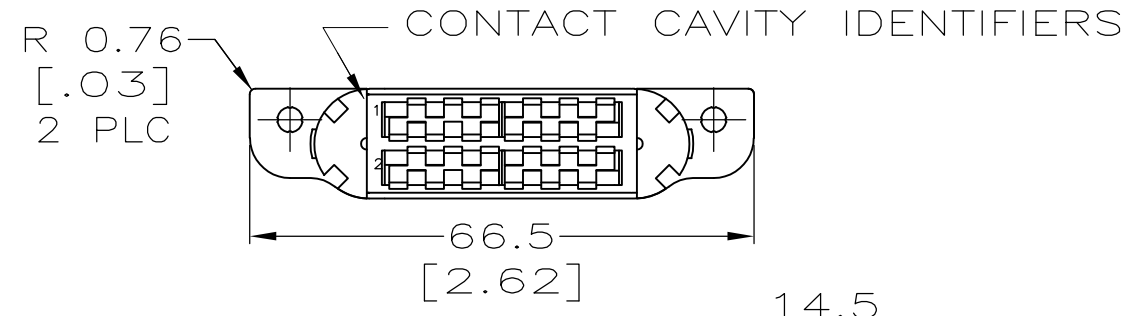


THIS DRAWING IS UNPUBLISHED. RELEASED FOR PUBLICATION  
 © COPYRIGHT - BY TYCO ELECTRONICS CORPORATION. ALL RIGHTS RESERVED.

AMPOWER and ACTION PIN are registered trademarks of AMP Incorporated.

LOC	DIST	REVISIONS					
GP	00	P	LTR	DESCRIPTION	DATE	DWN	APVD
		B		REV PE ECO-10-021237	19JAN2011	RG	MS

- 1 FINISH: SILVER ON MATING END ALL OVER NICKEL
  - 2 HEIGHT OF MATED ASSEMBLY.
  - 3 HOUSING, HIGH TEMP
  - 4 HOLE DIAMETER AFTER PLATING.
  - 5 ADD 2-DIGIT YEAR AND 2 DIGIT WEEK CODE IN CONTRASTING COLOR, INDELIBLE INK, .13" CHARACTER HEIGHT APPROX AS SHOWN (NOTE CONDUCTOR 1 & 3 SIDE OF HOUSING).
6. MOUNTING HARDWARE, 2 #4-40 SCREWS AND NUTS OR 2 EYELETS (P/N 748572-2) ARE REQUIRED.
7. PRODUCT AND PROCESSING MUST MEET REQUIREMENTS OF TYCO ELECTRONICS STANDARD 230-702.



RECOMMENDED HOLE PATTERN (TOP SIDE VIEW)

OBSOLETE	7.7 [.31]	6.35 [.250]	THK PCB	5765527-4
OBSOLETE	5.9 [.24]	4.75 [.187]	THK PCB	5765527-3
	4.1 [.16]	3.18 [.125]	THK PCB	5765527-2
	3.3 [.13]	1.57-2.36 [.062-.093]	THK PCB	5765527-1
	DIM "A"		DESCRIPTION	

THIS DRAWING IS A CONTROLLED DOCUMENT.		DWN E.C. CLAYBAUGH 02/DEC/05	Tyco Electronics Corporation Harrisburg, PA 17105-3608	
DIMENSIONS: mm [INCHES]		CHK 05/DEC/05	Tyco Electronics	
TOLERANCES UNLESS OTHERWISE SPECIFIED:		APVD J. SCHOLZ 07/DEC/05	NAME AMPOWER Wave Crimp System HEADER ASSEMBLY, .100 CL, VERTICAL DRAWER CONNECTOR	
0 PLC ± -	1 PLC ± -	PRODUCT SPEC 108-1319	SIZE A3	CAGE CODE 00779
2 PLC ± 0.25 [.010]	3 PLC ± 0.13 [.005]	APPLICATION SPEC 114-49005	DRAWING NO C-5765527	RESTRICTED TO -
4 PLC ± -	ANGLES ± -	WEIGHT -	SCALE N.T.S.	SHEET 1 OF 1
MATERIAL HIGH TEMP 3	FINISH 1	CUSTOMER DRAWING		REV B