

MICRO SWITCH

A DIVISION OF BOSTON-BASED HONEYWELL REGULATORY COMPANY
BOSTON, MASSACHUSETTS

FED. MFR. CODE 91929

SWITCH — ENCLOSED

CATALOG LISTING

51ML72

THIS DRAWING COVERS A PROPRIETARY ITEM AND IS THE PROPERTY OF MICRO SWITCH A DIVISION OF HONEYWELL THIS DRAWING IS NOT TO BE COPIED OR USED WITHOUT THE APPROVAL OF MICRO SWITCH

51ML72

M

DRAWING NUMBER

12

ISSUE

8

REVISIONS

A CO10054

AA S

25 NOV 55

B CORR

KFM

8 FEB 56

C CO10647

O.M.W.

18 JULY 56

D CO11247

O.M.W.

5 MAR 58

E CO13487

M.B.F.

10 MAR 59

F CO14233

M.B.F.

30 DEC 59

G CO22643

D.W.C.

21 MAR 67

H CO

52194-D

TSK

23 SEPT 83

J CO55094-B

J.A.P.

17 DEC 84

K CO58909

TSK

23 JAN 86

L CO74287

O.M.W.

21 APR 93

REPLACES

SR 4534

RELEASE NO

31 MAY 55

CHECK

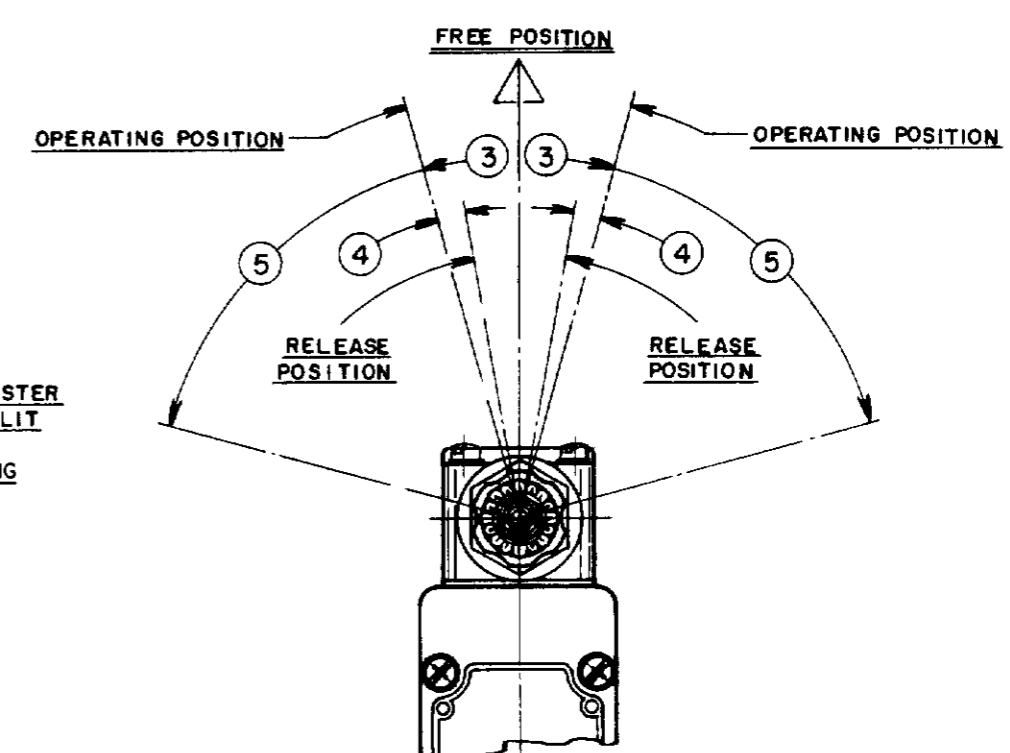
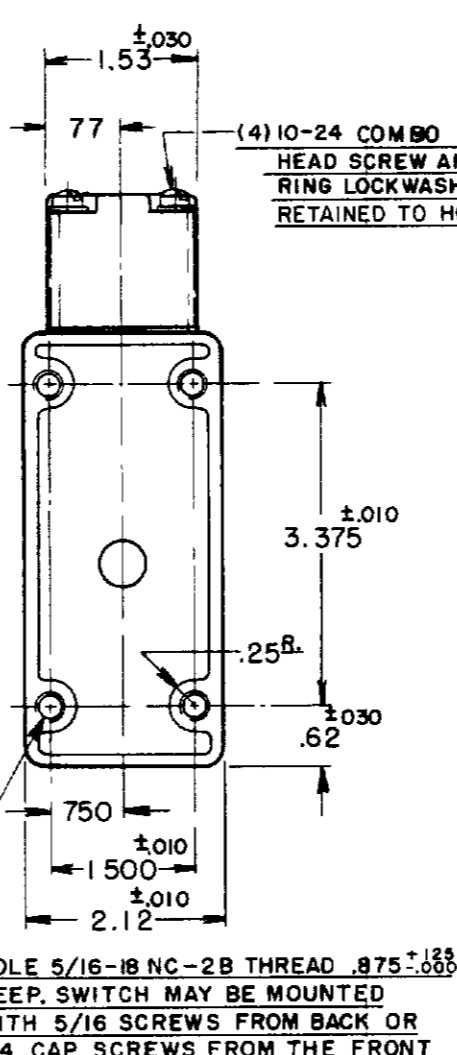
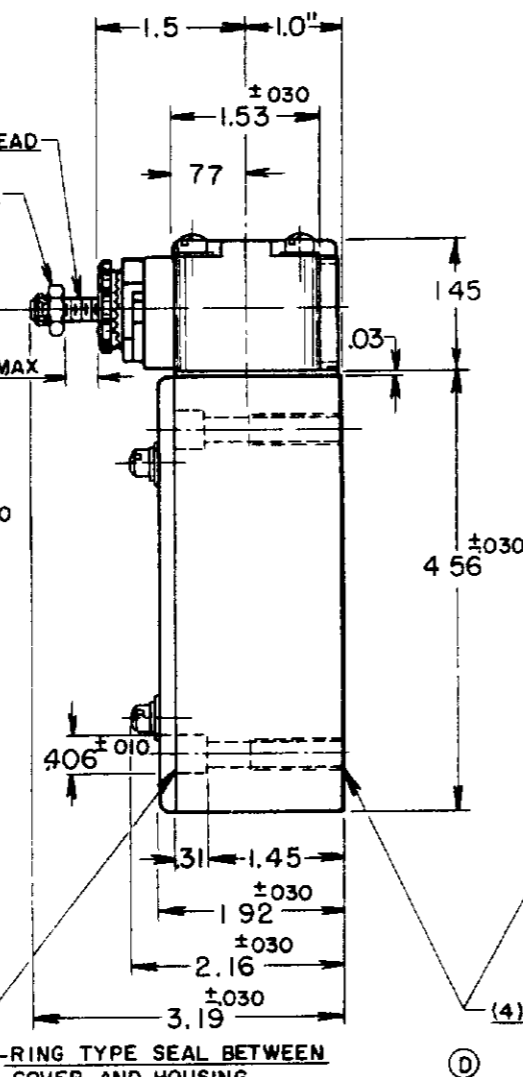
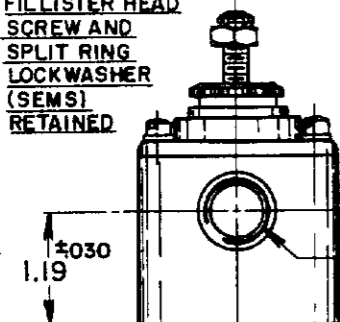
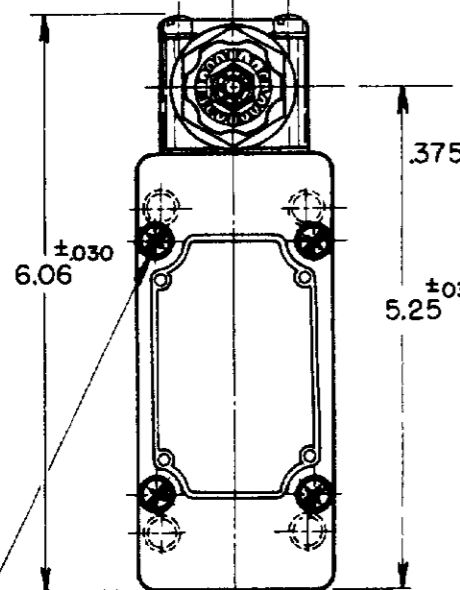
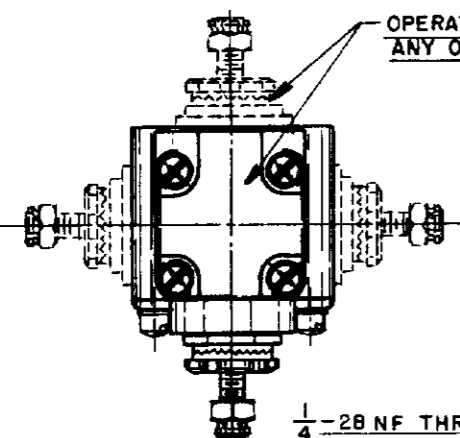
JUN 27 MAY 55

CHECK

JUN 1 JUN 58

CHECK

MAY 55



NOTES

- 1 SWITCH IS ASSEMBLED FOR ACTUATION IN EITHER DIRECTION TO CONVERT SWITCH FOR ACTUATION EITHER CLOCKWISE OR COUNTER-CLOCKWISE DIRECTION ONLY, REMOVE THE HEAD AND SLIDE THE CAM TOWARD THE REAR OF THE HEAD SUFFICIENTLY TO DISENGAGE FROM THE FLATS ON THE SHAFT. ROTATE THE CAM 90° IN THE OPPOSITE DIRECTION OF THE ACTUATION DESIRED AND RE-ENGAGE THE CAM WITH THE FLATS ON THE SHAFT
- 2
- 3 SHAFT MAY BE ADJUSTED TO ACTUATE THE SWITCH IN THE CLOCKWISE DIRECTION ONLY, THE COUNTER-CLOCKWISE DIRECTION ONLY OR IN BOTH DIRECTIONS
- 4 IT IS ESSENTIAL TO PREVENT ENTRANCE OF HARMFUL AGENTS THRU THE CONDUIT OPENING TO OBTAIN FULL BENEFIT OF THE SEALED CONSTRUCTION PROVIDED IN THIS UNIT
- 5 BASIC SWITCHING ELEMENT LISTED BY UNDERWRITERS' LABORATORIES, INC.

CHARACTERISTICS	ELECTRICAL DATA	SCALE 1/2 TO 1
OPERATING TORQUE - 5 11/32 LB. IN. MAX.	CONTACT ARRANGEMENT D. P. D. T	DO NOT SCALE PRINT
RELEASE TORQUE - 7/16 LB. IN. MIN.	BREAK DISTANCE .020 MIN	UNLESS OTHERWISE SPECIFIED
PRETRAVEL - (A) (3) 20° MAX.	(5) 10 A-125 OR 250 VAC	DIMENSIONS ARE IN INCHES
DIFFERENTIAL TRAVEL - (A) (4) 15° MAX.	0.3 A-125 VDC, 0.15 A-250 VDC	TOLERANCES ARE:
OVERTRAVEL - (A) (5) 50° MIN.		ONE PLACE (0) ±.030
FULL OVERTRAVEL		TWO PLACE (00) ±.018
TORQUE - 7 1/8 LB. IN. MAX.		THREE PLACE (000) ±.008
SWITCH-BASIC REPLACEMENT		ANGLES
DT-2R711-A7		WEIGHT