



# Part Number: DSII722

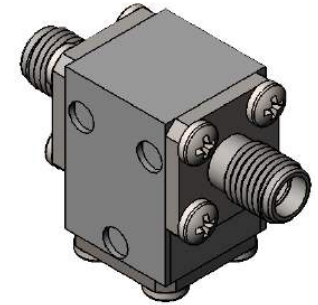
## Electrical Specifications

Frequency Range (GHz):	17.3 - 22.0
Isolation (dB):	20 MIN
Insertion Loss (dB):	0.5 MAX
VSWR:	1.25:1 MIN
Forward Power (W):	10 AVG 30 PK
Reflective Power (W):	2 AVG

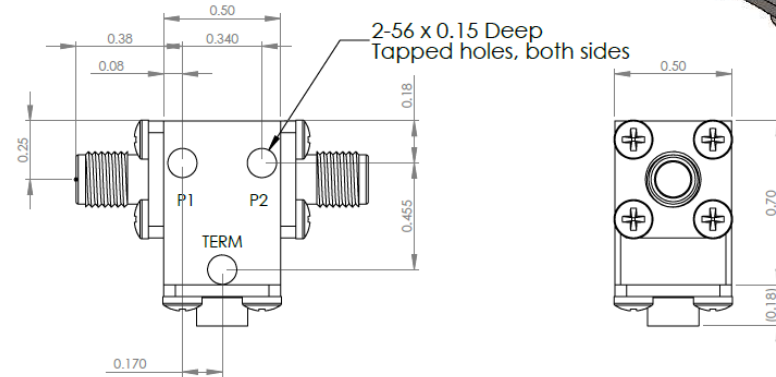
## Mechanical/Environmental Specifications

Connector Type:	SMA
Connector Body:	Passivated stainless steel
Connector Pin:	Gold plated copper
Load Body:	Brass
Magnetic Shunt:	Nickel plated CRS
Operational Temp:	-20°C to +65°C
Storage Temp:	-40°C to +120°C
Weight (oz):	0.90 MAX
Pressure:	< 1.5e <sup>-5</sup> torr
Screening Test:	Non-Operational Thermal Cycles
ATP:	Operational thermal cycling

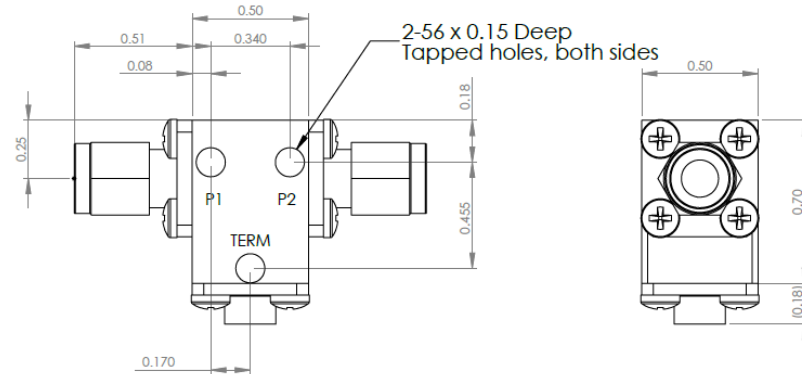
Test Report Included w/CofC. To customize test procedures or specifications to your requirements, please contact DiTom.



**DSII722 Dimensions**



**DSII722-3 Dimensions**



Dimensions are in inches  
Tolerance

XX	±0.03
XXX	±0.010

Type of Device	PN Suffix	Connector Configuration Input / Output	PN Example
Single and Dual Junction Isolator, 2-Port Device	N/A	Female / Female	DSII722
	-1	Male / Female	DSII722-1
	-2	Female / Male	DSII722-2
	-3	Male / Male	DSII722-3



# MEASURED DATA

Part Number: DS11722, +25°C

