



Copyright FCI.

A

B

C

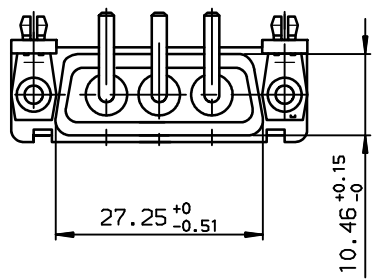
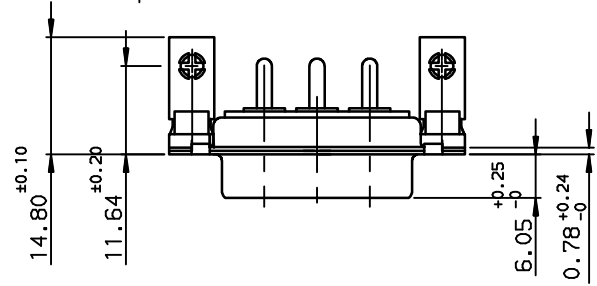
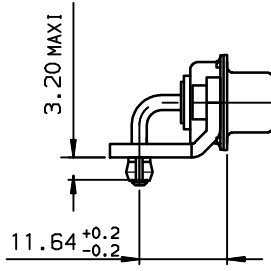
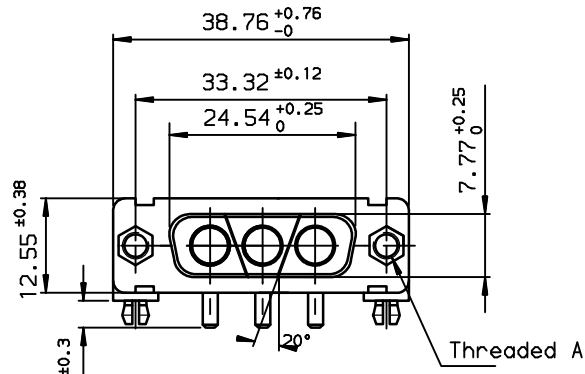
D

A

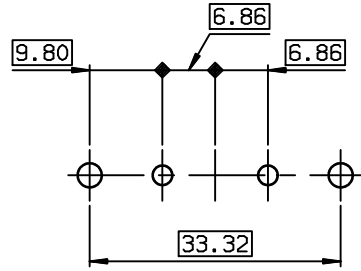
B

C

D



LAYOUT DIMENSIONS (after plating)  
CONNECTOR SIDE VIEW



TIN-LEAD PART NUMBER

DA03V3S500G30	UNC 4.40
DAL3V3S500G30	M3
PART NUMBER	Threaded A

LEAD FREE PART NUMBER

DA03V3S500G30LF	UNC 4.40
DAL3V3S500G30LF	M3
PART NUMBER	Threaded A

GENERAL CHARACTERISTICS AND ROHS INFORMATIONS:  
SEE DRAWING C01-8639-0001

European Views

www.fciconnect.com		surface ISO 1302 ✓	tolerance std ISO 406 ISO 1101	projection mm
		TOLERANCES UNLESS OTHERWISE SPECIFIED		
Dr	JOUBERT	1998/04/07	0.X	±0.1
Eng	PESSON	1998/04/07	0.XX	±0.1
Chr	LEGARE	1998/04/07	0.XXX	±0.1
Appr	LEGARE	1998/04/07	Product family D-SUB Spec ref -	
		<b>SOCKET CONNECTOR WITH POWERS CONTACTS</b>		<b>C01-8639-1579</b>
catalog no		-		CUSTOMER sheet 1 of 1

rev	ecn no	dr	date
B	-	BAR	2003/11/20
C	LS05-001	MPE	2005/03/07
D	LS06-0095	LGO	2006/07/20
-	-	-	-
-	-	-	-
-	-	-	-

REV F - 2006-04-17