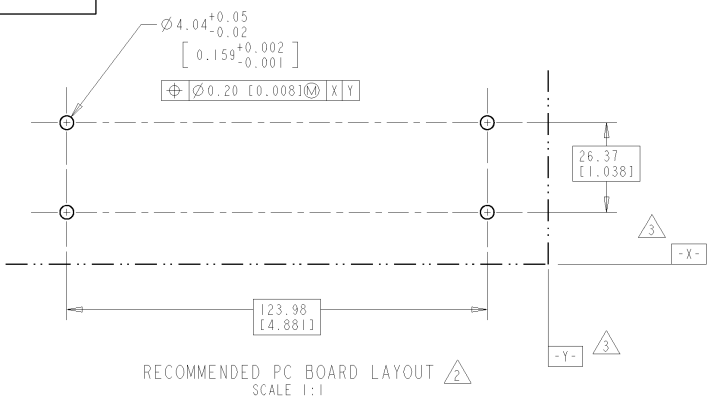
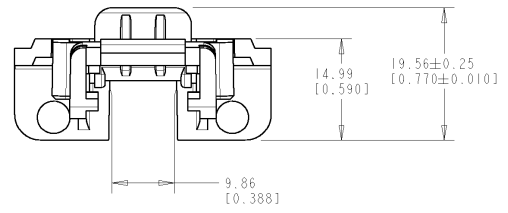
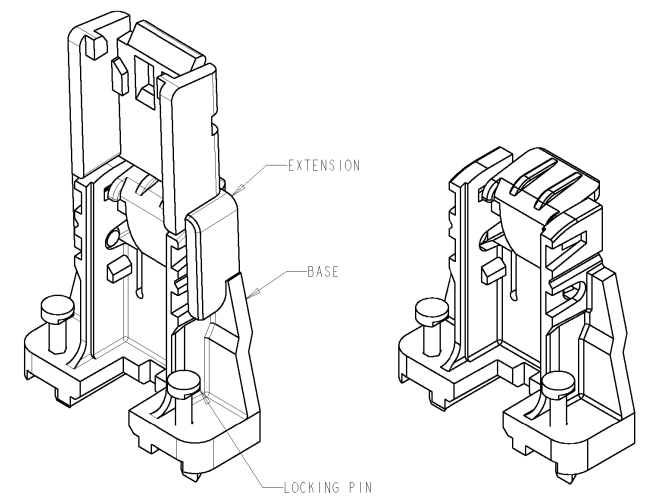
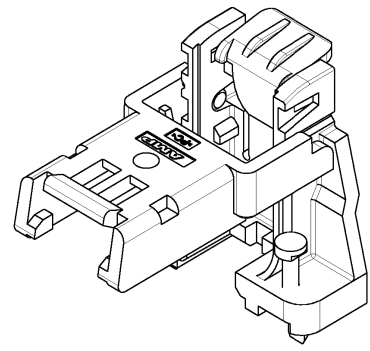
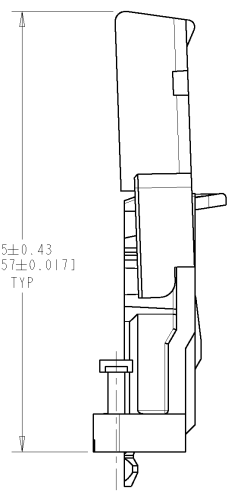
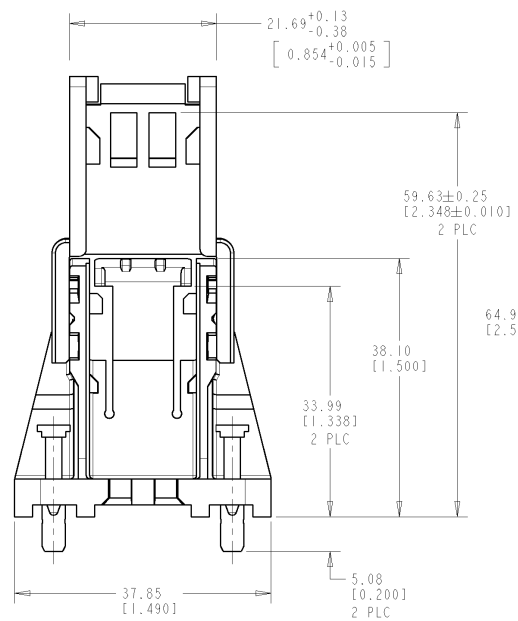


LOC	DIST	REVISIONS				
AD	14	TR	DESCRIPTION	DATE	BY	APPD
		D	RELEASED	15SEP98	RB	EL
		A	REVISED PER 0651-0241-98	29OCT98	RB	EL
		B	REVISED PER 0518-0084-99	03NOV99	JM	DS



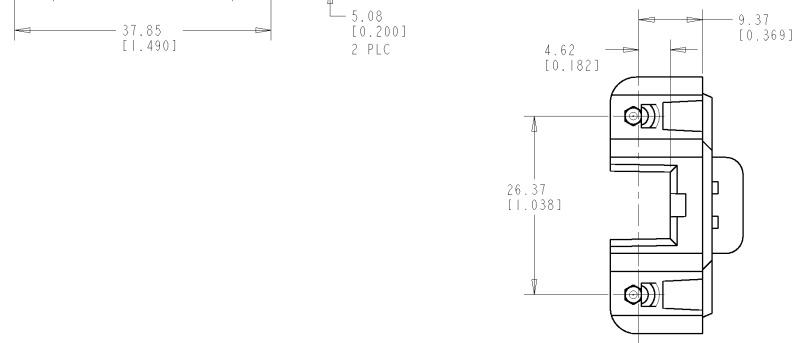
- ⚠ ALL MOLDED COMPONENTS- UL 94-V0 RATED POLYCARBONATE, BLACK.
- ⚠ RECOMMENDED PC BOARD THICKNESS OF 1.57±0.15 [0.062±0.006].
- ⚠ DATUM AND BASIC DIMENSIONS ESTABLISHED BY CUSTOMER.
- ⚠ BULK PACKAGED IN PARTITIONED BOXES IN THE EXTENDED POSITION.
- ⚠ EACH PROCESSOR INSTALLATION REQ'S TWO RETENTION MODULES.



145380-1 AND -2
EXTENDED POSITION

145380-3 AND -4

2 MODULES WITH LOCKING PINS, NO EXTENSIONS	145380-4
1 MODULE WITH LOCKING PINS, NO EXTENSIONS	145380-3
2 MODULES WITH LOCKING PINS	⚠ 145380-2
1 MODULE WITH LOCKING PINS	⚠ 145380-1
DESCRIPTION	⚠ PART NUMBER



☐ OF PCB HOLES

<small>THIS DRAWING IS A CONTROLLED DOCUMENT FOR AMP INCORPORATED. ALL US SUBJECT TO CHANGE AND THE CUSTOMER'S ENGINEERING DEPARTMENT SHOULD BE CONTACTED FOR THE LATEST REVISION.</small>		DWN B BROWN 15SEP98 CHK E LOTTER 15SEP98 APPR V RUMINSKI 15SEP98	AMP AMP Incorporated Harrisburg, PA 17105-3608
DIMENSIONS: mm [INCHES]	TOLERANCES UNLESS OTHERWISE SPECIFIED: 0 PLC ± 1 PLC ±0.13 (0.005) 2 PLC ± 3 PLC ± 4 PLC ± ANGLES ± FINISH -	NAME UNIVERSAL RETENTION MODULE ASSEMBLY KIT, PIN FASTENER	SIZE A2
MATERIAL ⚠	WEIGHT -	DRAWING NO 108-1826	RESTRICTED TO -
CUSTOMER DRAWING		SCALE 2:1	SHEET 1 OF 1

145380