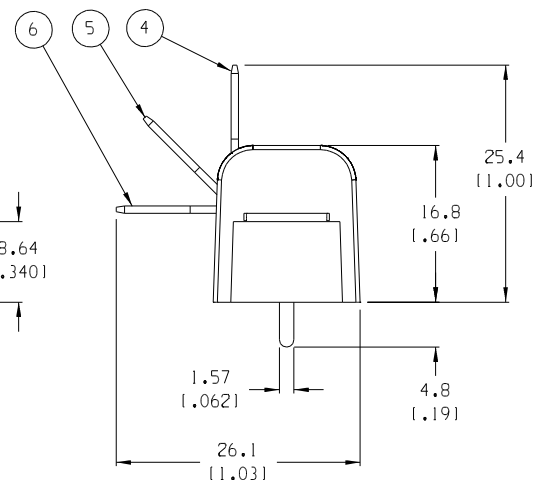
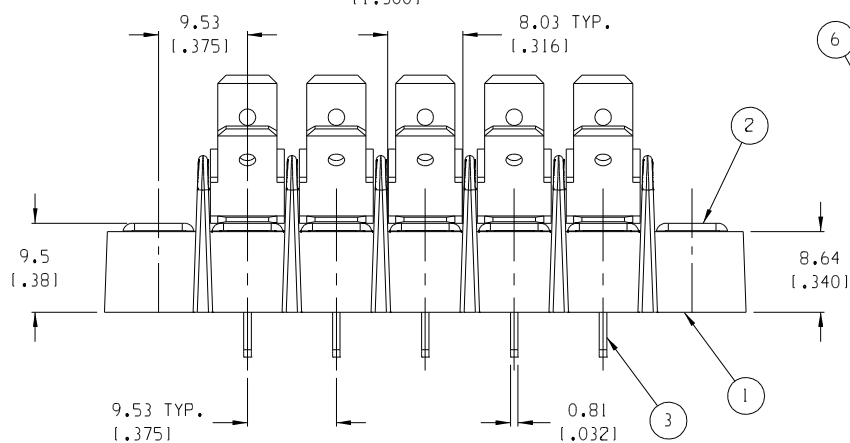


AUX. VIEW
SCALE 1:1



NOTES:

1. MATERIAL: SEE TABLE
2. FINISHES: SEE TABLE
3. PRODUCT SPECIFICATION: NOT REQUIRED
4. PACKAGING: NOT REQUIRED
5. MATES WITH: NONE
6. FAST-TAB TERMINALS ARE ASSEMBLED AS SHOWN.

7	5	SCREW, #6-32, BHD, PHIL-SLOT	STEEL	ZINC CHROMATE
6	5	FAST-TAB TERMINAL, .032 x .250, FLAT	BRASS	TIN PLATE
5	5	FAST-TAB TERMINAL, .032 x .250, SLANTED	BRASS	TIN PLATE
4	5	FAST-TAB TERMINAL, .032 x .250, VERTICAL	BRASS	TIN PLATE
3	5	TERMINAL, PC	BRASS	TIN PLATE
2	2	PLATE, MTG.	BRASS	NICKEL PLATE
1	1	INSULATOR, SR, PC	THERMOPLASTIC	BLACK
ITEM	QTY.	DESCRIPTION	MATERIAL	FINISH

EC NO. A	RELEASED	DESCRIPTION	QUALITY SYMBOLS
	CLY		MAJOR
DRINK			CRITICAL
CHK			S
APPR			
REV			

GENERAL TOLERANCES: (UNLESS SPECIFIED)		SCALE 2:1	DESIGN UNITS <input type="checkbox"/> mm <input checked="" type="checkbox"/> INCH
4 PLACES	±.0015	DRAWN BY & DATE C. YORK 02-17-05	
3 PLACES	±.038	CHECKED BY & DATE	
2 PLACES	±.13	APPROVED BY & DATE	
1 PLACE	±.3	CAD FILENAME 72505-1813H-14H15H	
ANGULAR: ±2°		MATERIAL NO. 387291590	
DRAFT WHERE APPLICABLE MUST REMAIN WITHIN DIMENSIONS		DRAWING NO. SD-38729-1590	

PROJECT NO. -	-	-
DIMENSIONS:	SHT	REV
<input checked="" type="checkbox"/> mm <input type="checkbox"/> INCH	REVISE ON CAD ONLY	
TITLE: SR BTS, PC, FAST-TAB ASSY, 5 CIRCUIT		
MOLEX INCORPORATED		
SHEET NO. 1 OF 1		SIZE B