

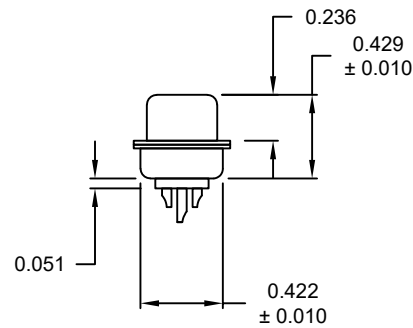
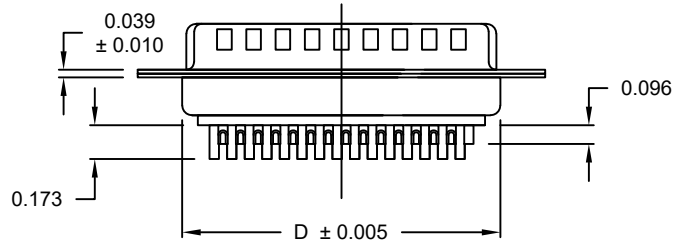
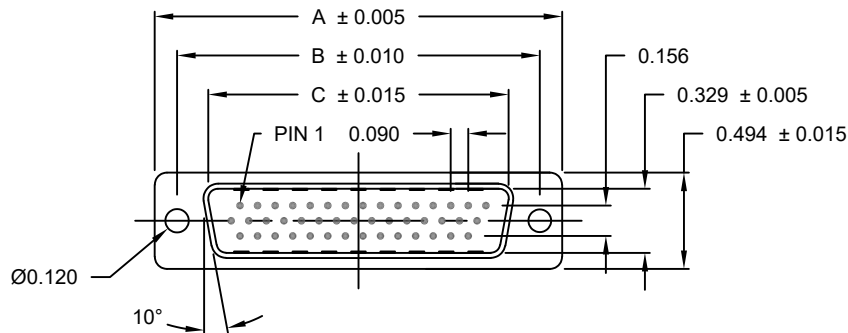
DESCRIPTION: MALE - HIGH DENSITY - MACHINED CONTACTS - SOLDER CUP

**MATERIALS AND FINISH:**

SHELL: STEEL MATERIAL, NICKEL FINISH  
 INSULATOR: PBT THERMOPLASTIC 30% GLASS FILLED  
 UL 94 V-0 RATED, BLACK  
 (PROCESS TEMP 230°C)  
 CONTACT MATERIAL: BRASS  
 CONTACT FINISH: SELECTIVE GOLD FINISHED  
 SEALING MATERIAL: F08 FLEXIBLE ADHESIVE

**ELECTRICAL:**

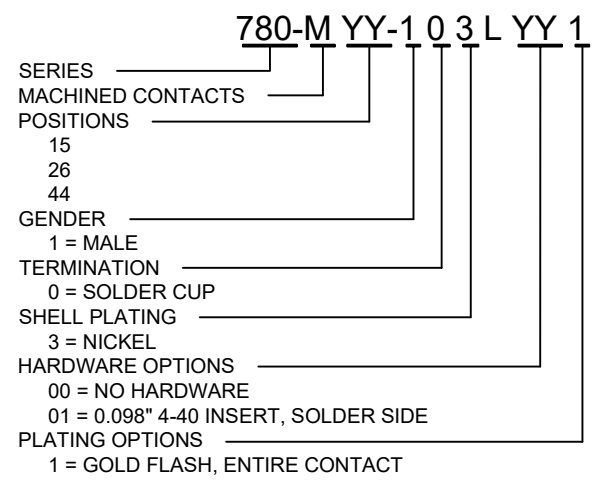
CONTACT CURRENT RATING: 3 AMPS  
 CONTACT RESISTANCE: 30 mOHMS Max.  
 DIELECTRIC WITHSTANDING VOLTAGE: 1,000VAC Min.  
 INSULATION RESISTANCE: 5 GOHMS Min.  
 TEMPERATURE RATING: -55° ~ +105° C



DIMENSIONS				
No. OF PINS	A	B	C	D
15	1.213	0.984	0.666	0.759
26	1.541	1.312	0.994	1.083
44	2.088	1.852	1.534	1.625

**MEETS IP67 STANDARDS**  
 (SEE PAGE 3 FOR SEALING DETAILS)

**ACCEPTS 28 - 24 AWG WIRE**



**RoHS COMPLIANT**

UNITS = inch

**DO NOT SCALE FROM DRAWING**



THESE DRAWINGS AND SPECIFICATIONS ARE THE PROPERTY OF NorComp AND SHALL NOT BE REPRODUCED, COPIED OR USED AS THE BASIS FOR THE MANUFACTURE OR SALE OF APPARATUS WITHOUT WRITTEN PERMISSION.

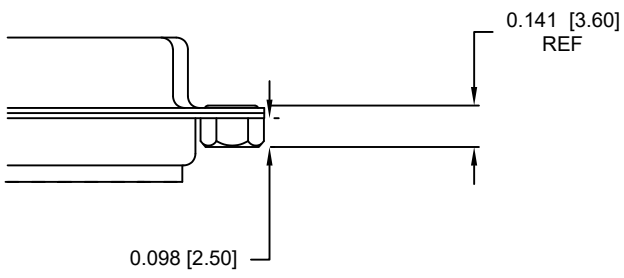
DRAWN: C. SMITH  
 DATE: 06/11/2009

**NorComp**

SCALE: NTS  
 SHEET 1 OF 3  
 REV 5  
 DWG NO. 780-MYY-103L YY1

ALL CLINCH-NUTS ARE 4-40 INTERNAL THREADS

01X ..... 0.098" (SOLDER SIDE)



RoHS COMPLIANT

UNITS = inch [mm]

DO NOT SCALE FROM DRAWING

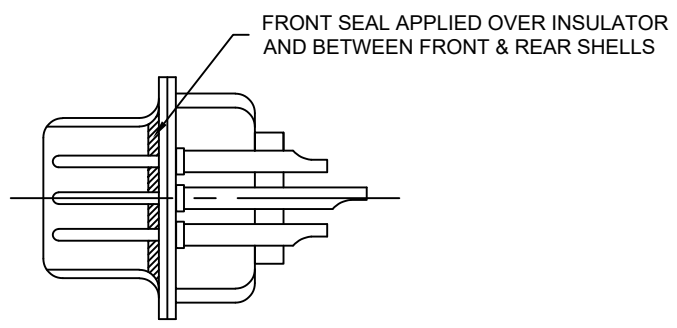
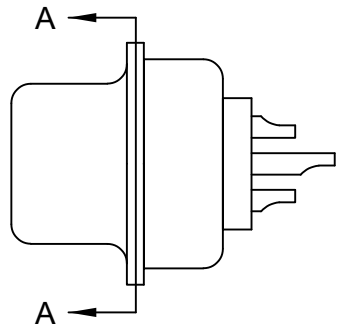


THESE DRAWINGS AND SPECIFICATIONS ARE THE PROPERTY OF NorComp AND SHALL NOT BE REPRODUCED, COPIED OR USED AS THE BASIS FOR THE MANUFACTURE OR SALE OF APPARATUS WITHOUT WRITTEN PERMISSION.

DRAWN:  
C. SMITH  
DATE:  
06/11/2009

NorComp

SCALE: NTS	SHEET 2	OF 3	REV 5
DWG NO.		780-MYY-103LYY1	



DETAIL A-A

RoHS COMPLIANT

DO NOT SCALE FROM DRAWING



THESE DRAWINGS AND SPECIFICATIONS ARE THE PROPERTY OF NorComp AND SHALL NOT BE REPRODUCED, COPIED OR USED AS THE BASIS FOR THE MANUFACTURE OR SALE OF APPARATUS WITHOUT WRITTEN PERMISSION.

DRAWN:  
C. SMITH  
DATE:  
06/11/2009

**NorComp**

SCALE: NTS	SHEET 3	OF 3	REV 5
DWG NO.		780-MYY-103LYY1	