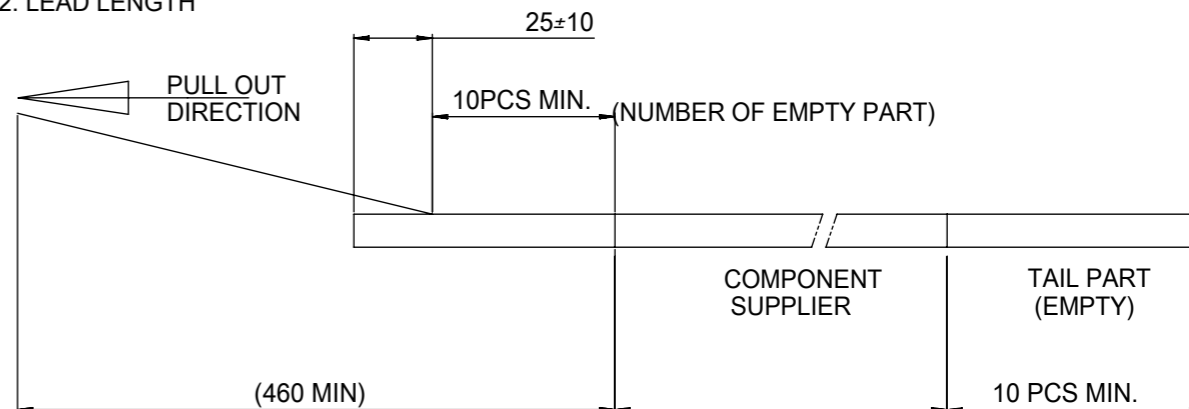


NOTES

1. QUANTITY OF CONNECTORS : 2,000PCS/REEL

2. LEAD LENGTH



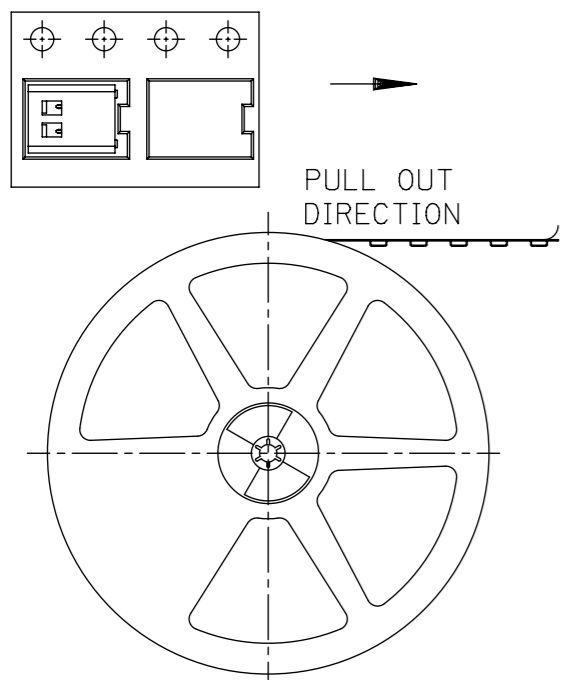
3. PEELING OFF FORCE OF COVER TAPE : 0.1N~0.59N(10.2GF~60GF)
 (PEELING DIRECTION AS SHOW IN FOLLOW FIG.)
 PEELING OFF SPEED : 300mm/Min.(Ref.)



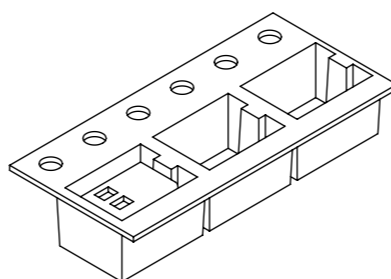
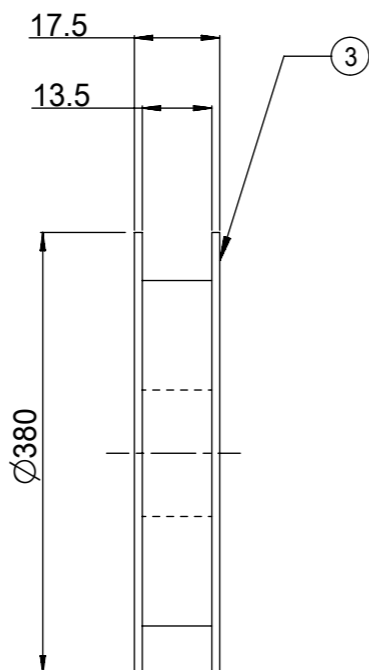
4. FLASH IN ANY PORTION SHOULD BE LESS THAN 0.20mm MAX.

104050-0217	104050-0210	12.0mm	104050-9001
MATERIAL NO.	CONNECTOR	TAPE WIDTH	EMBOSS TAPE

3	PLASTIC BOBBIN	HI P.S	WHITE
2	COVER TAPE	PET ANTISTATIC	9.3mm
1	CARRIER (EMBOSS) TAPE	PET ANTISTATIC	
NO.	DESCRIPTION	MATERIAL	REMARK



PLASTIC BOBBIN



SYMBOLS ▽ = 0 ▽ = 0 ▽ = 0 ▽ = 0 ▽ = 0 ▽ = 0 ▽ = 0 ▽ = 0 ▽ = 0 ▽ = 0 ▽ = 0 ▽ = 0 ▽ = 0	THIS DRAWING CONTAINS INFORMATION THAT IS PROPRIETARY TO MOLEX ELECTRONIC TECHNOLOGIES, LLC AND SHOULD NOT BE USED WITHOUT WRITTEN PERMISSION DIMENSION UNITS SCALE mm 4:1		CURRENT REV DESC: EC NO: 604036 DRWN: JSSHIN 2018/09/06 CHK'D: SHCHU 2018/09/06 APPR: SHCHU 2018/09/06					
	GENERAL TOLERANCES (UNLESS SPECIFIED) ANGULAR TOL ± 3.0°		INITIAL REVISION: DRWN: CBCHIN 2009/12/03 APPR: YUNSIKKIM 2009/12/04					1.6 W-T-B CONN. HEADER ASS'Y-2P EMBOSSD PACKAGE
	4 PLACES ± 3 PLACES ± 2 PLACES ± 0.2 1 PLACE ± 0.2 0 PLACES ±		DRAFT WHERE APPLICABLE MUST REMAIN WITHIN DIMENSIONS		THIRD ANGLE PROJECTION 		DRAWING SERIES MATERIAL NUMBER CUSTOMER SHEET NUMBER A3-SIZE 104050 1040500217 GENERAL MARKET 1 OF 1	
	PRODUCT CUSTOMER DRAWING DOCUMENT NUMBER DOC TYPE DOC PART REVISION SD-104050-002 PSD 001 B1							