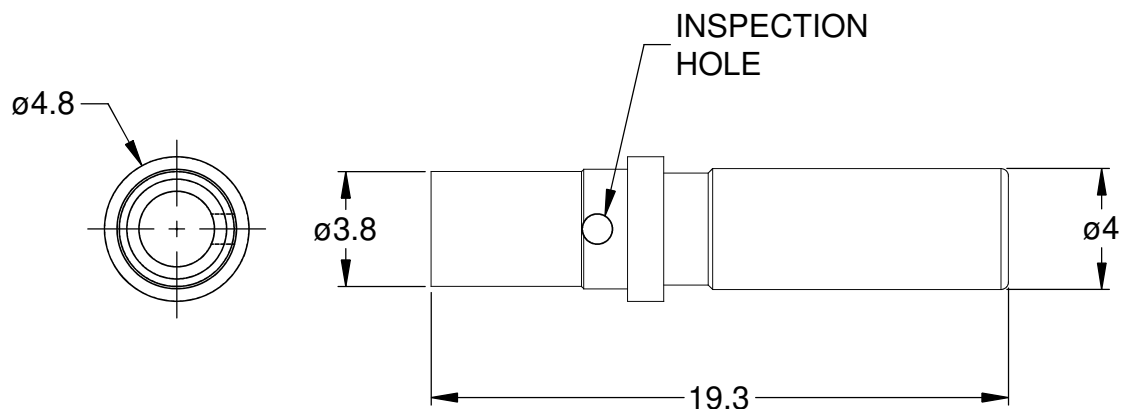
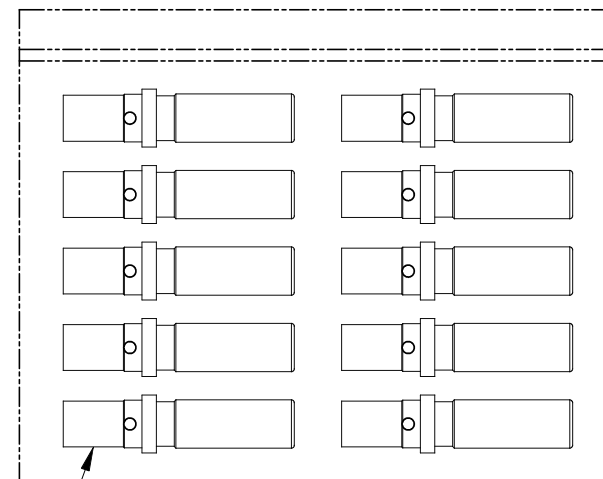


REVISIONS

REV	ECO	DESCRIPTION	DATE	BY	APPR
A	-	RELEASE	10/07/13	DRP	-



REFERENCE DIMENSIONS



KIT CONTENTS

1

NOTES: UNLESS OTHERWISE SPECIFIED

- MATERIAL: COPPER ALLOY; NICKEL PLATED
- CONTACT SIZE: 12
- SPECIFICATIONS:
  - CURRENT RATING: 25 AMP
  - CONTACT MILLIVOLT DROP: 60 MILLIVOLT DROP @ 25 AMP TEST CURRENT.
  - RoHS COMPLIANT
- RECOMMENDED WIRE RANGE: 12 - 14 AWG
- AVAILABLE HAND CRIMPER: CA-5D12
- ALL DIMENSIONS ARE FOR REFERENCE USE ONLY

10	AT62-203-12141	CONTACT, SOCKET, SOLID, SIZE 12	1
	PART NUMBER	DESCRIPTION	ITEM
QUANTITY		MATERIALS LIST	
UNLESS OTHERWISE SPECIFIED		<p style="text-align: center;"><b>Amphenol</b></p> <p>Sine Systems - www.amphenol-sine.com 44724 Morley Drive Clinton Township, MI 48036</p> <p style="text-align: center;">KIT, SIZE 12 SOLID SOCKET, 12-14 AWG, ATP &amp; AHD-6 SERIES, 10 PCS</p>	
1) All dimensions are in metric(mm).			
2) Tolerances are as follows:			
1 PL DEC ±0.30 2 PL DEC ±0.15 3 PL DEC ±0.08			
Fractions ±1/64 Angles ±1°			
3) Note reference =		SIGNATURES      DATE DRAWN: D.PARKS      10/07/13 CHECKED: ENGINEER: APPROVAL: CUSTOMER:	
MATERIAL SPECIFICATIONS:		THIS DRAWING IS SUPPLIED FOR INFORMATION ONLY. DESIGN FEATURES, SPECIFICATIONS AND PERFORMANCE DATA SHOWN HEREON ARE THE PROPERTY OF THE AMPHENOL CORPORATION. NO RIGHTS OF REPRODUCTION ARE IMPLIED. ALL DIMENSIONS ARE SUBJECT TO NORMAL MANUFACTURING VARIATIONS.	
PROCESS SPECIFICATIONS:		SIZE: <b>A</b> TYPE: <b>C-</b> SCALE: NONE	DWG NO: <b>AT62-203-12NKIT</b> REVISION: <b>A</b>
NEXT ASS'Y:		SHEET 1 OF 1	