

MICRO SWITCH

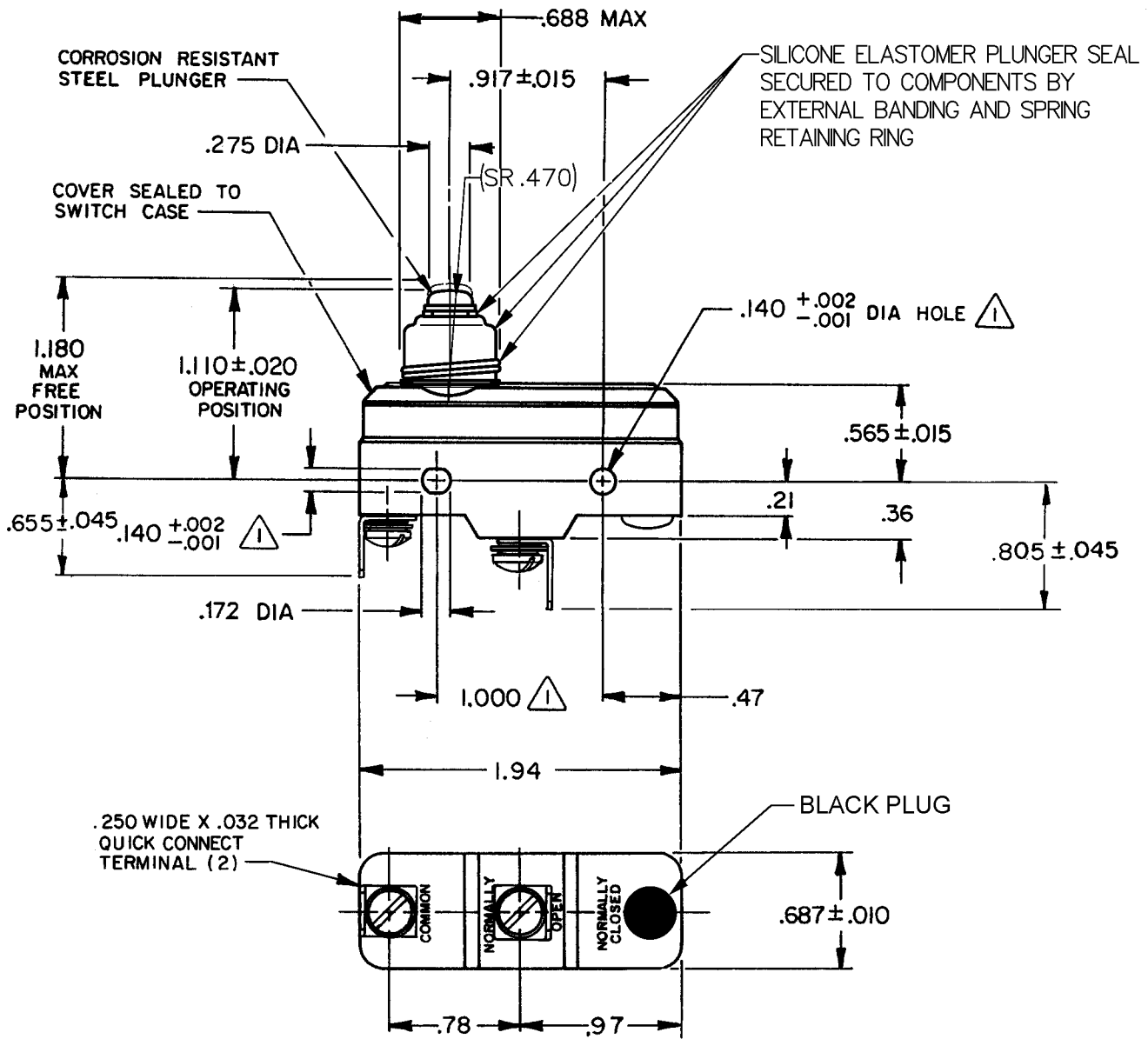
FREEMONT ILLINOIS, U.S.A
A DIVISION OF HONEYWELL
FED. MFG. CODE 91929

SWITCH - BASIC

CATALOG LISTING

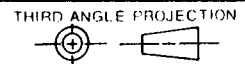
YZ-2RDS5551-D6

YZ-2RDS5551-D6
 PAGE 1 OF 1
 RELEASE NO. PR-14099
 REPLACES X81359-YZ
 DRAWING NUMBER
9
 ISSUE



- NOTES**
- ① MOUNTING HOLES WILL ACCEPT PINS OR SCREWS OF .139 MAX DIA ON 1.000 ± .002 CENTERS
 - 2 - SEALED CONSTRUCTION PROVIDES SPLASH RESISTANCE

THIS DRAWING COVERS A PROPRIETARY ITEM AND IS THE PROPERTY OF MICRO SWITCH, A DIVISION OF HONEYWELL. THIS DRAWING IS NOT TO BE COPIED OR USED WITHOUT THE APPROVAL OF MICRO SWITCH.



CHARACTERISTICS	
OPERATING FORCE	----- 13-19 OZ
RELEASE FORCE	----- 4 OZ MIN
DIFFERENTIAL TRAVEL	--- .0004 - .0025
OVERTRAVEL	----- .060 MIN

ELECTRICAL DATA	
CONTACT ARRANGEMENT S P N O	
L96	15A 125, <u>250</u> OR 480 VAC 1/8 HP 125 VAC, 1/4 HP <u>250</u> VAC 1/2A 125 VDC, 1/4A 250 VDC
L288 L299 L306	CE Ⓟ Ⓡ Ⓢ
	16A 250V ~ T85 5E4

SCALE FULL			
DO NOT SCALE PRINT			
TOLERANCES			
APPLY TO DESIGN UNITS. CONVERSIONS ARE ONLY FOR REFERENCE. UNLESS NOTED, TOLERANCES ARE ±			
DIM. mm	TOL. mm/in	DIM. in	TOL. mm/in
NO PLACES	X	1/64	X X 0.8/03
ONE PLACE	X,X	0.4/0.016	X X X 0.38/0.015
TWO PLACES	X,XX	0.15/0.006	X X X X 0.13/0.005
THREE PLACES	X,XXX		
ANGLES			
DESIGN UNITS		SI METRIC	US CUSTOMARY
		<input type="checkbox"/>	<input checked="" type="checkbox"/>
WEIGHT .085 LB			

REVISIONS

A	C067209	J A P	3 MAY 90
B	C071458	J A L	21 NOV 91
C	CO-77588	K O R	29 MAR 94
D	78275	S A D	22 JUL 94
E	CO 80938	DLT	12 JUN 95
F	C083108	G J W	13 JUN 96
G	C093346	DLT	22 SEP 98
H	0000677	J L H	25 JUN 03

 CHECK K A G
 5 AUG 85
 6 AUG 85
 9 AUG 85
 DRAWN RASTER