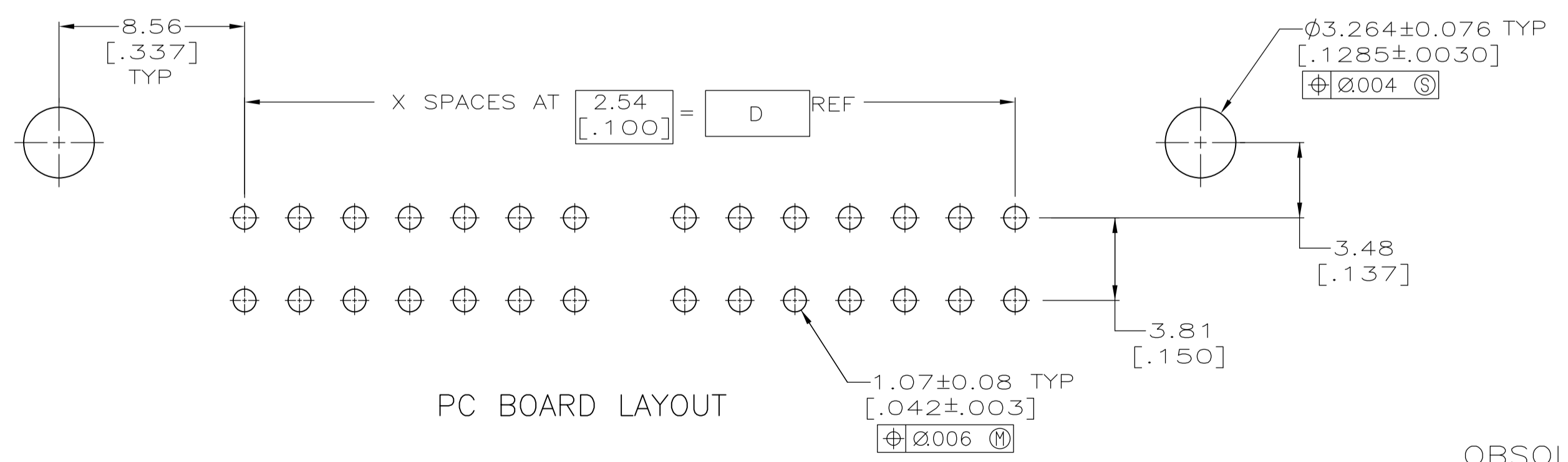
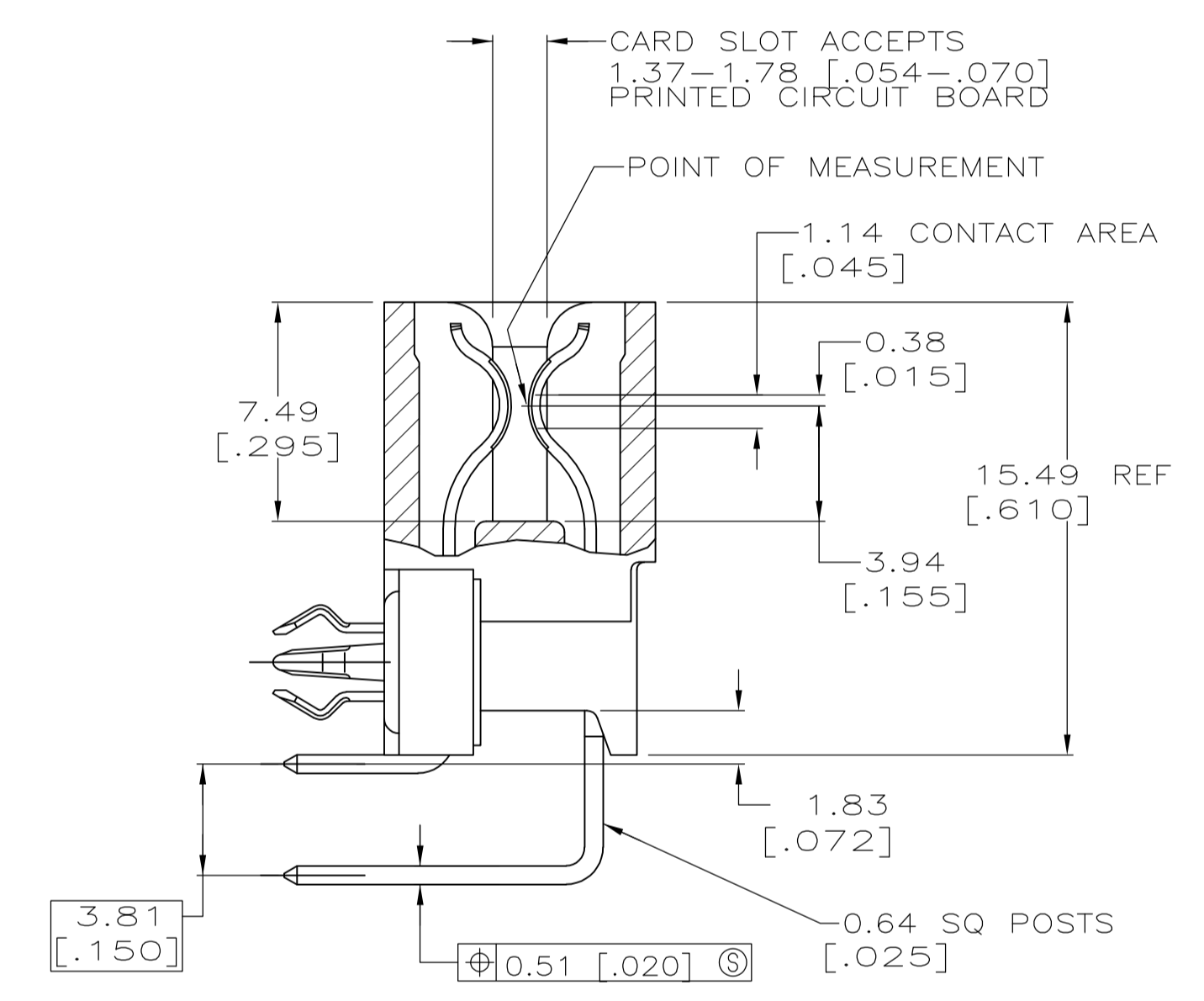
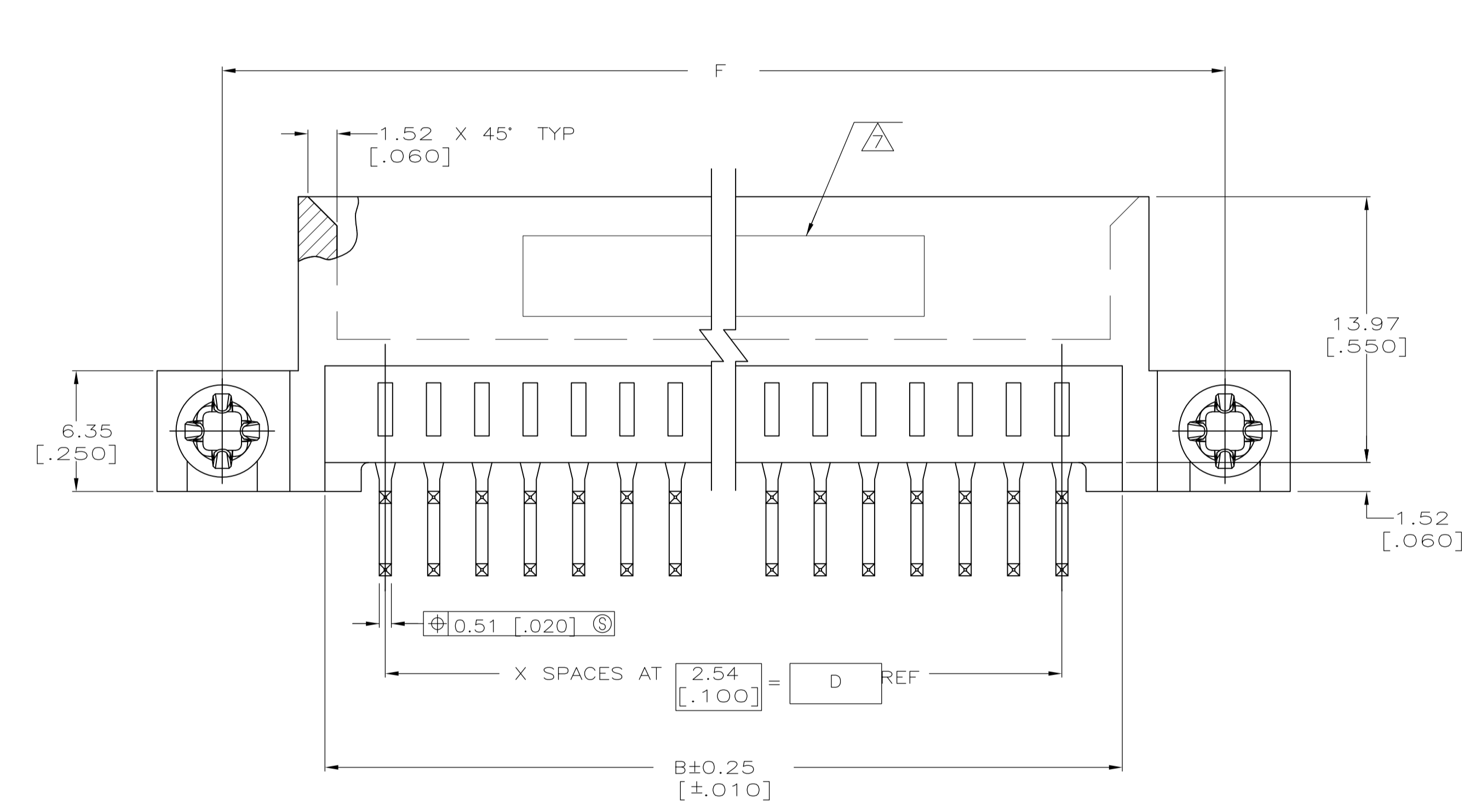


- ① HOUSING: GLASS FILLED POLYESTER; COLOR: BLACK.
- ② CONTACT: PHOSPHOR BRONZE.
- ③ NICKEL UNDERPLATE: 0.00127 [.000050] MIN - ALL OVER.
- ④ TIN-LEAD PLATE: 0.00254 [.000100] MIN - SOLDER POSTS.
- ⑤ GOLD PLATE: 0.00076 [.000030] MIN - CONTACT AREA.
- ⑥ NICKEL PLATE PER MIL-G-45204. GOLD PLATE PER QQ-N-290.
- ⚠ AMP PART NUMBER AND DATE CODE ARE MARKED IN APPROXIMATE AREA SHOWN, OPPOSITE POST TIPS.
- 8. RECOMMENDED PCB FINISHED HOLE DIA: 1.07±0.08 [.042±.003].
- 9. PACKAGED IN GANG OF TUBES.



OBSOLETE	3.43(.135)	11	45.08(1.775)	51.94(2.045)	27.94(1.100)	33.02(1.300)	34.29(1.350)	37.08(1.460)	12	145089-2
	2.286(.090)	11	45.08(1.775)	51.94(2.045)	27.94(1.100)	33.02(1.300)	34.29(1.350)	37.08(1.460)	12	145089-1
	G	X	F	E	D	C	B	A	NO OF POSN	PART NUMBER

THIS DRAWING IS A CONTROLLED DOCUMENT.

DIMENSIONS: mm	TOLERANCES UNLESS OTHERWISE SPECIFIED:	DIN AL FRANTUM 08 SEP 04	Tyco Electronics Corporation Harrisburg, Pa 17105-3608
0 PLC ± -	1 PLC ± -	AWF 08 SEP 04	
2 PLC ± ± 0.13[.005]	3 PLC ± -	NAME	CONNECTOR ASSEMBLY, STANDARD EDGE II, RIGHT ANGLE
4 PLC ± -	ANGLES ± °	PRODUCT SPEC	
MATERIAL	FINISH	APPLICATION SPEC	
WEIGHT	SCALE 5:1	SIZE CAGE CODE DRAWING NO	RESTRICTED TO
		A1 00779 C=145089	
		CUSTOMER DRAWING	SHEET 1 OF 1 REV C1