

8 7 6 5 4 3 2 1

H

G

F

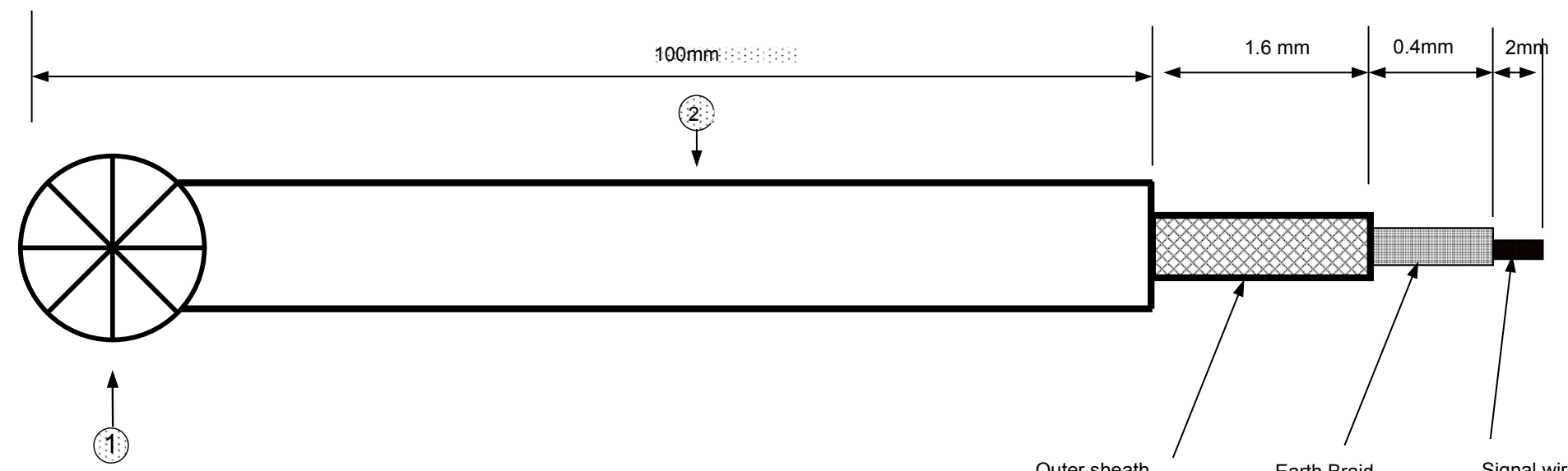
E

D

C

B

A



Outer sheath removed to expose the Earth Braid. Earth Braid is solder tinned

Earth Braid removed to expose signal wire Insulation.

Signal wire Insulation removed to expose signal wire. Signal wire solder tinned

Photo of complete CBA



PARTS LIST				
ITEM	QTY	MANUFACTURER	PART NUMBER	DESCRIPTION
1	1			UFL connector designed to mount with a PCB which has
2	2			Coax Cable

DESCRIPTION					
Antenna Cable					
DRAWING NUMBER			DRAWN BY		DATE
CBA-UFL-OP			JF		7 Oct 09
REV	REV	INIT	DESCRIPTION		APR
1	1	JF	Initial drg		DATE

8 7 6 5 4 3 2 1