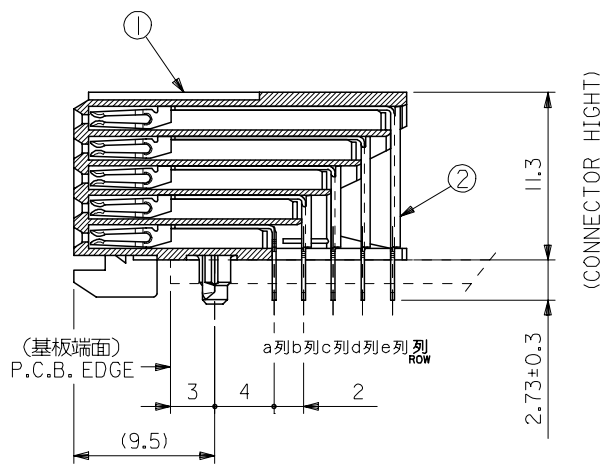
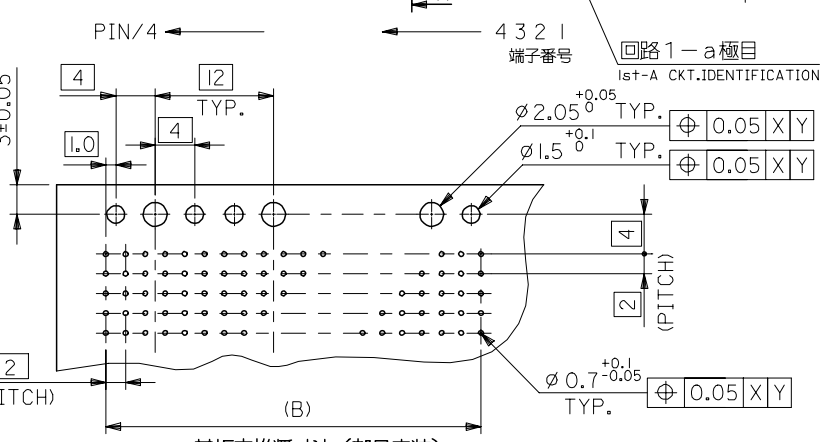
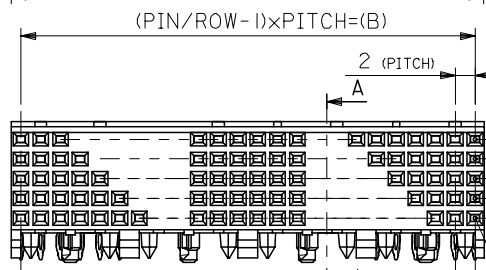
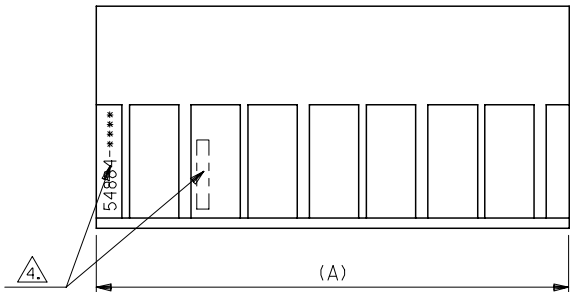


番号 No.	部品 PART NAME	材質 MATERIAL	仕上げ FINISH
①	リセプタクル ハウジング RECEPTACLE HOUSING	液晶ポリマー、ガラス充填、自然色(白)、UL 94V-0 LIQUID CRYSTAL POLYMER, GLASS FILLED, NATURAL(WHITE), UL94V-0	—
②	リセプタクル ターミナル RECEPTACLE TERMINAL	リン青銅 PHOSPHOR BRONZE	△



A-A  
(NON-SCALE)

注記  
NOTE :

△ターミナル めっき仕様  
TERMINAL PLATING  
 金めっき : 0.76 μm MIN. (接点部)  
 GOLD : 0.76 μm MIN. (CONTACT AREA)  
 TIN : 1.0~2.5 μm (半田付け部)  
 TIN : 1.0~2.5 μm (SOLDER AREA)  
 ニッケルめっき : 2.0 μm MIN. (下地めっき)  
 NICKEL : 2.0 μm MIN. (UNDER PLATING)

2.推奨基板厚 : t=1.6, 2.4mm  
 RECOMMENDED P.C.B. THICKNESS : t=1.6, 2.4mm

3.適合プラグ : 55060, 55332, 55333  
 APPLICABLE PLUG : 55060, 55332, 55333

△製品番号及びロットナンバー  
 MATERIAL NO. & LOT NO.

46	47.98	54884-1209	120
22	23.98	54884-0609	60
10	11.98	54884-0309	30
B	A	MATERIAL NO.	PIN

基板穴推奨寸法 (部品実装)  
RECOMMENDED P.C.B. LAYOUT (COMPONENT SIDE)

DO NOT SCALE DRAWING

EC NO. DRWN: CHK: APPR:	EC NO. DRWN: CHK: APPR:	EC NO. DRWN: CHK: APPR:	Revised EC NO. SH2007-0175 DRWN: Felix Wang 2007/01/11 CHK: Harvey Wang 2007/01/11 APPR:	New Release EC NO. DRWN: Harvey Wang 8/25/04 CHK: Grate Ma 8/25/04 APPR:	DESCRIPTION	MATERIAL 材料	GENERAL TOLERANCES: (UNLESS SPECIFIED) 一般公差	SCALE 2-1	DESIGN UNITS <input checked="" type="checkbox"/> mm <input type="checkbox"/> INCH	THIRD ANGLE PROJECTION	MODEL NO. : 54884-****9	DIMENSIONS: <input type="checkbox"/> mm <input type="checkbox"/> INCH <input type="checkbox"/> mm <input checked="" type="checkbox"/> ONLY	SHT	REV
						—	10 UNDER 未満 +0.2	DRAWN BY & DATE Harvey Wang Aug.25'04	<input checked="" type="radio"/> mm <input type="radio"/> INCH	<input type="radio"/> mm <input type="radio"/> INCH	TITLE: "MFB" B/B CONN. (FB+) REC. ASS'Y 5ROW P/F (LEAD FREE)			
						—	10 OVER 以上 30 UNDER 未満 +0.25	CHECKED BY & DATE Grate Ma Aug.25'04	<input type="radio"/> mm <input type="radio"/> INCH	<input type="radio"/> mm <input type="radio"/> INCH				
						—	30 OVER 以上 +0.3	APPROVED BY & DATE	<input type="radio"/> mm <input type="radio"/> INCH	<input type="radio"/> mm <input type="radio"/> INCH	MOLEX MOLEX INCORPORATED			
						—	ANGLE 角度 ±3°	CAD FILENAME SD-54884-002.S01	<input type="radio"/> mm <input type="radio"/> INCH	<input type="radio"/> mm <input type="radio"/> INCH	MATERIAL NO. SEE TABLE	DRAWING NO. SD-54884-004	SHEET NO. 1 OF 1	SIZE B
						—								