

# SN74AXC4T774 4-Bit Dual-Supply Bus Transceiver with Independent Direction Control, Configurable Voltage Translation, and Tri-State Outputs

## 1 Features

- Fully configurable dual-rail design allows each port to operate with a power supply range from 0.65 V to 3.6 V
- Operating temperature from  $-40^{\circ}\text{C}$  to  $+125^{\circ}\text{C}$
- Independent direction control pins to allow configurable up and down translation
- Glitch-free power supply sequencing
- Up to 310 Mbps support when translating from 1.8 V to 3.3 V
- $V_{CC}$  isolation feature
  - If either  $V_{CC}$  input is below 100 mV, all I/Os outputs are disabled and become high-impedance
- $I_{off}$  supports partial-power-down mode operation
- Compatible with AVC family level shifters
- Latch-up performance exceeds 100 mA per JESD 78, Class II
- ESD protection exceeds JESD 22
  - 8000-V human-body model
  - 1000-V charged-device model

## 2 Applications

- Enterprise and communications
- Industrial
- Personal electronics
- Wireless infrastructure
- Building automation
- Point of sale

## 3 Description

The SN74AXC4T774 is a four-bit non-inverting bus transceiver that uses two individually configurable power-supply rails. The device is operational with both  $V_{CCA}$  and  $V_{CCB}$  supplies as low as 0.65 V. The A port is designed to track  $V_{CCA}$ , which accepts any supply voltage from 0.65 V to 3.6 V. The B port is designed to track  $V_{CCB}$ , which also accepts any supply voltage from 0.65 V to 3.6 V. Additionally the SN74AXC4T774 is compatible with a single-supply system.

The SN74AXC4T774 device is designed for asynchronous communication between data buses. The device transmits data from the A bus to the B bus or from the B bus to the A bus, depending on the logic level of the direction-control inputs (DIRx). The output-enable input ( $\overline{OE}$ ) is used to disable the outputs so the buses are effectively isolated. The SN74AXC4T774 device is designed so the control pins (DIRx and  $\overline{OE}$ ) are referenced to  $V_{CCA}$ .

To ensure the high-impedance state of the level shifter I/Os during power up or power down, the  $\overline{OE}$  pin should be tied to  $V_{CCA}$  through a pullup resistor.

This device is fully specified for partial-power-down applications using the  $I_{off}$  current. The  $I_{off}$  protection circuitry ensures that no excessive current is drawn from or to an input, output, or combined I/O that is biased to a specific voltage while the device is powered down.

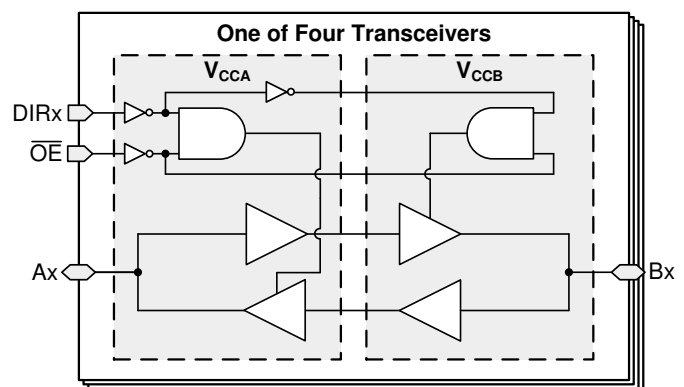
The  $V_{CC}$  isolation feature ensures that if either  $V_{CCA}$  or  $V_{CCB}$  is less than 100 mV, both I/O ports are set to the high-impedance state by disabling their outputs.

Glitch-free power supply sequencing allows either supply rail to be powered on or off in any order while providing robust power sequencing performance.

### Device Information

PART NUMBER	PACKAGE <sup>(1)</sup>	BODY SIZE (NOM)
SN74AXC4T774PW	TSSOP (16)	5.00 mm x 4.40 mm
SN74AXC4T774BQB	WQFN (16)	2.50 mm x 3.50 mm
SN74AXC4T774RSV	UQFN (16)	2.60 mm x 1.80 mm

- (1) For all available packages, see the orderable addendum at the end of the data sheet.



Functional Block Diagram



## Table of Contents

<b>1 Features</b> .....	1	7.1 Load Circuit and Voltage Waveforms.....	16
<b>2 Applications</b> .....	1	<b>8 Detailed Description</b> .....	18
<b>3 Description</b> .....	1	8.1 Overview.....	18
<b>4 Revision History</b> .....	2	8.2 Functional Block Diagram.....	18
<b>5 Pin Configuration and Functions</b> .....	3	8.3 Feature Description.....	18
<b>6 Specifications</b> .....	4	8.4 Device Functional Modes.....	19
6.1 Absolute Maximum Ratings.....	4	<b>9 Application and Implementation</b> .....	20
6.2 ESD Ratings.....	4	9.1 Application Information.....	20
6.3 Recommended Operating Conditions.....	5	9.2 Typical Application.....	20
6.4 Thermal Information.....	5	<b>10 Power Supply Recommendations</b> .....	22
6.5 Electrical Characteristics.....	6	<b>11 Layout</b> .....	22
6.6 Switching Characteristics, $V_{CCA} = 0.7 \pm 0.05$ V.....	7	11.1 Layout Guidelines.....	22
6.7 Switching Characteristics, $V_{CCA} = 0.8 \pm 0.04$ V.....	7	11.2 Layout Example.....	22
6.8 Switching Characteristics, $V_{CCA} = 0.9 \pm 0.045$ V.....	8	<b>12 Device and Documentation Support</b> .....	23
6.9 Switching Characteristics, $V_{CCA} = 1.2 \pm 0.1$ V.....	9	12.1 Related Documentation.....	23
6.10 Switching Characteristics, $V_{CCA} = 1.5 \pm 0.1$ V.....	9	12.2 Receiving Notification of Documentation Updates.....	23
6.11 Switching Characteristics, $V_{CCA} = 1.8 \pm 0.15$ V.....	10	12.3 Support Resources.....	23
6.12 Switching Characteristics, $V_{CCA} = 2.5 \pm 0.2$ V.....	11	12.4 Trademarks.....	23
6.13 Switching Characteristics, $V_{CCA} = 3.3 \pm 0.3$ V.....	11	12.5 Electrostatic Discharge Caution.....	23
6.14 Operating Characteristics: $T_A = 25^\circ\text{C}$ .....	13	12.6 Glossary.....	23
6.15 Typical Characteristics.....	15	<b>13 Mechanical, Packaging, and Orderable Information</b> .....	23
<b>7 Parameter Measurement Information</b> .....	16		

## 4 Revision History

Changes from Revision A (July 2020) to Revision B (May 2021)	Page
• Updated the <i>Serial Peripheral Interface (SPI) Application</i> figure in the <i>Typical Application</i> section.....	20

Changes from Revision * (July 2019) to Revision A (July 2020)	Page
• Updated the numbering format for tables, figures and cross-references throughout the document.....	1
• Added BQB (WQFN) package option to <i>Device Information</i> table.....	1

## 5 Pin Configuration and Functions

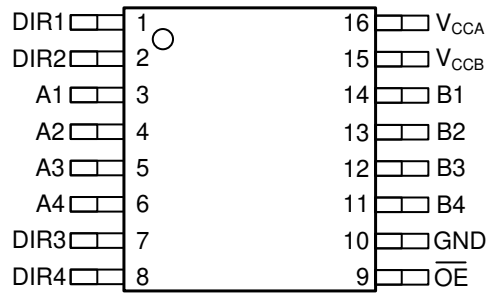


Figure 5-1. PW Package 16-Pin TSSOP Top View

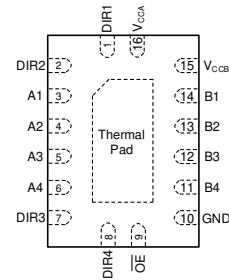


Figure 5-2. BQB Package 16-Pin WQFN Transparent Top View

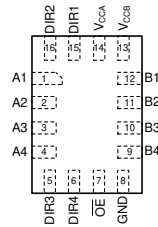


Figure 5-3. RSV Package 16-Pin UQFN Transparent Top View

### Pin Functions

PIN	NO.			TYPE	DESCRIPTION
	NAME	PW	RSV		
A1	3	1	3	I/O	Input/output A1. Referenced to $V_{CCA}$ .
A2	4	2	4	I/O	Input/output A2. Referenced to $V_{CCA}$ .
A3	5	3	5	I/O	Input/output A3. Referenced to $V_{CCA}$ .
A4	6	4	6	I/O	Input/output A4. Referenced to $V_{CCA}$ .
B1	14	12	14	I/O	Input/output B1. Referenced to $V_{CCB}$ .
B2	13	11	13	I/O	Input/output B2. Referenced to $V_{CCB}$ .
B3	12	10	12	I/O	Input/output B3. Referenced to $V_{CCB}$ .
B4	11	9	11	I/O	Input/output B4. Referenced to $V_{CCB}$ .
DIR1	1	15	1	I	Direction-control input for port 1. Referenced to $V_{CCA}$ .
DIR2	2	16	2	I	Direction-control input for port 2. Referenced to $V_{CCA}$ .
DIR3	7	5	7	I	Direction-control input for port 3. Referenced to $V_{CCA}$ .
DIR4	8	6	8	I	Direction-control input for port 4. Referenced to $V_{CCA}$ .
$\overline{OE}$	9	7	9	I	Tri-state output enable. Pull $\overline{OE}$ high to place all outputs in tri-state mode. Referenced to $V_{CCA}$ .
GND	10	8	10	—	Ground
$V_{CCA}$	16	14	16	—	A-port power supply voltage. $0.65\text{ V} \leq V_{CCA} \leq 3.6\text{ V}$
$V_{CCB}$	15	13	15	—	B-port power supply voltage. $0.65\text{ V} \leq V_{CCB} \leq 3.6\text{ V}$

## 6 Specifications

### 6.1 Absolute Maximum Ratings

over operating free-air temperature range (unless otherwise noted)<sup>(1)</sup>

			MIN	MAX	UNIT
V <sub>CCA</sub>	Supply voltage A		-0.5	4.2	V
V <sub>CCB</sub>	Supply voltage B		-0.5	4.2	V
V <sub>I</sub>	Input Voltage <sup>(2)</sup>	I/O Ports (A Port)	-0.5	4.2	V
		I/O Ports (B Port)	-0.5	4.2	
		Control Inputs	-0.5	4.2	
V <sub>O</sub>	Voltage applied to any output in the high-impedance or power-off state <sup>(2)</sup>	A Port	-0.5	4.2	V
		B Port	-0.5	4.2	
V <sub>O</sub>	Voltage applied to any output in the high or low state <sup>(2) (3)</sup>	A Port	-0.5 V <sub>CCA</sub> + 0.2		V
		B Port	-0.5 V <sub>CCB</sub> + 0.2		
I <sub>IK</sub>	Input clamp current	V <sub>I</sub> < 0	-50		mA
I <sub>OK</sub>	Output clamp current	V <sub>O</sub> < 0	-50		mA
I <sub>O</sub>	Continuous output current		-50	50	mA
	Continuous current through V <sub>CC</sub> or GND		-100	100	mA
T <sub>J</sub>	Junction Temperature			150	°C
T <sub>stg</sub>	Storage temperature		-65	150	°C

(1) Stresses beyond those listed under *Absolute Maximum Ratings* may cause permanent damage to the device. These are stress ratings only, which do not imply functional operation of the device at these or any other conditions beyond those indicated under *Recommended Operating Conditions*. Exposure to absolute-maximum-rated conditions for extended periods may affect device reliability.

(2) The input voltage and output negative-voltage ratings may be exceeded if the input and output current ratings are observed.

(3) The output positive-voltage rating may be exceeded up to 4.2 V maximum if the output current rating is observed.

### 6.2 ESD Ratings

			VALUE	UNIT
V <sub>(ESD)</sub>	Electrostatic discharge	Human body model (HBM), per ANSI/ESDA/JEDEC JS-001 <sup>(1)</sup>	±8000	V
		Charged device model (CDM), per JEDEC specification JESD22-C101 <sup>(2)</sup>	±1000	

(1) JEDEC document JEP155 states that 500-V HBM allows safe manufacturing with a standard ESD control process.

(2) JEDEC document JEP157 states that 250-V CDM allows safe manufacturing with a standard ESD control process.

### 6.3 Recommended Operating Conditions

over operating free-air temperature range (unless otherwise noted)<sup>(1)</sup> <sup>(2)</sup>

			MIN	MAX	UNIT
V <sub>CCA</sub>	Supply voltage A		0.65	3.6	V
V <sub>CCB</sub>	Supply voltage B		0.65	3.6	V
V <sub>IH</sub>	High-level input voltage	Data Inputs	V <sub>CCI</sub> = 0.65 V - 0.75 V	V <sub>CCI</sub> × 0.70	V
			V <sub>CCI</sub> = 0.76 V - 1 V	V <sub>CCI</sub> × 0.70	
			V <sub>CCI</sub> = 1.1 V - 1.95 V	V <sub>CCI</sub> × 0.65	
			V <sub>CCI</sub> = 2.3 V - 2.7 V	1.6	
			V <sub>CCI</sub> = 3 V - 3.6 V	2	
		Control Inputs(DIRx, OE), Referenced to V <sub>CCA</sub>	V <sub>CCA</sub> = 0.65 V - 0.75 V	V <sub>CCA</sub> × 0.70	
			V <sub>CCA</sub> = 0.76 V - 1 V	V <sub>CCA</sub> × 0.70	
			V <sub>CCA</sub> = 1.1 V - 1.95 V	V <sub>CCA</sub> × 0.65	
			V <sub>CCA</sub> = 2.3 V - 2.7 V	1.6	
			V <sub>CCA</sub> = 3 V - 3.6 V	2	
V <sub>IL</sub>	Low-level input voltage	Data Inputs	V <sub>CCI</sub> = 0.65 V - 0.75 V	V <sub>CCI</sub> × 0.30	V
			V <sub>CCI</sub> = 0.76 V - 1 V	V <sub>CCI</sub> × 0.30	
			V <sub>CCI</sub> = 1.1 V - 1.95 V	V <sub>CCI</sub> × 0.35	
			V <sub>CCI</sub> = 2.3 V - 2.7 V	0.7	
			V <sub>CCI</sub> = 3 V - 3.6 V	0.8	
		Control Inputs(DIRx, OE), Referenced to V <sub>CCA</sub>	V <sub>CCA</sub> = 0.65 V - 0.75 V	V <sub>CCA</sub> × 0.30	
			V <sub>CCA</sub> = 0.76 V - 1 V	V <sub>CCA</sub> × 0.30	
			V <sub>CCA</sub> = 1.1 V - 1.95 V	V <sub>CCA</sub> × 0.35	
			V <sub>CCA</sub> = 2.3 V - 2.7 V	0.7	
			V <sub>CCA</sub> = 3 V - 3.6 V	0.8	
V <sub>I</sub>	Input voltage <sup>(1)</sup>		0	3.6	V
V <sub>O</sub>	Output voltage	Active State	0	V <sub>CCO</sub>	V
		Tri-State	0	3.6	V
Δt/Δv <sup>(2)</sup>	Input transition rise and fall time			10	ns/V
T <sub>A</sub>	Operating free-air temperature		-40	125	°C

(1) V<sub>CCI</sub> is the V<sub>CC</sub> associated with the input port. V<sub>CCO</sub> is the V<sub>CC</sub> associated with the output port.

(2) All unused inputs of the device must be held at V<sub>CC</sub> or GND to ensure proper device operation. Refer to the TI application report, [Implications of Slow or Floating CMOS Inputs, SCBA004](#).

### 6.4 Thermal Information

THERMAL METRIC <sup>(1)</sup>		SN74AXC4T774			UNIT
		PW (TSSOP)	RSV (UQFN)	BQB (WQFN)	
		16 PINS	16 PINS	16 PINS	
R <sub>θJA</sub>	Junction-to-ambient thermal resistance	118.2	130.8	73.7	°C/W
R <sub>θJC(top)</sub>	Junction-to-case (top) thermal resistance	48.6	69.1	70.9	°C/W
R <sub>θJB</sub>	Junction-to-board thermal resistance	64.5	59.9	43.5	°C/W
Y <sub>JT</sub>	Junction-to-top characterization parameter	7.3	3.9	4.9	°C/W
Y <sub>JB</sub>	Junction-to-board characterization parameter	63.9	58.3	43.5	°C/W
R <sub>θJC(bottom)</sub>	Junction-to-case (bottom) thermal resistance	NA	NA	21.2	°C/W

(1) For more information about traditional and new thermal metrics, see the [Semiconductor and IC Package Thermal Metrics](#) application report.

## 6.5 Electrical Characteristics

over operating free-air temperature range (unless otherwise noted) <sup>(1)</sup> <sup>(2)</sup>

PARAMETER	TEST CONDITIONS	$V_{CCA}$	$V_{CCB}$	Operating free-air temperature ( $T_A$ )						UNIT	
				-40°C to 85°C			-40°C to 125°C				
				MIN	TYP <sup>(4)</sup>	MAX	MIN	TYP <sup>(4)</sup>	MAX		
$V_{OH}$	High-level output voltage	$V_I = V_{IH}$	$I_{OH} = -100 \mu A$	0.7 V - 3.6 V	0.7 V - 3.6 V	$V_{CCO} - 0.1$		$V_{CCO} - 0.1$		V	
				0.65 V	0.65 V	0.55		0.55			
				0.76 V	0.76 V	0.58		0.58			
				0.85 V	0.85 V	0.65		0.65			
				1.1 V	1.1 V	0.85		0.85			
				1.4 V	1.4 V	1.05		1.05			
				1.65 V	1.65 V	1.2		1.2			
				2.3 V	2.3 V	1.75		1.75			
$V_{OL}$	Low-level output voltage	$V_I = V_{IL}$	$I_{OL} = 100 \mu A$	0.7 V - 3.6 V	0.7 V - 3.6 V					V	
				0.65 V	0.65 V			0.1			0.1
				0.76 V	0.76 V			0.18			0.18
				0.85 V	0.85 V			0.2			0.2
				1.1 V	1.1 V			0.25			0.25
				1.4 V	1.4 V			0.35			0.35
				1.65 V	1.65 V			0.45			0.45
				2.3 V	2.3 V			0.55			0.55
$I_I$	Input leakage current	Control inputs (DIRx, $\overline{OE}$ ): $V_I = V_{CCA}$ or GND		0.65 V - 3.6 V	0.65 V - 3.6 V	-0.5	0.5	-1	1	$\mu A$	
		Data Inputs (Ax, Bx), $V_I = V_{CCI}$ or GND		0.65 V - 3.6 V	0.65 V - 3.6 V	-4	4	-8	8	$\mu A$	
$I_{off}$	Partial power down current	A Port: $V_I$ or $V_O = 0 V - 3.6 V$		0 V	0 V - 3.6 V	-4	4	-8	8	$\mu A$	
		B Port: $V_I$ or $V_O = 0 V - 3.6 V$		0 V - 3.6 V	0 V	-4	4	-8	8		
$I_{OZ}$	Tri-state output current <sup>(3)</sup>	A or B Port, $V_I = V_{CCI}$ or GND, $V_O = V_{CCO}$ or GND, $\overline{OE} = V_{IH}$		3.6 V	3.6 V	-4	4	-8	8	$\mu A$	
$I_{CCA}$	$V_{CCA}$ supply current	$V_I = V_{CCI}$ or GND	$I_O = 0$	0.65 V - 3.6 V	0.65 V - 3.6 V			15	27	$\mu A$	
				0 V	3.6 V	-2		-12			
				3.6 V	0 V		10	18			
$I_{CCB}$	$V_{CCB}$ supply current	$V_I = V_{CCI}$ or GND	$I_O = 0$	0.65 V - 3.6 V	0.65 V - 3.6 V			15	27	$\mu A$	
				0 V	3.6 V		10	18			
				3.6 V	0 V	-2		-12			
$I_{CCA} + I_{CCB}$	Combined supply current	$V_I = V_{CCI}$ or GND	$I_O = 0$	0.65 V - 3.6 V	0.65 V - 3.6 V		21		40	$\mu A$	
$C_i$	Control Input Capacitance	$V_I = 3.3 V$ or GND		3.3 V	3.3 V	4.5		4.5		pF	
$C_{io}$	Data I/O Capacitance	$\overline{OE} = V_{CCA}$ , $V_O = 1.65V$ DC +1 MHz -16 dBm sine wave		3.3 V	3.3 V	6.5		6.5		pF	

- (1)  $V_{CCI}$  is the  $V_{CC}$  associated with the input port.
- (2)  $V_{CCO}$  is the  $V_{CC}$  associated with the output port.
- (3) For I/O ports, the parameter  $I_{OZ}$  includes the input leakage current.
- (4) All typical data is taken at 25°C.

## 6.6 Switching Characteristics, $V_{CCA} = 0.7 \pm 0.05 \text{ V}$

See Figure 5 and Table 1 for test circuit and loading. See Figure 6, Figure 7, and Figure 8 for measurement waveforms.

PARAMETER	FROM	TO	Test Conditions	B-Port Supply Voltage ( $V_{CCB}$ )												UNIT					
				0.7 ± 0.05 V		0.8 ± 0.04 V		0.9 ± 0.045 V		1.2 ± 0.1 V		1.5 ± 0.1 V		1.8 ± 0.15 V			2.5 ± 0.2 V		3.3 ± 0.3 V		
				MIN	MAX	MIN	MAX	MIN	MAX	MIN	MAX	MIN	MAX	MIN	MAX		MIN	MAX	MIN	MAX	
$t_{pd}$	Propagation delay	A	B	-40°C to 85°C	0.5	172	0.5	120	0.5	88	0.5	51	0.5	46	0.5	56	0.5	78	0.5	221	ns
				-40°C to 125°C	0.5	172	0.5	120	0.5	88	0.5	51	0.5	46	0.5	56	0.5	78	0.5	221	
	B	A	-40°C to 85°C	0.5	172	0.5	141	0.5	109	0.5	51	0.5	16	0.5	12	0.5	9	0.5	9		
			-40°C to 125°C	0.5	172	0.5	141	0.5	109	0.5	51	0.5	16	0.5	12	0.5	9	0.5	9		
$t_{dis}$	Disable time	$\overline{OE}$	A	-40°C to 85°C	0.5	205	0.5	205	0.5	205	0.5	205	0.5	205	0.5	205	0.5	205	0.5	205	ns
				-40°C to 125°C	0.5	205	0.5	205	0.5	205	0.5	205	0.5	205	0.5	205	0.5	205	0.5	205	
		$\overline{OE}$	B	-40°C to 85°C	0.5	189	0.5	161	0.5	145	0.5	102	0.5	99	0.5	102	0.5	113	0.5	176	
				-40°C to 125°C	0.5	189	0.5	161	0.5	145	0.5	102	0.5	99	0.5	102	0.5	113	0.5	176	
$t_{en}$	Enable time	$\overline{OE}$	A	-40°C to 85°C	0.5	287	0.5	287	0.5	287	0.5	287	0.5	287	0.5	287	0.5	287	0.5	287	ns
				-40°C to 125°C	0.5	287	0.5	287	0.5	287	0.5	287	0.5	287	0.5	287	0.5	287	0.5	287	
		$\overline{OE}$	B	-40°C to 85°C	0.5	309	0.5	219	0.5	177	0.5	133	0.5	127	0.5	132	0.5	165	0.5	418	
				-40°C to 125°C	0.5	309	0.5	219	0.5	177	0.5	133	0.5	127	0.5	132	0.5	165	0.5	418	

## 6.7 Switching Characteristics, $V_{CCA} = 0.8 \pm 0.04 \text{ V}$

See Figure 5 and Table 1 for test circuit and loading. See Figure 6, Figure 7, and Figure 8 for measurement waveforms.

PARAMETER	FROM	TO	Test Conditions	B-Port Supply Voltage ( $V_{CCB}$ )												UNIT					
				0.7 ± 0.05 V		0.8 ± 0.04 V		0.9 ± 0.045 V		1.2 ± 0.1 V		1.5 ± 0.1 V		1.8 ± 0.15 V			2.5 ± 0.2 V		3.3 ± 0.3 V		
				MIN	MAX	MIN	MAX	MIN	MAX	MIN	MAX	MIN	MAX	MIN	MAX		MIN	MAX	MIN	MAX	
$t_{pd}$	Propagation delay	A	B	-40°C to 85°C	0.5	141	0.5	96	0.5	73	0.5	39	0.5	29	0.5	28	0.5	29	0.5	40	ns
				-40°C to 125°C	0.5	141	0.5	96	0.5	73	0.5	39	0.5	29	0.5	28	0.5	29	0.5	40	
	B	A	-40°C to 85°C	0.5	120	0.5	96	0.5	76	0.5	39	0.5	16	0.5	11	0.5	9	0.5	9		
			-40°C to 125°C	0.5	120	0.5	96	0.5	76	0.5	39	0.5	16	0.5	12	0.5	9	0.5	9		
$t_{dis}$	Disable time	$\overline{OE}$	A	-40°C to 85°C	0.5	114	0.5	114	0.5	114	0.5	114	0.5	114	0.5	114	0.5	114	0.5	114	ns
				-40°C to 125°C	0.5	114	0.5	114	0.5	114	0.5	114	0.5	114	0.5	114	0.5	114	0.5	114	
		$\overline{OE}$	B	-40°C to 85°C	0.5	156	0.5	131	0.5	116	0.5	71	0.5	67	0.5	68	0.5	70	0.5	84	
				-40°C to 125°C	0.5	156	0.5	131	0.5	116	0.5	71	0.5	67	0.5	68	0.5	70	0.5	84	

See Figure 5 and Table 1 for test circuit and loading. See Figure 6, Figure 7, and Figure 8 for measurement waveforms.

PARAMETER	FROM	TO	Test Conditions	B-Port Supply Voltage ( $V_{CCB}$ )												UNIT					
				0.7 ± 0.05 V		0.8 ± 0.04 V		0.9 ± 0.045 V		1.2 ± 0.1 V		1.5 ± 0.1 V		1.8 ± 0.15 V			2.5 ± 0.2 V		3.3 ± 0.3 V		
				MIN	MAX	MIN	MAX	MIN	MAX	MIN	MAX	MIN	MAX	MIN	MAX		MIN	MAX	MIN	MAX	
$t_{en}$	Enable time	$\overline{OE}$	A	-40°C to 85°C	0.5	161	0.5	161	0.5	161	0.5	161	0.5	161	0.5	161	0.5	161	ns		
				-40°C to 125°C	0.5	161	0.5	161	0.5	161	0.5	161	0.5	161	0.5	161	0.5	161			
		$\overline{OE}$	B	-40°C to 85°C	0.5	258	0.5	174	0.5	137	0.5	90	0.5	73	0.5	71	0.5	77		0.5	106
				-40°C to 125°C	0.5	258	0.5	174	0.5	137	0.5	90	0.5	73	0.5	71	0.5	77		0.5	106

## 6.8 Switching Characteristics, $V_{CCA} = 0.9 \pm 0.045 V$

See Figure 5 and Table 1 for test circuit and loading. See Figure 6, Figure 7, and Figure 8 for measurement waveforms.

PARAMETER	FROM	TO	Test Conditions	B-Port Supply Voltage ( $V_{CCB}$ )												UNIT					
				0.7 ± 0.05 V		0.8 ± 0.04 V		0.9 ± 0.045 V		1.2 ± 0.1 V		1.5 ± 0.1 V		1.8 ± 0.15 V			2.5 ± 0.2 V		3.3 ± 0.3 V		
				MIN	MAX	MIN	MAX	MIN	MAX	MIN	MAX	MIN	MAX	MIN	MAX		MIN	MAX	MIN	MAX	
$t_{pd}$	Propagation delay	A	B	-40°C to 85°C	0.5	109	0.5	76	0.5	60	0.5	33	0.5	23	0.5	21	0.5	21	0.5	24	ns
				-40°C to 125°C	0.5	109	0.5	76	0.5	60	0.5	33	0.5	23	0.5	21	0.5	21	0.5	24	
		B	A	-40°C to 85°C	0.5	88	0.5	73	0.5	60	0.5	33	0.5	16	0.5	11	0.5	9	0.5	9	
				-40°C to 125°C	0.5	88	0.5	73	0.5	60	0.5	33	0.5	16	0.5	12	0.5	9	0.5	9	
$t_{dis}$	Disable time	$\overline{OE}$	A	-40°C to 85°C	0.5	83	0.5	83	0.5	83	0.5	83	0.5	83	0.5	83	0.5	83	0.5	83	ns
				-40°C to 125°C	0.5	83	0.5	83	0.5	83	0.5	83	0.5	83	0.5	83	0.5	83	0.5	83	
		$\overline{OE}$	B	-40°C to 85°C	0.5	138	0.5	112	0.5	97	0.5	51	0.5	46	0.5	46	0.5	46	0.5	54	
				-40°C to 125°C	0.5	138	0.5	112	0.5	97	0.5	51	0.5	46	0.5	46	0.5	46	0.5	54	
$t_{en}$	Enable time	$\overline{OE}$	A	-40°C to 85°C	0.5	94	0.5	94	0.5	94	0.5	94	0.5	94	0.5	94	0.5	94	0.5	94	ns
				-40°C to 125°C	0.5	94	0.5	94	0.5	94	0.5	94	0.5	94	0.5	94	0.5	94	0.5	94	
		$\overline{OE}$	B	-40°C to 85°C	0.5	203	0.5	140	0.5	110	0.5	70	0.5	52	0.5	45	0.5	43	0.5	51	
				-40°C to 125°C	0.5	203	0.5	140	0.5	110	0.5	74	0.5	54	0.5	47	0.5	43	0.5	51	



## 6.9 Switching Characteristics, $V_{CCA} = 1.2 \pm 0.1 \text{ V}$

See [Figure 5](#) and [Table 1](#) for test circuit and loading. See [Figure 6](#), [Figure 7](#), and [Figure 8](#) for measurement waveforms.

PARAMETER	FROM	TO	Test Conditions	B-Port Supply Voltage ( $V_{CCB}$ )																UNIT	
				0.7 ± 0.05 V		0.8 ± 0.04 V		0.9 ± 0.045 V		1.2 ± 0.1 V		1.5 ± 0.1 V		1.8 ± 0.15 V		2.5 ± 0.2 V		3.3 ± 0.3 V			
				MIN	MAX	MIN	MAX	MIN	MAX	MIN	MAX	MIN	MAX	MIN	MAX	MIN	MAX	MIN	MAX		
$t_{pd}$	Propagation delay	A	B	-40°C to 85°C	0.5	50	0.5	39	0.5	33	0.5	20	0.5	14	0.5	12	0.5	10	0.5	12	ns
				-40°C to 125°C	0.5	50	0.5	39	0.5	33	0.5	20	0.5	14	0.5	12	0.5	10	0.5	12	
	B	A	-40°C to 85°C	0.5	51	0.5	39	0.5	33	0.5	20	0.5	15	0.5	11	0.5	8	0.5	7		
			-40°C to 125°C	0.5	51	0.5	39	0.5	33	0.5	20	0.5	15	0.5	12	0.5	8	0.5	7		
$t_{dis}$	Disable time	$\overline{OE}$	A	-40°C to 85°C	0.5	28	0.5	28	0.5	28	0.5	28	0.5	28	0.5	28	0.5	28	0.5	28	ns
				-40°C to 125°C	0.5	29	0.5	29	0.5	29	0.5	29	0.5	29	0.5	29	0.5	29	0.5	29	
		$\overline{OE}$	B	-40°C to 85°C	0.5	123	0.5	95	0.5	78	0.5	33	0.5	26	0.5	25	0.5	23	0.5	26	
				-40°C to 125°C	0.5	124	0.5	95	0.5	79	0.5	34	0.5	27	0.5	26	0.5	24	0.5	26	
$t_{en}$	Enable time	$\overline{OE}$	A	-40°C to 85°C	0.5	39	0.5	39	0.5	39	0.5	39	0.5	39	0.5	39	0.5	39	0.5	39	ns
				-40°C to 125°C	0.5	40	0.5	40	0.5	40	0.5	40	0.5	40	0.5	40	0.5	40	0.5	40	
		$\overline{OE}$	B	-40°C to 85°C	0.5	124	0.5	87	0.5	70	0.5	51	0.5	38	0.5	33	0.5	26	0.5	25	
				-40°C to 125°C	0.5	124	0.5	87	0.5	70	0.5	55	0.5	42	0.5	36	0.5	28	0.5	26	

## 6.10 Switching Characteristics, $V_{CCA} = 1.5 \pm 0.1 \text{ V}$

See [Figure 5](#) and [Table 1](#) for test circuit and loading. See [Figure 6](#), [Figure 7](#), and [Figure 8](#) for measurement waveforms.

PARAMETER	FROM	TO	Test Conditions	B-Port Supply Voltage ( $V_{CCB}$ )																UNIT	
				0.7 ± 0.05 V		0.8 ± 0.04 V		0.9 ± 0.045 V		1.2 ± 0.1 V		1.5 ± 0.1 V		1.8 ± 0.15 V		2.5 ± 0.2 V		3.3 ± 0.3 V			
				MIN	MAX	MIN	MAX	MIN	MAX	MIN	MAX	MIN	MAX	MIN	MAX	MIN	MAX	MIN	MAX		
$t_{pd}$	Propagation delay	A	B	-40°C to 85°C	0.5	16	0.5	16	0.5	16	0.5	15	0.5	11	0.5	10	0.5	8	0.5	10	ns
				-40°C to 125°C	0.5	16	0.5	16	0.5	16	0.5	15	0.5	11	0.5	10	0.5	8	0.5	10	
	B	A	-40°C to 85°C	0.5	47	0.5	29	0.5	23	0.5	14	0.5	11	0.5	9	0.5	7	0.5	6		
			-40°C to 125°C	0.5	47	0.5	29	0.5	23	0.5	14	0.5	11	0.5	9	0.5	7	0.5	6		
$t_{dis}$	Disable time	$\overline{OE}$	A	-40°C to 85°C	0.5	19	0.5	19	0.5	19	0.5	19	0.5	19	0.5	19	0.5	19	0.5	19	ns
				-40°C to 125°C	0.5	20	0.5	20	0.5	20	0.5	20	0.5	20	0.5	20	0.5	20	0.5	20	
		$\overline{OE}$	B	-40°C to 85°C	0.5	120	0.5	91	0.5	74	0.5	29	0.5	22	0.5	20	0.5	20	0.5	20	
				-40°C to 125°C	0.5	120	0.5	92	0.5	75	0.5	30	0.5	23	0.5	22	0.5	19	0.5	20	

See Figure 5 and Table 1 for test circuit and loading. See Figure 6, Figure 7, and Figure 8 for measurement waveforms.

PARAMETER	FROM	TO	Test Conditions	B-Port Supply Voltage ( $V_{CCB}$ )												UNIT					
				0.7 ± 0.05 V		0.8 ± 0.04 V		0.9 ± 0.045 V		1.2 ± 0.1 V		1.5 ± 0.1 V		1.8 ± 0.15 V			2.5 ± 0.2 V		3.3 ± 0.3 V		
				MIN	MAX	MIN	MAX	MIN	MAX	MIN	MAX	MIN	MAX	MIN	MAX		MIN	MAX	MIN	MAX	
$t_{en}$	Enable time	$\overline{OE}$	A	-40°C to 85°C	0.5	24	0.5	24	0.5	24	0.5	24	0.5	24	0.5	24	0.5	24	ns		
				-40°C to 125°C	0.5	25	0.5	25	0.5	25	0.5	25	0.5	25	0.5	25	0.5	25			
		$\overline{OE}$	B	-40°C to 85°C	0.5	28	0.5	29	0.5	33	0.5	41	0.5	31	0.5	27	0.5	22		0.5	19
				-40°C to 125°C	0.5	29	0.5	30	0.5	33	0.5	42	0.5	33	0.5	29	0.5	24		0.5	21

### 6.11 Switching Characteristics, $V_{CCA} = 1.8 \pm 0.15$ V

See Figure 5 and Table 1 for test circuit and loading. See Figure 6, Figure 7, and Figure 8 for measurement waveforms.

PARAMETER	FROM	TO	Test Conditions	B-Port Supply Voltage ( $V_{CCB}$ )												UNIT					
				0.7 ± 0.05 V		0.8 ± 0.04 V		0.9 ± 0.045 V		1.2 ± 0.1 V		1.5 ± 0.1 V		1.8 ± 0.15 V			2.5 ± 0.2 V		3.3 ± 0.3 V		
				MIN	MAX	MIN	MAX	MIN	MAX	MIN	MAX	MIN	MAX	MIN	MAX		MIN	MAX	MIN	MAX	
$t_{pd}$	Propagation delay	A	B	-40°C to 85°C	0.5	12	0.5	11	0.5	11	0.5	11	0.5	9	0.5	8	0.5	7	0.5	7	ns
				-40°C to 125°C	0.5	12	0.5	12	0.5	12	0.5	12	0.5	9	0.5	9	0.5	7	0.5	7	
		B	A	-40°C to 85°C	0.5	56	0.5	28	0.5	21	0.5	12	0.5	10	0.5	8	0.5	6	0.5	5	
				-40°C to 125°C	0.5	56	0.5	28	0.5	21	0.5	12	0.5	10	0.5	9	0.5	7	0.5	6	
$t_{dis}$	Disable time	$\overline{OE}$	A	-40°C to 85°C	0.5	17	0.5	17	0.5	17	0.5	17	0.5	17	0.5	17	0.5	17	0.5	17	ns
				-40°C to 125°C	0.5	18	0.5	18	0.5	18	0.5	18	0.5	18	0.5	18	0.5	18	0.5	18	
		$\overline{OE}$	B	-40°C to 85°C	0.5	117	0.5	90	0.5	73	0.5	28	0.5	21	0.5	19	0.5	16	0.5	18	
				-40°C to 125°C	0.5	119	0.5	90	0.5	74	0.5	29	0.5	22	0.5	20	0.5	17	0.5	18	
$t_{en}$	Enable time	$\overline{OE}$	A	-40°C to 85°C	0.5	19	0.5	19	0.5	19	0.5	19	0.5	19	0.5	19	0.5	19	0.5	19	ns
				-40°C to 125°C	0.5	20	0.5	20	0.5	20	0.5	20	0.5	20	0.5	20	0.5	20	0.5	20	
		$\overline{OE}$	B	-40°C to 85°C	0.5	21	0.5	20	0.5	20	0.5	32	0.5	27	0.5	24	0.5	20	0.5	18	
				-40°C to 125°C	0.5	22	0.5	22	0.5	22	0.5	34	0.5	29	0.5	26	0.5	22	0.5	19	

## 6.12 Switching Characteristics, $V_{CCA} = 2.5 \pm 0.2 \text{ V}$

See Figure 5 and Table 1 for test circuit and loading. See Figure 6, Figure 7, and Figure 8 for measurement waveforms.

PARAMETER	FROM	TO	Test Conditions	B-Port Supply Voltage ( $V_{CCB}$ )														UNIT					
				0.7 ± 0.05 V		0.8 ± 0.04 V		0.9 ± 0.045 V		1.2 ± 0.1 V		1.5 ± 0.1 V		1.8 ± 0.15 V		2.5 ± 0.2 V			3.3 ± 0.3 V				
				MIN	MAX	MIN	MAX	MIN	MAX	MIN	MAX	MIN	MAX	MIN	MAX	MIN	MAX		MIN	MAX			
$t_{pd}$	Propagation delay	A	B	-40°C to 85°C	0.5	10	0.5	10	0.5	9	0.5	8	0.5	7	0.5	6	0.5	6	0.5	6	ns		
				-40°C to 125°C	0.5	10	0.5	10	0.5	9	0.5	8	0.5	7	0.5	7	0.5	6	0.5	6			
	B	A	-40°C to 85°C	0.5	78	0.5	30	0.5	21	0.5	10	0.5	8	0.5	7	0.5	6	0.5	6	0.5		5	
			-40°C to 125°C	0.5	78	0.5	30	0.5	21	0.5	10	0.5	8	0.5	7	0.5	6	0.5	6	0.5		5	
$t_{dis}$	Disable time	$\overline{OE}$	A	-40°C to 85°C	0.5	13	0.5	13	0.5	13	0.5	13	0.5	13	0.5	13	0.5	13	0.5	13	ns		
				-40°C to 125°C	0.5	14	0.5	14	0.5	14	0.5	14	0.5	14	0.5	14	0.5	14	0.5	14			
		$\overline{OE}$	B	-40°C to 85°C	0.5	115	0.5	89	0.5	72	0.5	26	0.5	19	0.5	18	0.5	14	0.5	14		0.5	17
				-40°C to 125°C	0.5	117	0.5	89	0.5	72	0.5	28	0.5	21	0.5	19	0.5	15	0.5	15		0.5	17
$t_{en}$	Enable time	$\overline{OE}$	A	-40°C to 85°C	0.5	14	0.5	14	0.5	14	0.5	14	0.5	14	0.5	14	0.5	14	0.5	14	ns		
				-40°C to 125°C	0.5	16	0.5	16	0.5	16	0.5	16	0.5	16	0.5	16	0.5	16	0.5	16			
		$\overline{OE}$	B	-40°C to 85°C	0.5	15	0.5	14	0.5	13	0.5	14	0.5	15	0.5	16	0.5	15	0.5	15		0.5	15
				-40°C to 125°C	0.5	16	0.5	15	0.5	15	0.5	16	0.5	17	0.5	18	0.5	17	0.5	16		0.5	16

## 6.13 Switching Characteristics, $V_{CCA} = 3.3 \pm 0.3 \text{ V}$

See Figure 5 and Table 1 for test circuit and loading. See Figure 6, Figure 7, and Figure 8 for measurement waveforms.

PARAMETER	FROM	TO	Test Conditions	B-Port Supply Voltage ( $V_{CCB}$ )														UNIT					
				0.7 ± 0.05 V		0.8 ± 0.04 V		0.9 ± 0.045 V		1.2 ± 0.1 V		1.5 ± 0.1 V		1.8 ± 0.15 V		2.5 ± 0.2 V			3.3 ± 0.3 V				
				MIN	MAX	MIN	MAX	MIN	MAX	MIN	MAX	MIN	MAX	MIN	MAX	MIN	MAX		MIN	MAX			
$t_{pd}$	Propagation delay	A	B	-40°C to 85°C	0.5	10	0.5	9	0.5	9	0.5	8	0.5	6	0.5	6	0.5	5	0.5	5	ns		
				-40°C to 125°C	0.5	10	0.5	9	0.5	9	0.5	8	0.5	6	0.5	6	0.5	5	0.5	5			
	B	A	-40°C to 85°C	0.5	221	0.5	40	0.5	24	0.5	12	0.5	10	0.5	7	0.5	6	0.5	6	0.5		5	
			-40°C to 125°C	0.5	221	0.5	40	0.5	24	0.5	12	0.5	10	0.5	7	0.5	6	0.5	6	0.5		5	
$t_{dis}$	Disable time	$\overline{OE}$	A	-40°C to 85°C	0.5	16	0.5	16	0.5	16	0.5	16	0.5	16	0.5	16	0.5	16	0.5	16	ns		
				-40°C to 125°C	0.5	16	0.5	16	0.5	16	0.5	16	0.5	16	0.5	16	0.5	16	0.5	16			
		$\overline{OE}$	B	-40°C to 85°C	0.5	115	0.5	89	0.5	72	0.5	26	0.5	19	0.5	17	0.5	14	0.5	14		0.5	16
				-40°C to 125°C	0.5	117	0.5	89	0.5	72	0.5	27	0.5	20	0.5	18	0.5	14	0.5	14		0.5	16

See [Figure 5](#) and [Table 1](#) for test circuit and loading. See [Figure 6](#), [Figure 7](#), and [Figure 8](#) for measurement waveforms.

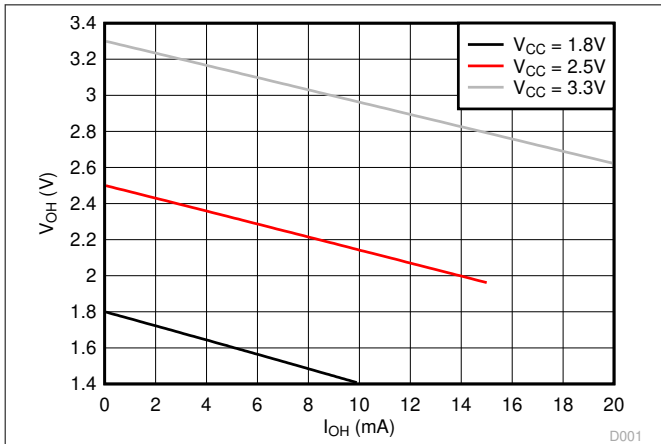
PARAMETER		FROM	TO	Test Conditions	B-Port Supply Voltage (V <sub>CCB</sub> )														UNIT		
					0.7 ± 0.05 V		0.8 ± 0.04 V		0.9 ± 0.045 V		1.2 ± 0.1 V		1.5 ± 0.1 V		1.8 ± 0.15 V		2.5 ± 0.2 V			3.3 ± 0.3 V	
					MIN	MAX	MIN	MAX	MIN	MAX	MIN	MAX	MIN	MAX	MIN	MAX	MIN	MAX		MIN	MAX
t <sub>en</sub>	Enable time	$\overline{OE}$	A	-40°C to 85°C	0.5	12	0.5	12	0.5	12	0.5	12	0.5	12	0.5	12	0.5	12	ns		
				-40°C to 125°C	0.5	13	0.5	13	0.5	13	0.5	13	0.5	13	0.5	13	0.5	13			
		$\overline{OE}$	B	-40°C to 85°C	0.5	13	0.5	12	0.5	11	0.5	11	0.5	11	0.5	12	0.5	12		0.5	12
				-40°C to 125°C	0.5	14	0.5	12	0.5	12	0.5	12	0.5	12	0.5	13	0.5	13		0.5	13

### 6.14 Operating Characteristics: $T_A = 25^\circ\text{C}$

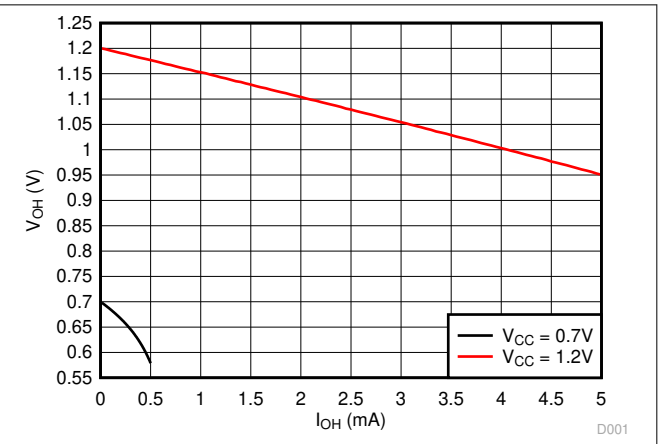
PARAMETER		TEST CONDITIONS	$V_{CCA}$	$V_{CCB}$	MIN	TYP	MAX	UNIT
$C_{pdA}$	Power Dissipation Capacitance per transceiver (A to B: outputs enabled)	$C_L = 0, R_L = \text{Open}$ $f = 1 \text{ MHz}$ $t_{rise} = t_{fall} = 1 \text{ ns}$	0.7 V	0.7 V		2.4		pF
			0.8 V	0.8 V		2.3		
			0.9 V	0.9 V		2.2		
			1.2 V	1.2 V		2.2		
			1.5 V	1.5 V		2.2		
			1.8 V	1.8 V		2.2		
			2.5 V	2.5 V		2.4		
			3.3 V	3.3 V		3.0		
	Power Dissipation Capacitance per transceiver (A to B: outputs disabled)	$C_L = 0, R_L = \text{Open}$ $f = 1 \text{ MHz}$ $t_{rise} = t_{fall} = 1 \text{ ns}$	0.7 V	0.7 V		1.5		pF
			0.8 V	0.8 V		1.5		
			0.9 V	0.9 V		1.5		
			1.2 V	1.2 V		1.5		
			1.5 V	1.5 V		1.5		
			1.8 V	1.8 V		1.5		
			2.5 V	2.5 V		1.6		
			3.3 V	3.3 V		2.0		
	Power Dissipation Capacitance per transceiver (B to A: outputs enabled)	$C_L = 0, R_L = \text{Open}$ $f = 1 \text{ MHz}$ $t_{rise} = t_{fall} = 1 \text{ ns}$	0.7 V	0.7 V		13.4		pF
			0.8 V	0.8 V		15.0		
			0.9 V	0.9 V		14.0		
			1.2 V	1.2 V		20.7		
			1.5 V	1.5 V		29.6		
			1.8 V	1.8 V		40.2		
			2.5 V	2.5 V		65.8		
			3.3 V	3.3 V		91.7		
	Power Dissipation Capacitance per transceiver (B to A: outputs disabled)	$C_L = 0, R_L = \text{Open}$ $f = 1 \text{ MHz}$ $t_{rise} = t_{fall} = 1 \text{ ns}$	0.7 V	0.7 V		1.3		pF
			0.8 V	0.8 V		1.1		
			0.9 V	0.9 V		1.1		
			1.2 V	1.2 V		1.0		
1.5 V			1.5 V		1.0			
1.8 V			1.8 V		1.0			
2.5 V			2.5 V		1.0			
3.3 V			3.3 V		1.0			

PARAMETER		TEST CONDITIONS	V <sub>CCA</sub>	V <sub>CCB</sub>	MIN	TYP	MAX	UNIT
C <sub>pdB</sub>	Power Dissipation Capacitance per transceiver (A to B: outputs enabled)	C <sub>L</sub> = 0, R <sub>L</sub> = Open f = 1 MHz t <sub>rise</sub> = t <sub>fall</sub> = 1 ns	0.7 V	0.7 V		13.4		pF
			0.8 V	0.8 V		13.8		
			0.9 V	0.9 V		14.9		
			1.2 V	1.2 V		20.6		
			1.5 V	1.5 V		29.6		
			1.8 V	1.8 V		40.3		
			2.5 V	2.5 V		66.2		
			3.3 V	3.3 V		92.5		
	Power Dissipation Capacitance per transceiver (A to B: outputs disabled)	C <sub>L</sub> = 0, R <sub>L</sub> = Open f = 1 MHz t <sub>rise</sub> = t <sub>fall</sub> = 1 ns	0.7 V	0.7 V		1.3		pF
			0.8 V	0.8 V		1.2		
			0.9 V	0.9 V		1.1		
			1.2 V	1.2 V		1.1		
			1.5 V	1.5 V		1.1		
			1.8 V	1.8 V		1.1		
			2.5 V	2.5 V		1.1		
			3.3 V	3.3 V		1.1		
	Power Dissipation Capacitance per transceiver (B to A: outputs enabled)	C <sub>L</sub> = 0, R <sub>L</sub> = Open f = 1 MHz t <sub>rise</sub> = t <sub>fall</sub> = 1 ns	0.7 V	0.7 V		2.5		pF
			0.8 V	0.8 V		2.4		
			0.9 V	0.9 V		2.3		
			1.2 V	1.2 V		2.2		
			1.5 V	1.5 V		2.3		
			1.8 V	1.8 V		2.3		
			2.5 V	2.5 V		2.5		
			3.3 V	3.3 V		3.0		
	Power Dissipation Capacitance per transceiver (B to A: outputs disabled)	C <sub>L</sub> = 0, R <sub>L</sub> = Open f = 1 MHz t <sub>rise</sub> = t <sub>fall</sub> = 1 ns	0.7 V	0.7 V		1.6		pF
			0.8 V	0.8 V		1.5		
			0.9 V	0.9 V		1.5		
			1.2 V	1.2 V		1.5		
1.5 V			1.5 V		1.5			
1.8 V			1.8 V		1.5			
2.5 V			2.5 V		1.6			
3.3 V			3.3 V		2.0			

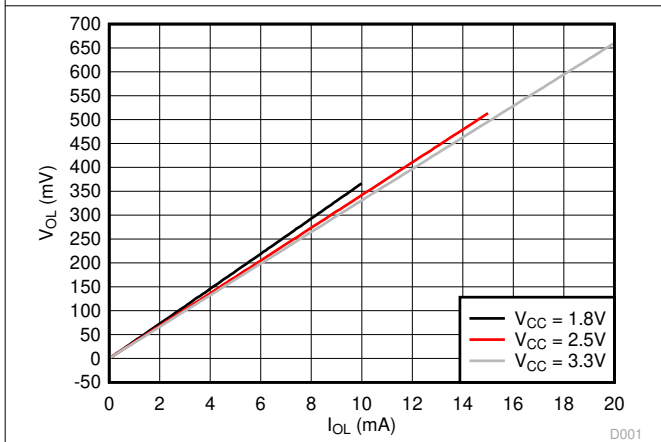
## 6.15 Typical Characteristics



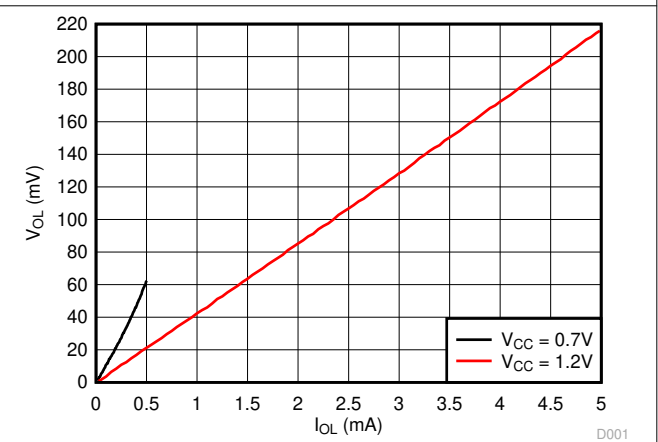
**Figure 6-1. Typical ( $T_A=25^\circ\text{C}$ ) Output High Voltage ( $V_{OH}$ ) vs Source Current ( $I_{OH}$ )**



**Figure 6-2. Typical ( $T_A=25^\circ\text{C}$ ) Output High Voltage ( $V_{OH}$ ) vs Source Current ( $I_{OH}$ )**



**Figure 6-3. Typical ( $T_A=25^\circ\text{C}$ ) Output Low Voltage ( $V_{OL}$ ) vs Sink Current ( $I_{OL}$ )**



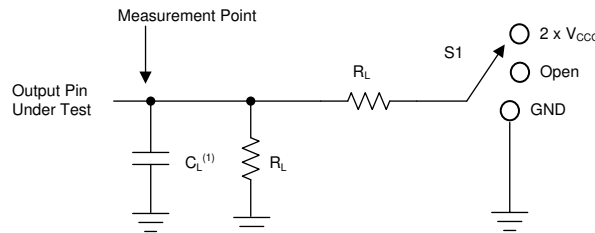
**Figure 6-4. Typical ( $T_A=25^\circ\text{C}$ ) Output Low Voltage ( $V_{OL}$ ) vs Sink Current ( $I_{OL}$ )**

## 7 Parameter Measurement Information

### 7.1 Load Circuit and Voltage Waveforms

Unless otherwise noted, all input pulses are supplied by generators having the following characteristics:

- $f = 1 \text{ MHz}$
- $Z_O = 50 \Omega$
- $dv/dt \leq 1 \text{ ns/V}$

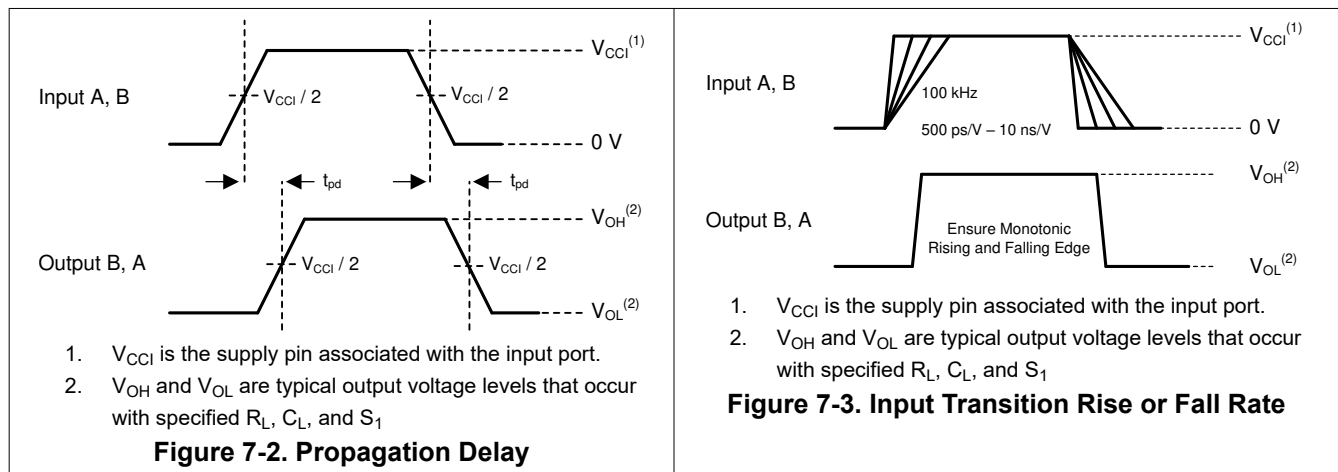


A.  $C_L$  includes probe and jig capacitance.

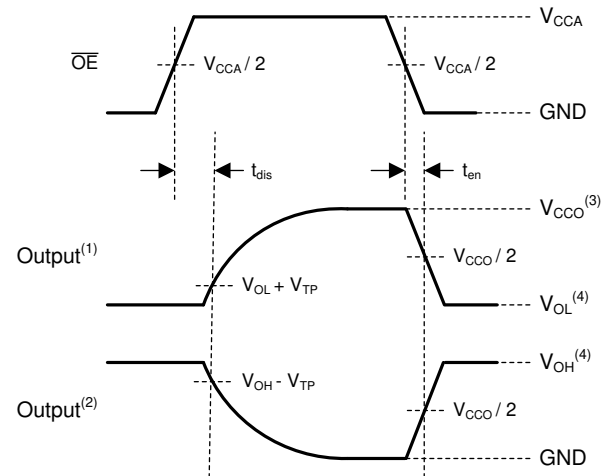
**Figure 7-1. Load Circuit**

**Table 7-1. Load Circuit Conditions**

Parameter	$V_{CCO}$	$R_L$	$C_L$	$S_1$	$V_{TP}$
$\Delta t/\Delta v$ Input transition rise or fall rate	0.65 V – 3.6 V	1 M $\Omega$	15 pF	Open	N/A
$t_{pd}$ Propagation (delay) time	1.1 V – 3.6 V	2 k $\Omega$	15 pF	Open	N/A
	0.65 V – 0.95 V	20 k $\Omega$	15 pF	Open	N/A
$t_{en}, t_{dis}$ Enable time, disable time	3 V – 3.6 V	2 k $\Omega$	15 pF	$2 \times V_{CCO}$	0.3 V
	1.65 V – 2.7 V	2 k $\Omega$	15 pF	$2 \times V_{CCO}$	0.15 V
	1.1 V – 1.6 V	2 k $\Omega$	15 pF	$2 \times V_{CCO}$	0.1 V
	0.65 V – 0.95 V	20 k $\Omega$	15 pF	$2 \times V_{CCO}$	0.1 V
$t_{en}, t_{dis}$ Enable time, disable time	3 V – 3.6 V	2 k $\Omega$	15 pF	GND	0.3 V
	1.65 V – 2.7 V	2 k $\Omega$	15 pF	GND	0.15 V
	1.1 V – 1.6 V	2 k $\Omega$	15 pF	GND	0.1 V
	0.65 V – 0.95 V	20 k $\Omega$	15 pF	GND	0.1 V







- A. Output waveform on the condition that input is driven to a valid Logic Low.
- B. Output waveform on the condition that input is driven to a valid Logic High.
- C.  $V_{CCO}$  is the supply pin associated with the output port.
- D.  $V_{OH}$  and  $V_{OL}$  are typical output voltage levels with specified  $R_L$ ,  $C_L$ , and  $S_1$ .

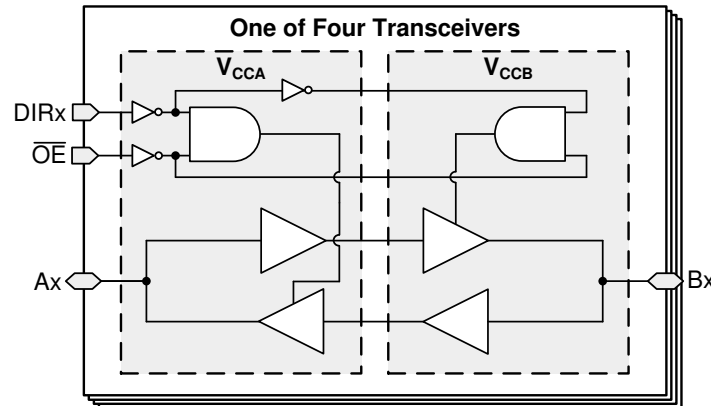
**Figure 7-4. Enable Time And Disable Time**

## 8 Detailed Description

### 8.1 Overview

The SN74AXC4T774 is a 4-bit, dual-supply noninverting bidirectional voltage level translation device. Ax pins and control pins (DIRx and  $\overline{\text{OE}}$ ) are reference to  $V_{\text{CCA}}$  logic levels, and Bx pins are referenced to  $V_{\text{CCB}}$  logic levels. The A port is able to accept I/O voltages ranging from 0.65 V to 3.6 V, while the B port can accept I/O voltages from 0.65 V to 3.6 V. A high on DIR allows data transmission from A to B and a low on DIR allows data transmission from B to A when  $\overline{\text{OE}}$  is set to low. When  $\overline{\text{OE}}$  is set to high, both Ax and Bx pins are in the high-impedance state. See [Device Functional Modes](#) for a summary of the operation of the control logic.

### 8.2 Functional Block Diagram



### 8.3 Feature Description

#### 8.3.1 Standard CMOS Inputs

Standard CMOS inputs are high impedance and are typically modeled as a resistor in parallel with the input capacitance given in the [Electrical Characteristics](#). The worst case resistance is calculated with the maximum input voltage, given in the [Absolute Maximum Ratings](#), and the maximum input leakage current, given in the [Electrical Characteristics](#), using ohm's law ( $R = V \div I$ ).

Signals applied to the inputs need to have fast edge rates, as defined by  $\Delta t/\Delta v$  in [Recommended Operating Conditions](#) to avoid excessive current consumption and oscillations. If a slow or noisy input signal is required, a device with a Schmitt-trigger input should be used to condition the input signal prior to the standard CMOS input.

#### 8.3.2 Balanced High-Drive CMOS Push-Pull Outputs

A balanced output allows the device to sink and source similar currents. The high drive capability of this device creates fast edges into light loads so routing and load conditions should be considered to prevent ringing. Additionally, the outputs of this device are capable of driving larger currents than the device can sustain without being damaged. The electrical and thermal limits defined in the [Absolute Maximum Ratings](#) must be followed at all times.

#### 8.3.3 Partial Power Down ( $I_{\text{off}}$ )

The inputs and outputs for this device enter a high-impedance state when the device is powered down, inhibiting current backflow into the device. The maximum leakage into or out of any input or output pin on the device is specified by  $I_{\text{off}}$  in the [Electrical Characteristics](#).

#### 8.3.4 $V_{\text{CC}}$ Isolation

The inputs and outputs for this device enter a high-impedance state when either supply is  $<100\text{mV}$ .

#### 8.3.5 Over-voltage Tolerant Inputs

Input signals to this device can be driven above the supply voltage so long as they remain below the maximum input voltage value specified in the [Recommended Operating Conditions](#).

### 8.3.6 Glitch-free Power Supply Sequencing

Either supply rail may be powered on or off in any order without producing a glitch on the I/Os (that is, where the output erroneously transitions to VCC when it should be held low). Glitches of this nature can be misinterpreted by a peripheral as a valid data bit, which could trigger a false device reset of the peripheral, a false device configuration of the peripheral, or even a false data initialization by the peripheral. For more information regarding the power up glitch performance of the AXC family of level translators, see the [Glitch Free Power Sequencing With AXC Level Translators](#) application report

### 8.3.7 Negative Clamping Diodes

The inputs and outputs to this device have negative clamping diodes as depicted in [Figure 8-1](#).

**CAUTION**

Voltages beyond the values specified in the [Absolute Maximum Ratings](#) table can cause damage to the device. The input negative-voltage and output voltage ratings may be exceeded if the input and output clamp-current ratings are observed.

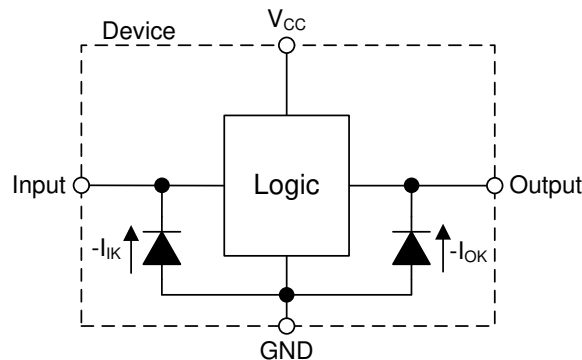


Figure 8-1. Electrical Placement of Clamping Diodes for Each Input and Output

### 8.3.8 Fully Configurable Dual-Rail Design

Both the V<sub>CCA</sub> and V<sub>CCB</sub> pins can be supplied at any voltage from 0.65 V to 3.6 V, making the device suitable for translating between any of the voltage nodes (0.7 V, 0.8 V, 0.9 V, 1.2 V, 1.8 V, 2.5 V and 3.3 V).

### 8.3.9 Supports High-Speed Translation

The SN74AXC4T774 device can support high data-rate applications. The translated signal data rate can be up to 310 Mbps when the signal is translated from 1.8 V to 3.3 V.

## 8.4 Device Functional Modes

Table 8-1. Function Table  
(Each Transceiver)

CONTROL INPUTS <sup>(1) (2)</sup>		Port Status		OPERATION
OE	DIR	A PORT	B PORT	
L	L	Output (Enabled)	Input (Hi-Z)	B data to A bus
L	H	Input (Hi-Z)	Output (Enabled)	A data to B bus
H	X	Input (Hi-Z)	Input (Hi-Z)	Isolation

(1) Input circuits of the data I/Os are always active.

(2) Pins configured as inputs should not be left floating.

## 9 Application and Implementation

### Note

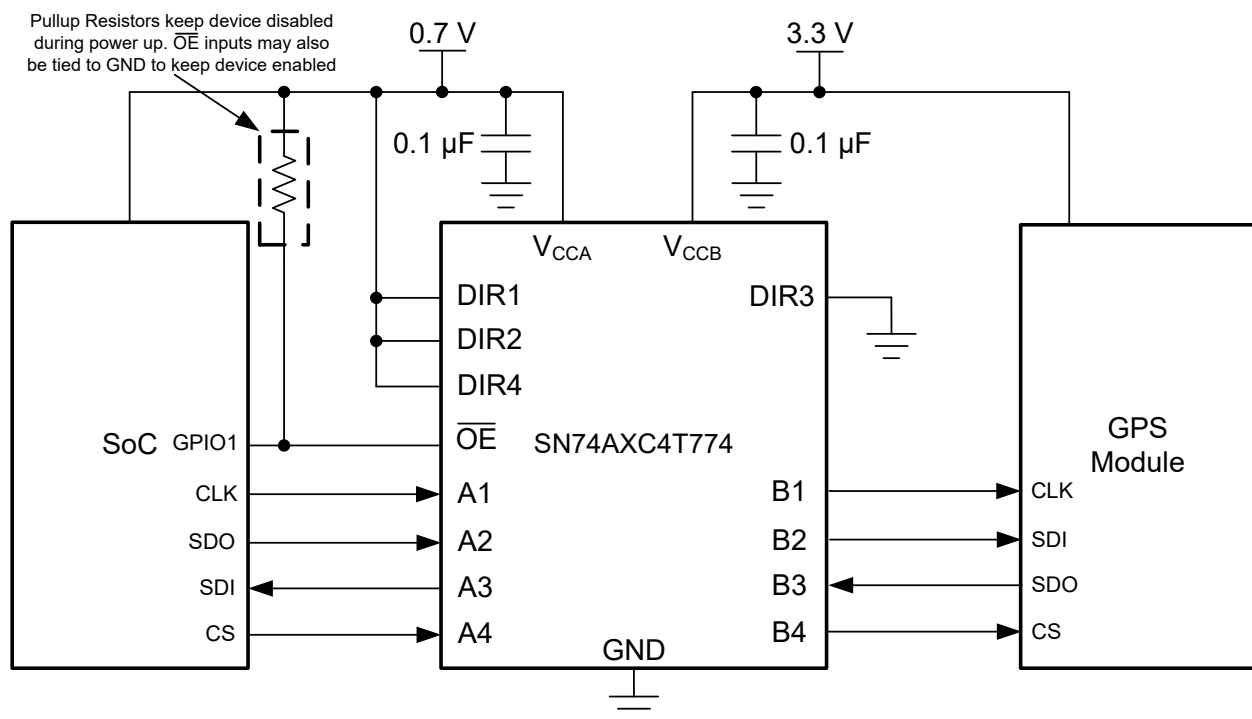
Information in the following applications sections is not part of the TI component specification, and TI does not warrant its accuracy or completeness. TI's customers are responsible for determining suitability of components for their purposes. Customers should validate and test their design implementation to confirm system functionality.

### 9.1 Application Information

The SN74AXC4T774 device can be used in level-translation applications for interfacing devices or systems operating at different interface voltages with one another. The SN74AXC4T774 device is ideal for use in applications where a push-pull driver is connected to the data I/Os. The max data rate can be up to 310 Mbps when device translates a signal from 1.8 V to 3.3 V.

One example application is shown in [Figure 9-1](#), where the SN74AXC4T774 device is used to translate a low voltage SPI signal from an SoC to a higher voltage signal to properly drive the inputs of a GPS module, and vice versa.

### 9.2 Typical Application



**Figure 9-1. Serial Peripheral Interface (SPI) Application**

#### 9.2.1 Design Requirements

For this design example, use the parameters listed in [Table 9-1](#).

**Table 9-1. Design Parameters**

DESIGN PARAMETERS	EXAMPLE VALUES
Input voltage range	0.65 V to 3.6 V
Output voltage range	0.65 V to 3.6 V

### 9.2.2 Detailed Design Procedure

To begin the design process, determine the following:

- Input voltage range
  - Use the supply voltage of the device that is driving the SN74AXC4T774 device to determine the input voltage range. For a valid logic-high, the value must exceed the high-level input voltage ( $V_{IH}$ ) of the input port. For a valid logic low the value must be less than the low-level input voltage ( $V_{IL}$ ) of the input port.
- Output voltage range
  - Use the supply voltage of the device that the SN74AXC4T774 device is driving to determine the output voltage range.

### 9.2.3 Application Curve

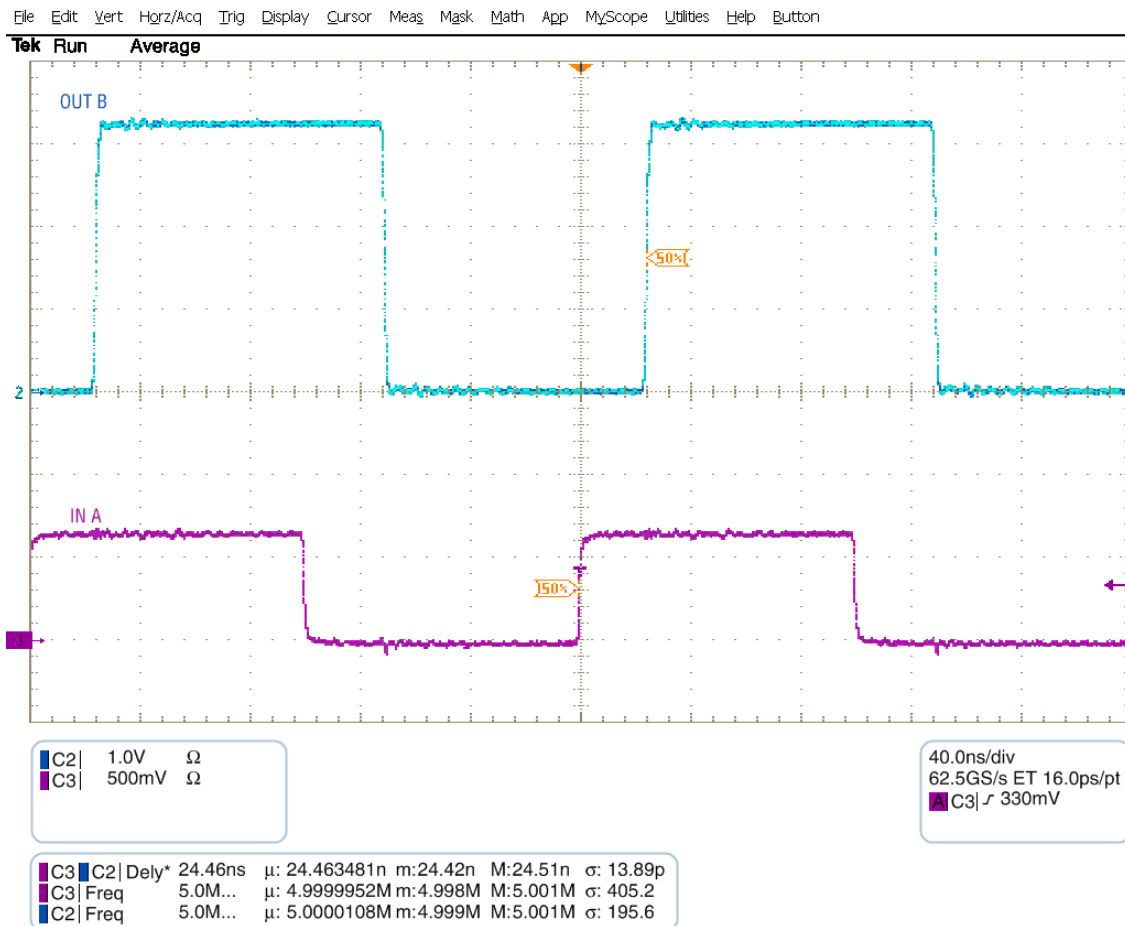


Figure 9-2. Up Translation at 2.5 MHz (0.7 V to 3.3 V)

## 10 Power Supply Recommendations

Always apply a ground reference to the GND pins first. This device is designed for glitch free power sequencing without any supply sequencing requirements such as ramp order or ramp rate.

This device was designed with various power supply sequencing methods in mind to help prevent unintended triggering of downstream devices. For more information regarding the power up glitch performance of the AXC family of level translators, see the [Glitch Free Power Sequencing With AXC Level Translators](#) application report

## 11 Layout

### 11.1 Layout Guidelines

To ensure reliability of the device, following common printed-circuit board layout guidelines are recommended:

- Use bypass capacitors on the power supply pins and place them as close to the device as possible. A 0.1  $\mu\text{F}$  capacitor is recommended, but transient performance can be improved by having both 1  $\mu\text{F}$  and 0.1  $\mu\text{F}$  capacitors in parallel as bypass capacitors.
- The high drive capability of this device creates fast edges into light loads so routing and load conditions should be considered to prevent ringing.

### 11.2 Layout Example

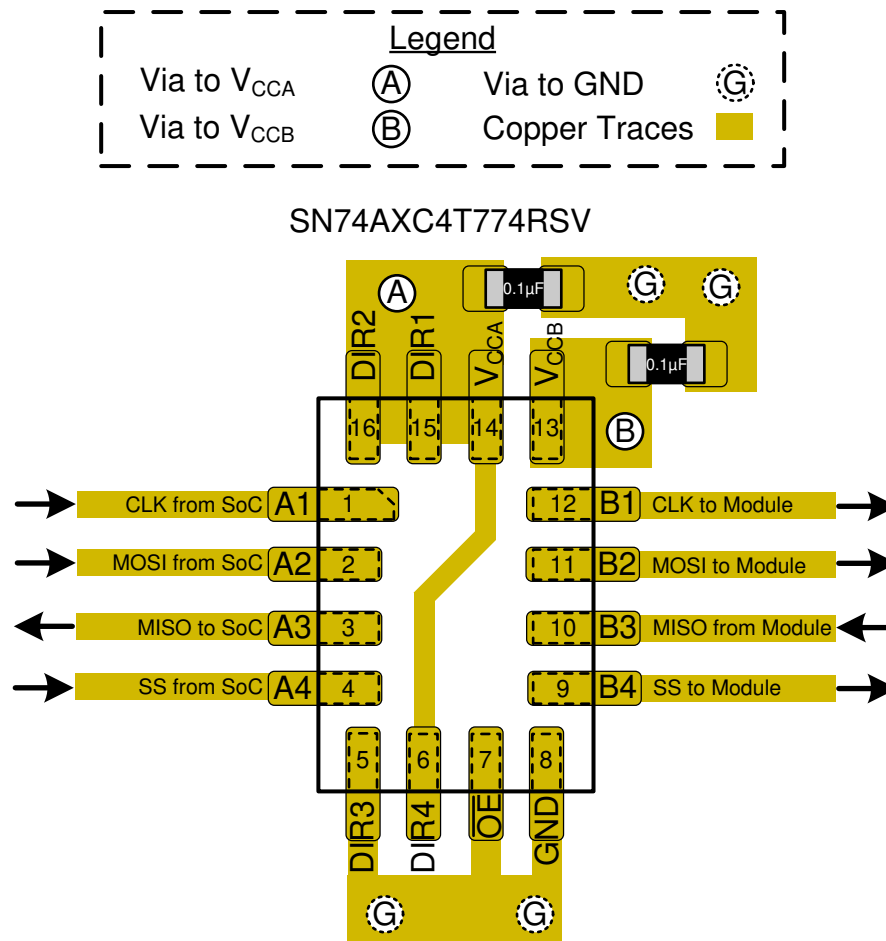


Figure 11-1. Layout Example

## 12 Device and Documentation Support

### 12.1 Related Documentation

For related documentation see the following:

Texas Instruments, [Implications of Slow or Floating CMOS Inputs](#) application report

Texas Instruments, [Power Sequencing for AXC Family of Devices](#) application report

Texas Instruments, [SN74AXC4T774 Evaluation Module Tool Folder](#)

### 12.2 Receiving Notification of Documentation Updates

To receive notification of documentation updates, navigate to the device product folder on [ti.com](#). Click on [Subscribe to updates](#) to register and receive a weekly digest of any product information that has changed. For change details, review the revision history included in any revised document.

### 12.3 Support Resources

[TI E2E™ support forums](#) are an engineer's go-to source for fast, verified answers and design help — straight from the experts. Search existing answers or ask your own question to get the quick design help you need.

Linked content is provided "AS IS" by the respective contributors. They do not constitute TI specifications and do not necessarily reflect TI's views; see TI's [Terms of Use](#).

### 12.4 Trademarks

TI E2E™ is a trademark of Texas Instruments.

All trademarks are the property of their respective owners.

### 12.5 Electrostatic Discharge Caution



This integrated circuit can be damaged by ESD. Texas Instruments recommends that all integrated circuits be handled with appropriate precautions. Failure to observe proper handling and installation procedures can cause damage.

ESD damage can range from subtle performance degradation to complete device failure. Precision integrated circuits may be more susceptible to damage because very small parametric changes could cause the device not to meet its published specifications.

### 12.6 Glossary

[TI Glossary](#) This glossary lists and explains terms, acronyms, and definitions.

## 13 Mechanical, Packaging, and Orderable Information

The following pages include mechanical, packaging, and orderable information. This information is the most current data available for the designated devices. This data is subject to change without notice and revision of this document. For browser-based versions of this data sheet, refer to the left-hand navigation.

## PACKAGING INFORMATION

Orderable Device	Status (1)	Package Type	Package Drawing	Pins	Package Qty	Eco Plan (2)	Lead finish/ Ball material (6)	MSL Peak Temp (3)	Op Temp (°C)	Device Marking (4/5)	Samples
SN74AXC4T774BQBR	ACTIVE	WQFN	BQB	16	3000	RoHS & Green	NIPDAU	Level-1-260C-UNLIM	-40 to 125	4T774	<a href="#">Samples</a>
SN74AXC4T774PWR	ACTIVE	TSSOP	PW	16	2000	RoHS & Green	NIPDAU	Level-1-260C-UNLIM	-40 to 125	SN4T774	<a href="#">Samples</a>
SN74AXC4T774RSVR	ACTIVE	UQFN	RSV	16	3000	RoHS & Green	NIPDAUAG	Level-1-260C-UNLIM	-40 to 125	1UXR	<a href="#">Samples</a>

(1) The marketing status values are defined as follows:

**ACTIVE:** Product device recommended for new designs.

**LIFEBUY:** TI has announced that the device will be discontinued, and a lifetime-buy period is in effect.

**NRND:** Not recommended for new designs. Device is in production to support existing customers, but TI does not recommend using this part in a new design.

**PREVIEW:** Device has been announced but is not in production. Samples may or may not be available.

**OBSOLETE:** TI has discontinued the production of the device.

(2) **RoHS:** TI defines "RoHS" to mean semiconductor products that are compliant with the current EU RoHS requirements for all 10 RoHS substances, including the requirement that RoHS substance do not exceed 0.1% by weight in homogeneous materials. Where designed to be soldered at high temperatures, "RoHS" products are suitable for use in specified lead-free processes. TI may reference these types of products as "Pb-Free".

**RoHS Exempt:** TI defines "RoHS Exempt" to mean products that contain lead but are compliant with EU RoHS pursuant to a specific EU RoHS exemption.

**Green:** TI defines "Green" to mean the content of Chlorine (Cl) and Bromine (Br) based flame retardants meet JS709B low halogen requirements of <=1000ppm threshold. Antimony trioxide based flame retardants must also meet the <=1000ppm threshold requirement.

(3) MSL, Peak Temp. - The Moisture Sensitivity Level rating according to the JEDEC industry standard classifications, and peak solder temperature.

(4) There may be additional marking, which relates to the logo, the lot trace code information, or the environmental category on the device.

(5) Multiple Device Markings will be inside parentheses. Only one Device Marking contained in parentheses and separated by a "~" will appear on a device. If a line is indented then it is a continuation of the previous line and the two combined represent the entire Device Marking for that device.

(6) Lead finish/Ball material - Orderable Devices may have multiple material finish options. Finish options are separated by a vertical ruled line. Lead finish/Ball material values may wrap to two lines if the finish value exceeds the maximum column width.

**Important Information and Disclaimer:** The information provided on this page represents TI's knowledge and belief as of the date that it is provided. TI bases its knowledge and belief on information provided by third parties, and makes no representation or warranty as to the accuracy of such information. Efforts are underway to better integrate information from third parties. TI has taken and continues to take reasonable steps to provide representative and accurate information but may not have conducted destructive testing or chemical analysis on incoming materials and chemicals. TI and TI suppliers consider certain information to be proprietary, and thus CAS numbers and other limited information may not be available for release.



In no event shall TI's liability arising out of such information exceed the total purchase price of the TI part(s) at issue in this document sold by TI to Customer on an annual basis.

**OTHER QUALIFIED VERSIONS OF SN74AXC4T774 :**

- Automotive : [SN74AXC4T774-Q1](#)

NOTE: Qualified Version Definitions:

- Automotive - Q100 devices qualified for high-reliability automotive applications targeting zero defects

**TAPE AND REEL INFORMATION**

**QUADRANT ASSIGNMENTS FOR PIN 1 ORIENTATION IN TAPE**

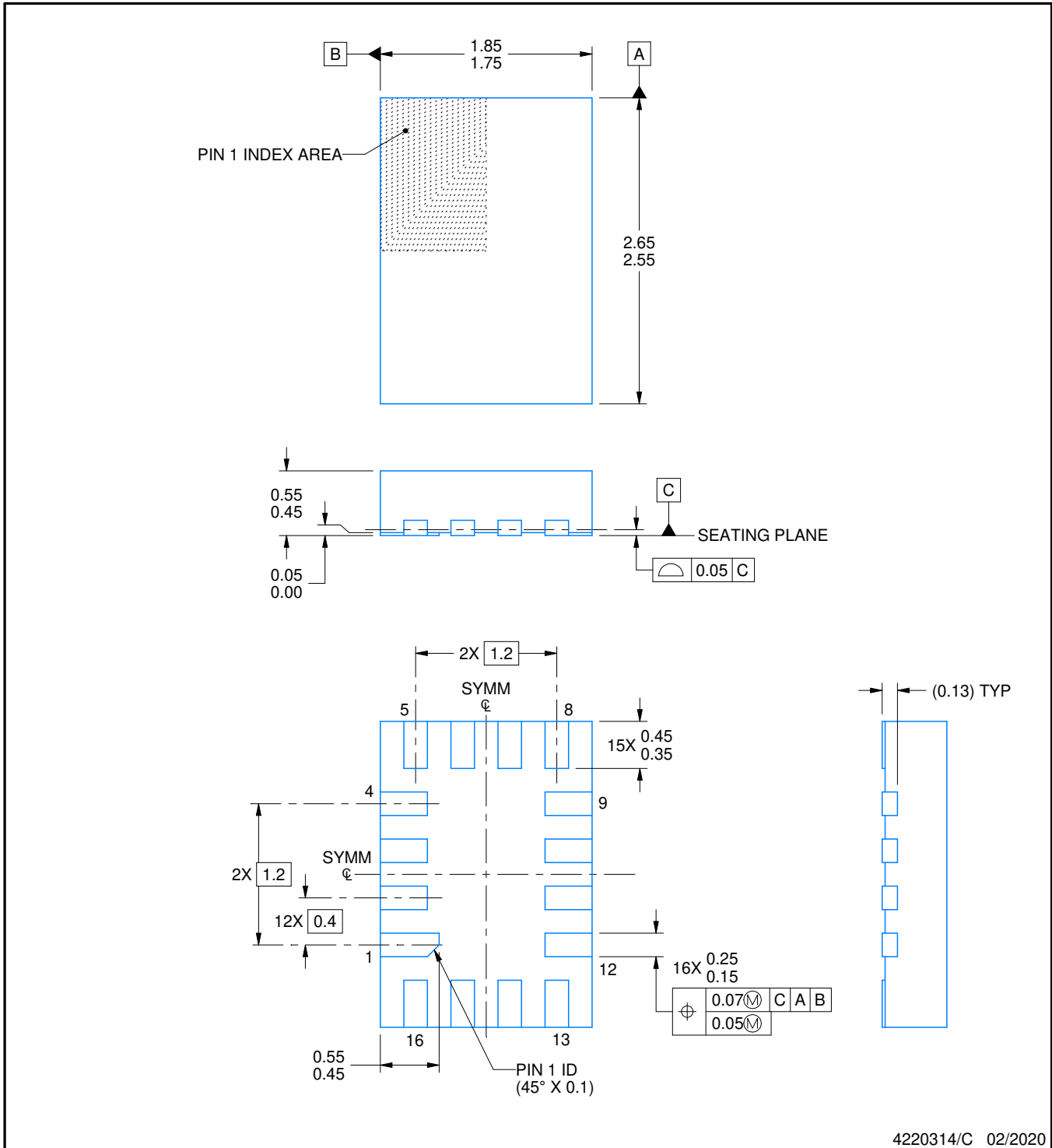
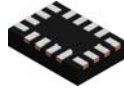

\*All dimensions are nominal

Device	Package Type	Package Drawing	Pins	SPQ	Reel Diameter (mm)	Reel Width W1 (mm)	A0 (mm)	B0 (mm)	K0 (mm)	P1 (mm)	W (mm)	Pin1 Quadrant
SN74AXC4T774BQBR	WQFN	BQB	16	3000	180.0	12.4	2.8	3.8	1.2	4.0	12.0	Q1
SN74AXC4T774PWR	TSSOP	PW	16	2000	330.0	12.4	6.9	5.6	1.6	8.0	12.0	Q1
SN74AXC4T774RSVR	UQFN	RSV	16	3000	178.0	13.5	2.1	2.9	0.75	4.0	12.0	Q1

**TAPE AND REEL BOX DIMENSIONS**


\*All dimensions are nominal

Device	Package Type	Package Drawing	Pins	SPQ	Length (mm)	Width (mm)	Height (mm)
SN74AXC4T774BQBR	WQFN	BQB	16	3000	210.0	185.0	35.0
SN74AXC4T774PWR	TSSOP	PW	16	2000	356.0	356.0	35.0
SN74AXC4T774RSVR	UQFN	RSV	16	3000	189.0	185.0	36.0



NOTES:

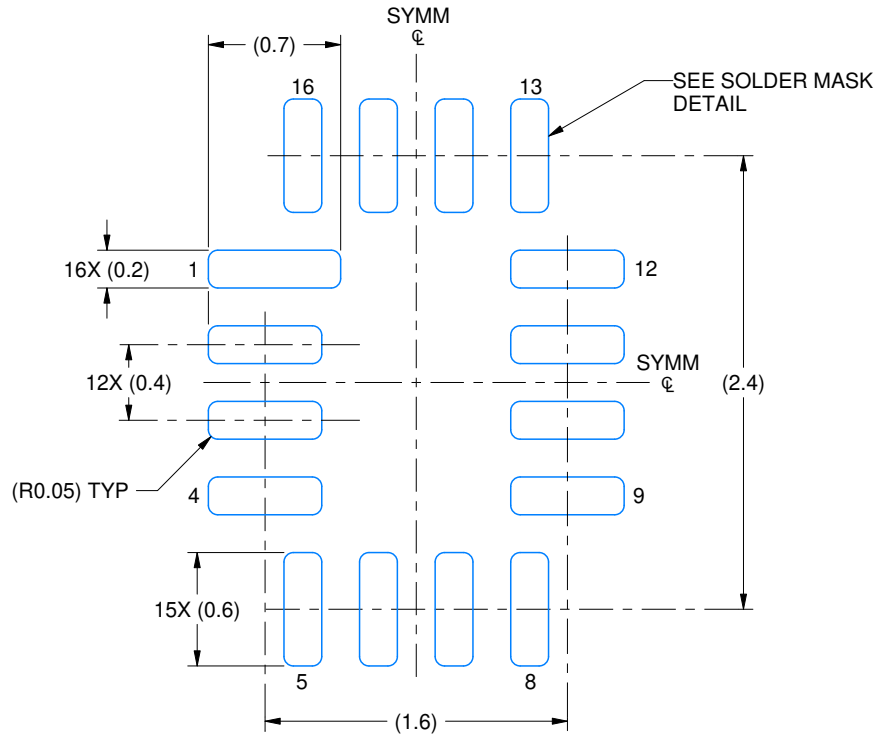
1. All linear dimensions are in millimeters. Any dimensions in parenthesis are for reference only. Dimensioning and tolerancing per ASME Y14.5M.
2. This drawing is subject to change without notice.

# EXAMPLE BOARD LAYOUT

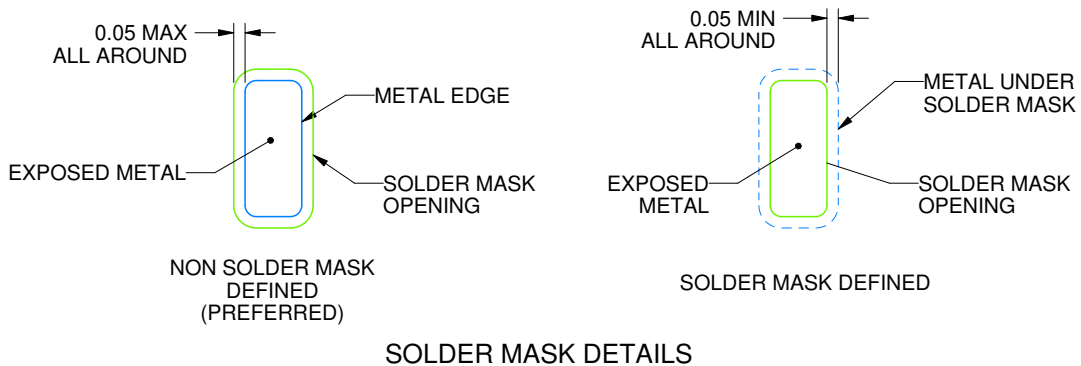
RSV0016A

UQFN - 0.55 mm max height

ULTRA THIN QUAD FLATPACK - NO LEAD



LAND PATTERN EXAMPLE  
EXPOSED METAL SHOWN  
SCALE: 25X



4220314/C 02/2020

NOTES: (continued)

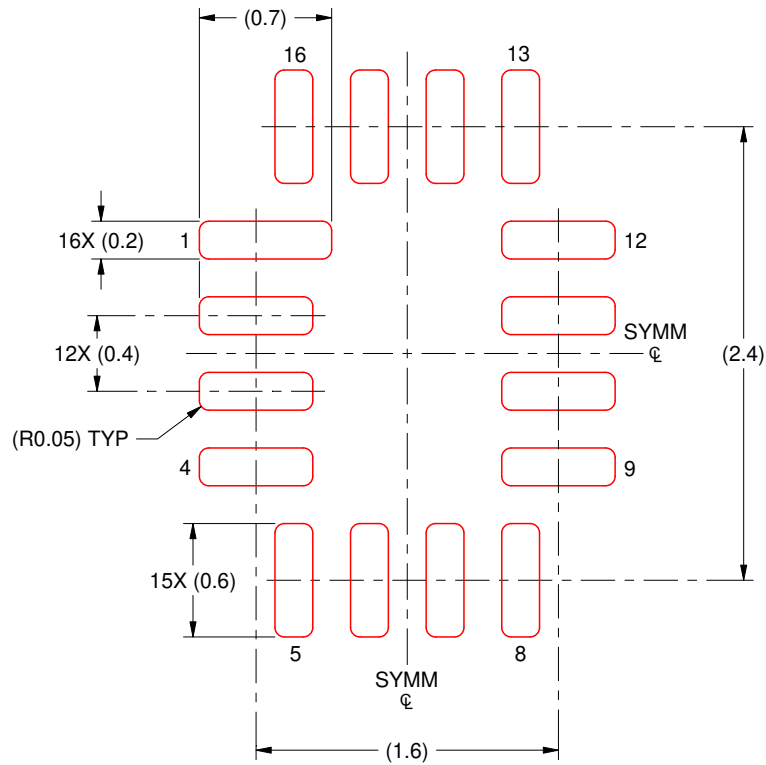
3. For more information, see Texas Instruments literature number SLUA271 ([www.ti.com/lit/slua271](http://www.ti.com/lit/slua271)).

# EXAMPLE STENCIL DESIGN

RSV0016A

UQFN - 0.55 mm max height

ULTRA THIN QUAD FLATPACK - NO LEAD



SOLDER PASTE EXAMPLE  
BASED ON 0.125 MM THICK STENCIL  
SCALE: 25X

4220314/C 02/2020

NOTES: (continued)

4. Laser cutting apertures with trapezoidal walls and rounded corners may offer better paste release. IPC-7525 may have alternate design recommendations.



4220204/A 02/2017

NOTES:

1. All linear dimensions are in millimeters. Any dimensions in parenthesis are for reference only. Dimensioning and tolerancing per ASME Y14.5M.
2. This drawing is subject to change without notice.
3. This dimension does not include mold flash, protrusions, or gate burrs. Mold flash, protrusions, or gate burrs shall not exceed 0.15 mm per side.
4. This dimension does not include interlead flash. Interlead flash shall not exceed 0.25 mm per side.
5. Reference JEDEC registration MO-153.

# EXAMPLE BOARD LAYOUT

PW0016A

TSSOP - 1.2 mm max height

SMALL OUTLINE PACKAGE



LAND PATTERN EXAMPLE  
EXPOSED METAL SHOWN  
SCALE: 10X



SOLDER MASK DETAILS

4220204/A 02/2017

NOTES: (continued)

6. Publication IPC-7351 may have alternate designs.
7. Solder mask tolerances between and around signal pads can vary based on board fabrication site.



# EXAMPLE STENCIL DESIGN

PW0016A

TSSOP - 1.2 mm max height

SMALL OUTLINE PACKAGE



SOLDER PASTE EXAMPLE  
BASED ON 0.125 mm THICK STENCIL  
SCALE: 10X

4220204/A 02/2017

NOTES: (continued)

8. Laser cutting apertures with trapezoidal walls and rounded corners may offer better paste release. IPC-7525 may have alternate design recommendations.
9. Board assembly site may have different recommendations for stencil design.

## GENERIC PACKAGE VIEW

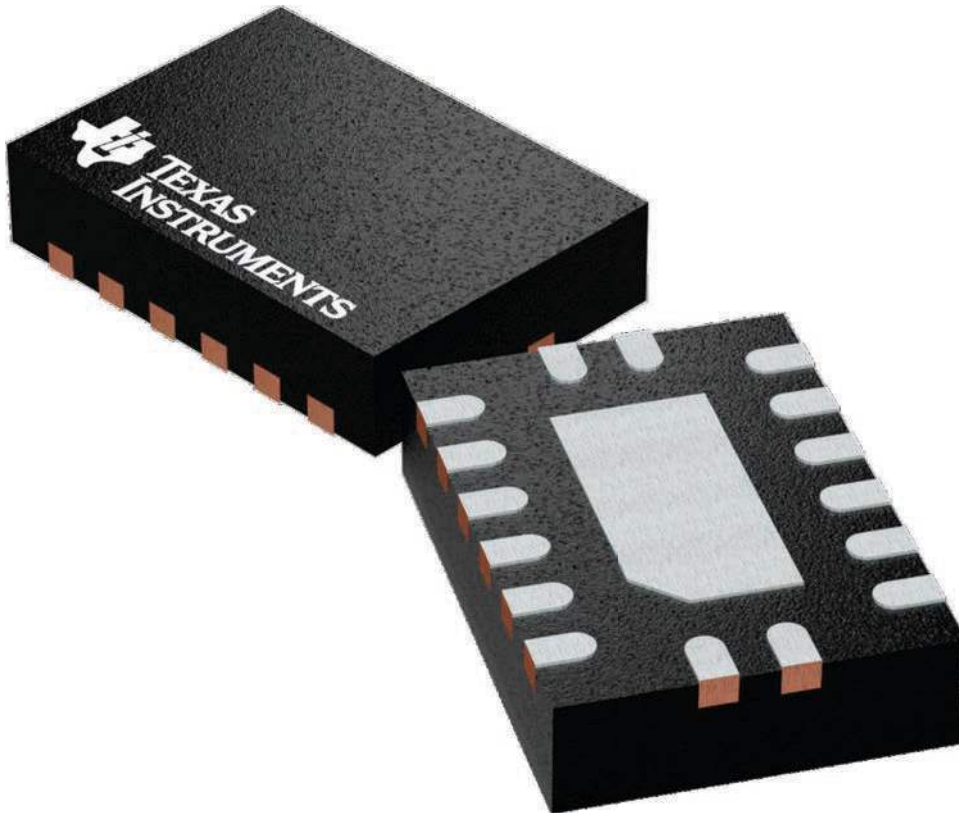
**BQB 16**

**WQFN - 0.8 mm max height**

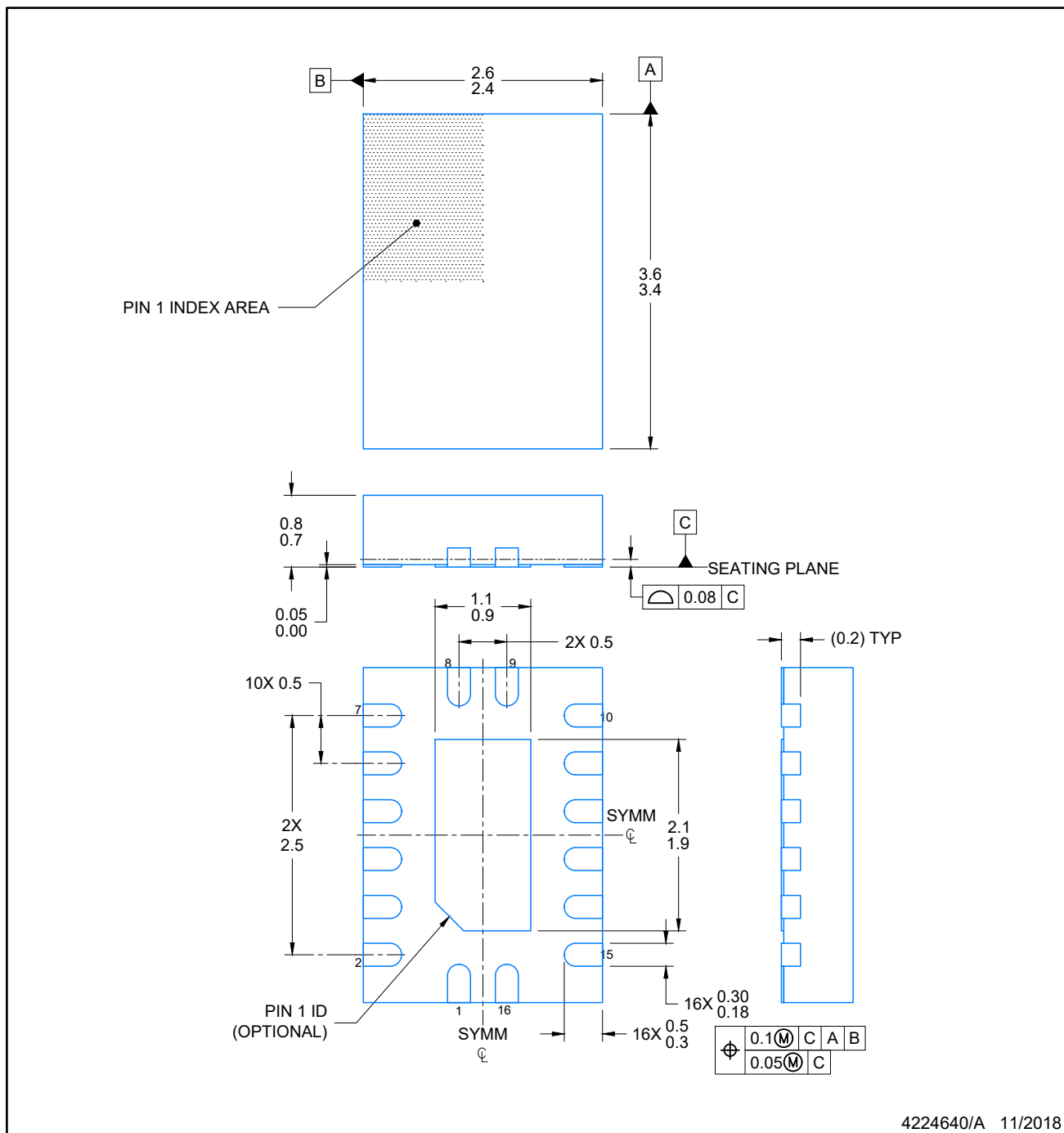
2.5 x 3.5, 0.5 mm pitch

PLASTIC QUAD FLATPACK - NO LEAD

This image is a representation of the package family, actual package may vary.  
Refer to the product data sheet for package details.



4226161/A



**NOTES:**

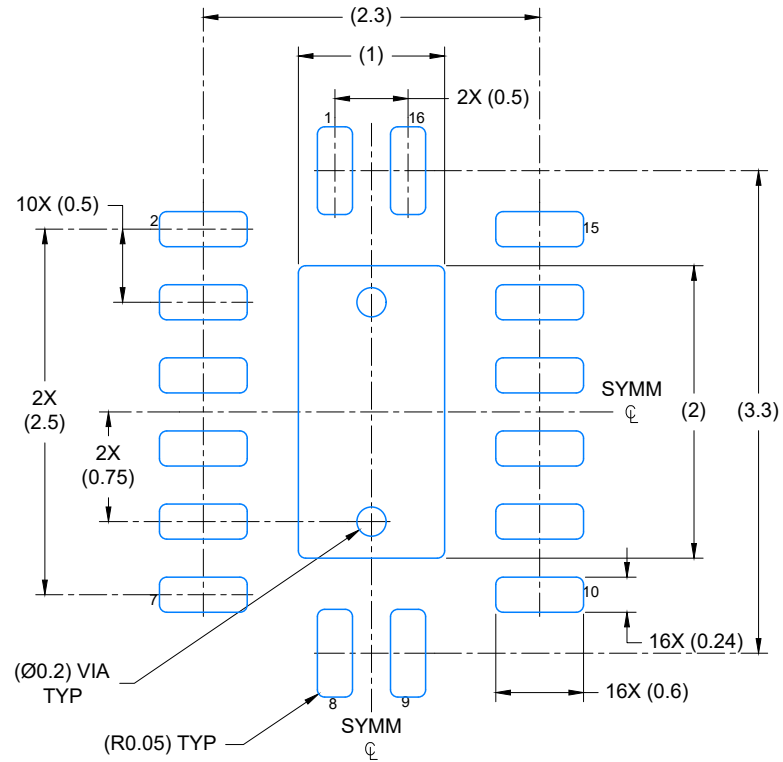
1. All linear dimensions are in millimeters. Any dimensions in parenthesis are for reference only. Dimensioning and tolerancing per ASME Y14.5M.
2. This drawing is subject to change without notice.
3. The package thermal pad must be soldered to the printed circuit board for optimal thermal and mechanical performance.

# EXAMPLE BOARD LAYOUT

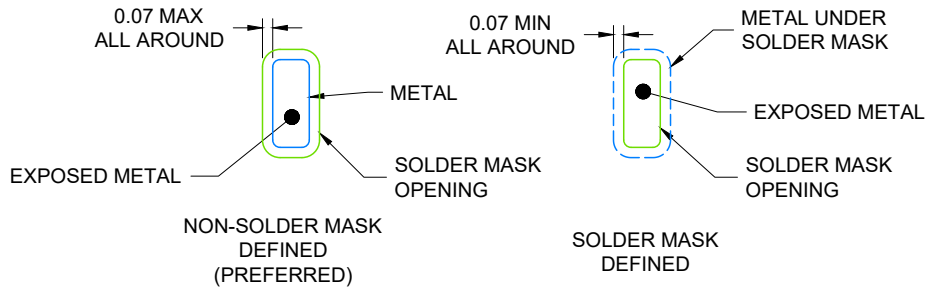
**BQB0016A**

**WQFN - 0.8 mm max height**

PLASTIC QUAD FLAT PACK-NO LEAD



LAND PATTERN EXAMPLE  
EXPOSED METAL SHOWN  
SCALE: 20X



4224640/A 11/2018

NOTES: (continued)

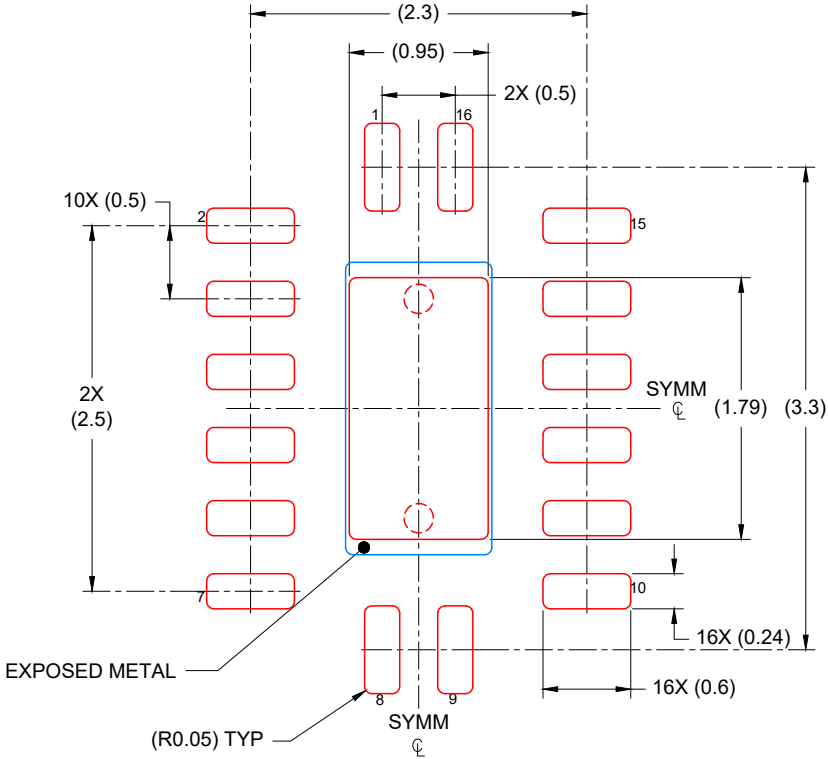
4. This package is designed to be soldered to a thermal pad on the board. For more information, see Texas Instruments literature number SLUA271 ([www.ti.com/lit/sluea271](http://www.ti.com/lit/sluea271)).
5. Vias are optional depending on application, refer to device data sheet. If any vias are implemented, refer to their locations shown on this view. It is recommended that vias under paste be filled, plugged or tented.

# EXAMPLE STENCIL DESIGN

**BQB0016A**

**WQFN - 0.8 mm max height**

PLASTIC QUAD FLAT PACK-NO LEAD



**SOLDER PASTE EXAMPLE**  
 BASED ON 0.125 mm THICK STENCIL

EXPOSED PAD  
 85% PRINTED COVERAGE BY AREA  
 SCALE: 20X

4224640/A 11/2018

NOTES: (continued)

- 6. Laser cutting apertures with trapezoidal walls and rounded corners may offer better paste release. IPC-7525 may have alternate design recommendations.

## IMPORTANT NOTICE AND DISCLAIMER

TI PROVIDES TECHNICAL AND RELIABILITY DATA (INCLUDING DATA SHEETS), DESIGN RESOURCES (INCLUDING REFERENCE DESIGNS), APPLICATION OR OTHER DESIGN ADVICE, WEB TOOLS, SAFETY INFORMATION, AND OTHER RESOURCES "AS IS" AND WITH ALL FAULTS, AND DISCLAIMS ALL WARRANTIES, EXPRESS AND IMPLIED, INCLUDING WITHOUT LIMITATION ANY IMPLIED WARRANTIES OF MERCHANTABILITY, FITNESS FOR A PARTICULAR PURPOSE OR NON-INFRINGEMENT OF THIRD PARTY INTELLECTUAL PROPERTY RIGHTS.

These resources are intended for skilled developers designing with TI products. You are solely responsible for (1) selecting the appropriate TI products for your application, (2) designing, validating and testing your application, and (3) ensuring your application meets applicable standards, and any other safety, security, regulatory or other requirements.

These resources are subject to change without notice. TI grants you permission to use these resources only for development of an application that uses the TI products described in the resource. Other reproduction and display of these resources is prohibited. No license is granted to any other TI intellectual property right or to any third party intellectual property right. TI disclaims responsibility for, and you will fully indemnify TI and its representatives against, any claims, damages, costs, losses, and liabilities arising out of your use of these resources.

TI's products are provided subject to [TI's Terms of Sale](#) or other applicable terms available either on [ti.com](https://www.ti.com) or provided in conjunction with such TI products. TI's provision of these resources does not expand or otherwise alter TI's applicable warranties or warranty disclaimers for TI products.

TI objects to and rejects any additional or different terms you may have proposed.

Mailing Address: Texas Instruments, Post Office Box 655303, Dallas, Texas 75265  
Copyright © 2023, Texas Instruments Incorporated