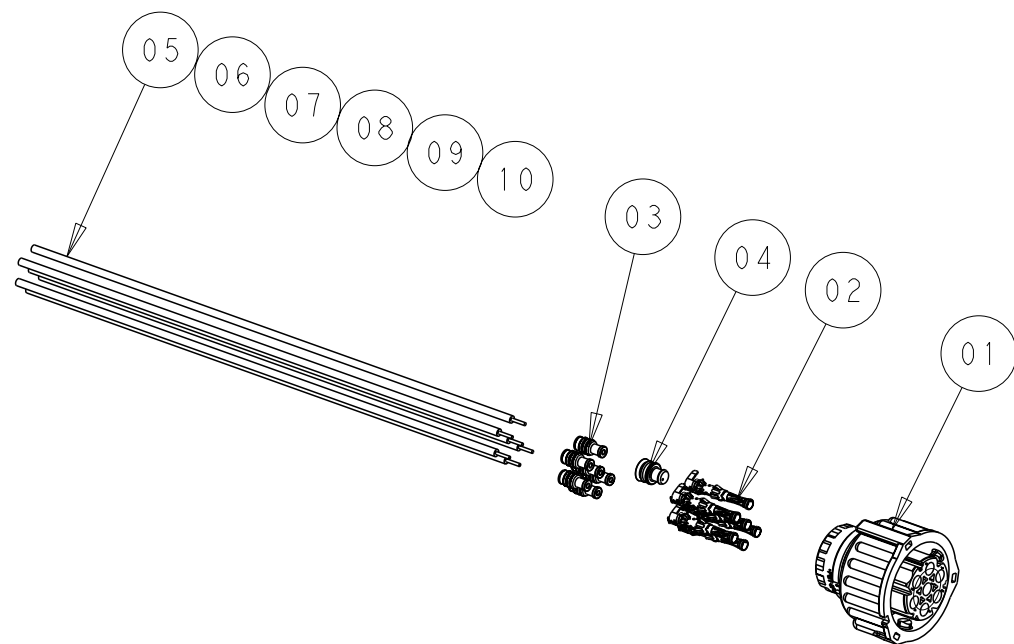


LOC
AP

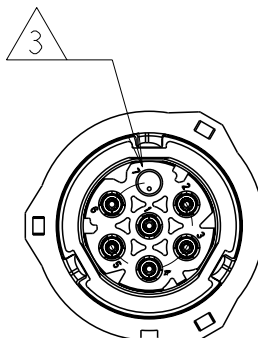
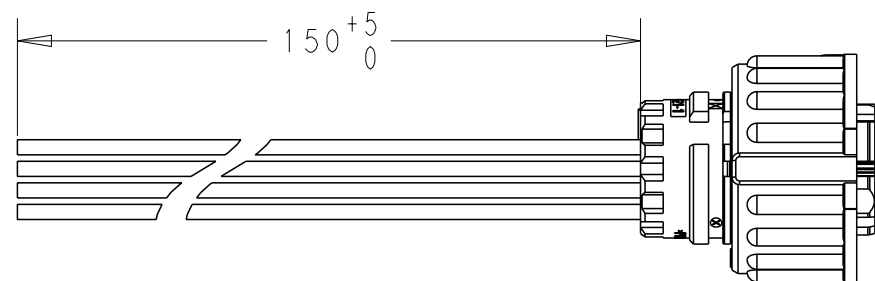
DIST
-

REVISIONS

P	LTR	DESCRIPTION	DATE	DWN	APVD
	A	RELEASED BY ECO 12-005449	20MAR2012	PP	WAO



SCALE 1:2



1 CABO AUTOMOTIVO (0,50 mm² 70° C BWF NBR 11853)
 FIO: 0,50 mm² (10 FILAMENTOS DE 0,24mm)
 TEMPERATURA: 70° C MÁX.
 RESISTÊNCIA ELÉTRICA MÁXIMA: 40,1 Ω / Km
 COR CONFORME TABELA
 ESPESSURA DE ISOLAÇÃO: 0,50mm
 TIPO DE ISOLAÇÃO: PVC 70° C ANTI-CHAMA
 DIÂMETRO DE ISOLAÇÃO: 2,00 ±0,10 mm.

AUTOMOTIVE CABLE (0,50 mm² 70° C BWF NBR 11853)
 WIRE: 0,50mm² (10 STRAND/0,24mm)
 TEMPERATURE: 70°C MÁX.
 ELECTRICAL RESISTENCE MAX.: 40,1 Ω / Km
 COLOR ACCORDING TO THE TABLE
 INSULATION THICKNESS: 0,50mm
 INSULATION: PVC 70°C FLAME RETARDANT
 INSULATION DIAMETER: 2,00 ±0,10 mm

2 ITENS FORNECIDOS PELA TE CONNECTIVITY
 ITENS SUPPLIED BY TE CONNECTIVITY

REQ. PER ASSY	ITEM	DESCRIPTION	NOTES	
	1 10	CABLE	1	
	1 9			
	1 8			
	1 7			
	1 6			
	1 5	2,5MM CAVITY PLUG FOR 5.4MM DI	2	
	6 3			SINGLE WIRE SEAL FOR J.P.T. CON
	6 2			1.5MM SOCK CONTACT
	1 1	1.5MM BU- STE KPL 7P		
	-1			
2133456				

6	GRAY / CINZA	0.5
5	RED/VERMELHO	
4	YELLOW/AMARELO	
3	BLUE/AZUL	
2	BLACK/PRETO	
1	WHITE/BRANCO	
CIRCUIT NUMBER	CABLES COLOR	CROSS SECTION (mm ²)
3		



THIS DRAWING IS A CONTROLLED DOCUMENT.

DIMENSIONS:	TOLERANCES UNLESS OTHERWISE SPECIFIED:
mm	
	0 PLC ±-
	1 PLC ±-
	2 PLC ±-
	3 PLC ±-
	4 PLC ±-
	ANGLES ±-

MATERIAL - FINISH -

DWN 16DEC2011
 F. CHRISTIANO
 CHK 16DEC2011
 J. GOLDSCHMIDT
 APVD 16DEC2011
 W. OLIVEIRA

PRODUCT SPEC -
 APPLICATION SPEC -
 WEIGHT -

NAME
CABLE ASSY 1,5 MM PIN HSG FEMALE



SIZE A3 CAGE CODE 00779 DRAWING NO. C-2133456 RESTRICTED TO -

CUSTOMER DRAWING SCALE 1:1 SHEET 1 OF 1 REV A