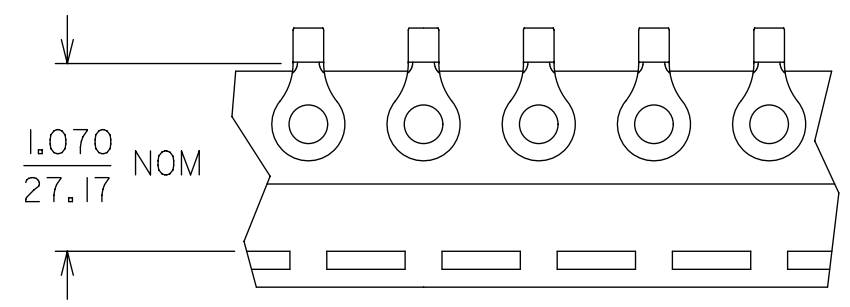
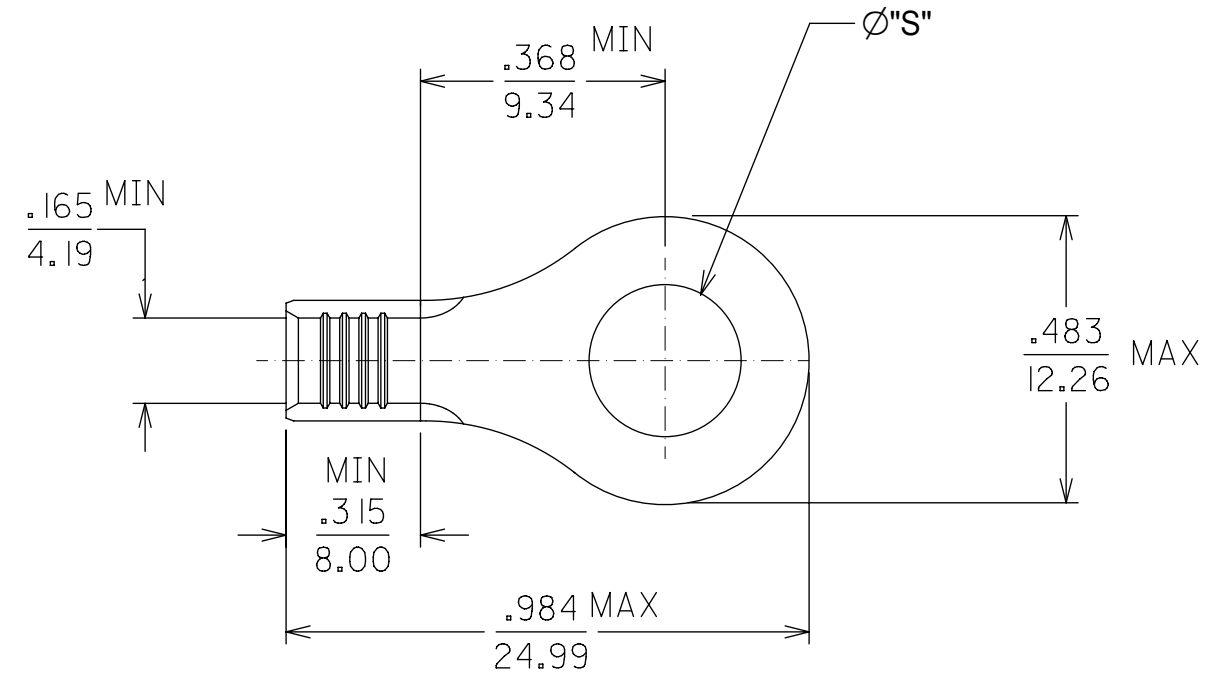
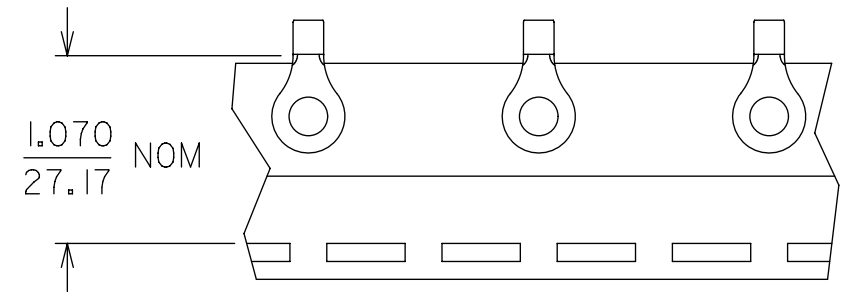


MATERIAL NUMBER	ENGG NUMBER	Ø"S"	PACKAGING
191930143	D-350-06	.146	LOOSE PIECE
191930146	D-350-08	.173	
191930149	D-350-10	.198	
191930152	D-350-14	.265	
191930157	D-350-56	.328	
191930148	D-350-08T	.173	TAPE PARTS
191930151	D-350-10T	.198	
191930155	D-350-14T	.265	
191930158	D-350-56T	.328	
<b>191930156</b>	<b>D-350-14TD</b>	<b>.265</b>	<b>DBL SPCD TAPE PART</b>



(B2) SINGLE SPACED PARTS ON TAPE



DOUBLE SPACED PARTS ON TAPE

- MATERIAL: TERMINAL: COPPER  
.045/1.14 THICK REF.  
PLATING : ELECTRO TIN
- ALL DIMENSIONS = INCHES / MM
- PART IS ROHS COMPLIANT.

THIS DRAWING CONTAINS INFORMATION THAT IS PROPRIETARY TO MOLEX ELECTRONIC TECHNOLOGIES, LLC AND SHOULD NOT BE USED WITHOUT WRITTEN PERMISSION											
DIMENSION UNITS <b>IN/MM</b>		SCALE <b>4:1</b>		CURRENT REV DESC: ADD SINGLE SPACE						<b>molex</b>	
GENERAL TOLERANCES (UNLESS SPECIFIED)				EC NO: 623662		2019/08/27		RING TONGUE TERMINAL, 8 AWG			
4 PLACES ±		±		DRWN: PKH		2019/09/06		PRODUCT CUSTOMER DRAWING			
3 PLACES ±		± 0.005		CHK'D: JMACNEIL		2019/09/06		DOCUMENT NUMBER			
2 PLACES ±		± 0.13 ± 0.01		APPR: JMACNEIL		2019/09/06		SD-19193-016			
1 PLACE ±		± 0.25 ±		INITIAL REVISION:		2001/01/23		DOC TYPE DOC PART REVISION			
0 PLACES ±		±		DRWN: EDB		2001/01/23		PSD 001 B2			
ANGULAR TOL ± 0.5°		±		APPR: HEB		2001/01/23		MATERIAL NUMBER CUSTOMER SHEET NUMBER			
DRAFT WHERE APPLICABLE MUST REMAIN WITHIN DIMENSIONS				THIRD ANGLE PROJECTION		DRAWING B-SIZE		SERIES 19193		SEE CHART GENERAL MARKET 1 OF 1	