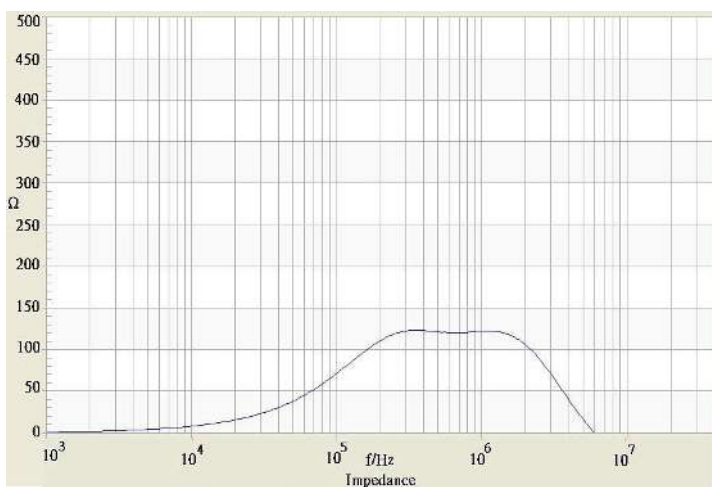


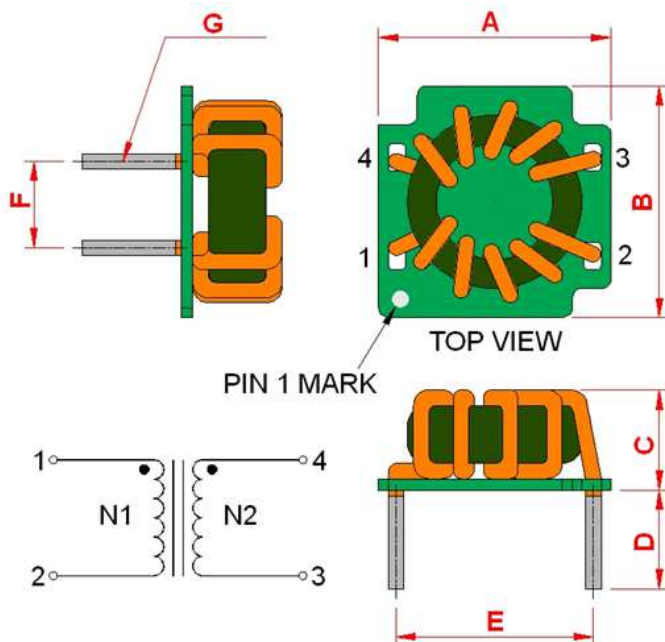
Order Code	TCK-086
Inductance (each winding)	156 $\mu\text{H} \pm 35\%$ (at 100 kHz / 100 mV)
Impedance (DCR)	3 m Ω max.
Rated Current	25 A max.
Rated Voltage	500 VDC max. (between windings)
Operating Temperature	-40°C to +105°C
RoHS Exemptions	No Exemptions



Impedance Curve



Outline Dimensions



Dimensions [mm]

A	16.6 ± 0.4
B	16.4 ± 0.4
C	12.5 max.
D	5.0 ± 1.0
E	14.1 ± 0.5
F	6.1 ± 0.5
G	\varnothing 1.8 max.

All specifications valid at +25°C, unless otherwise stated.