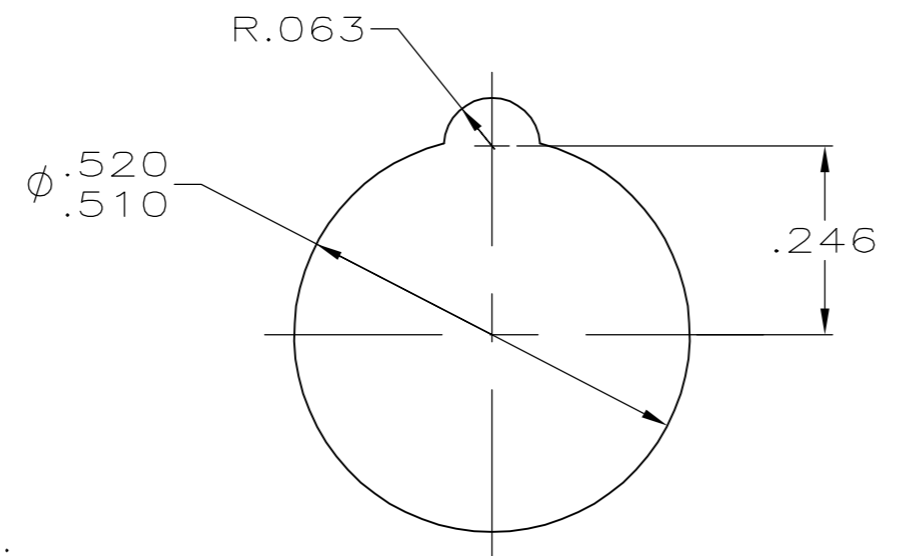
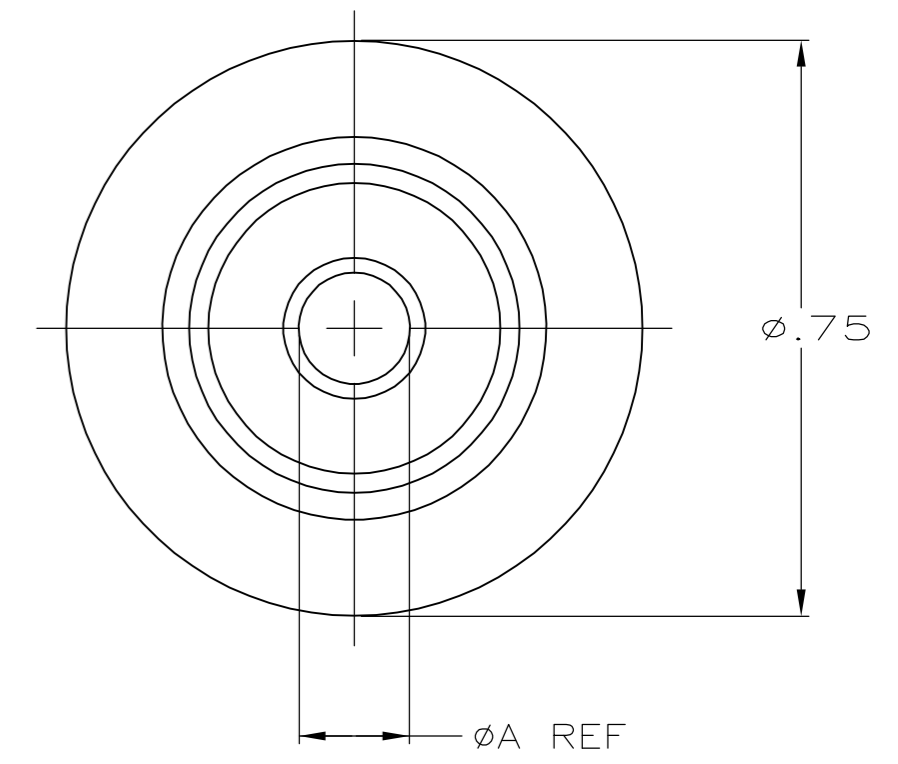
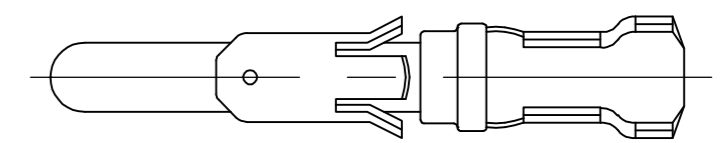
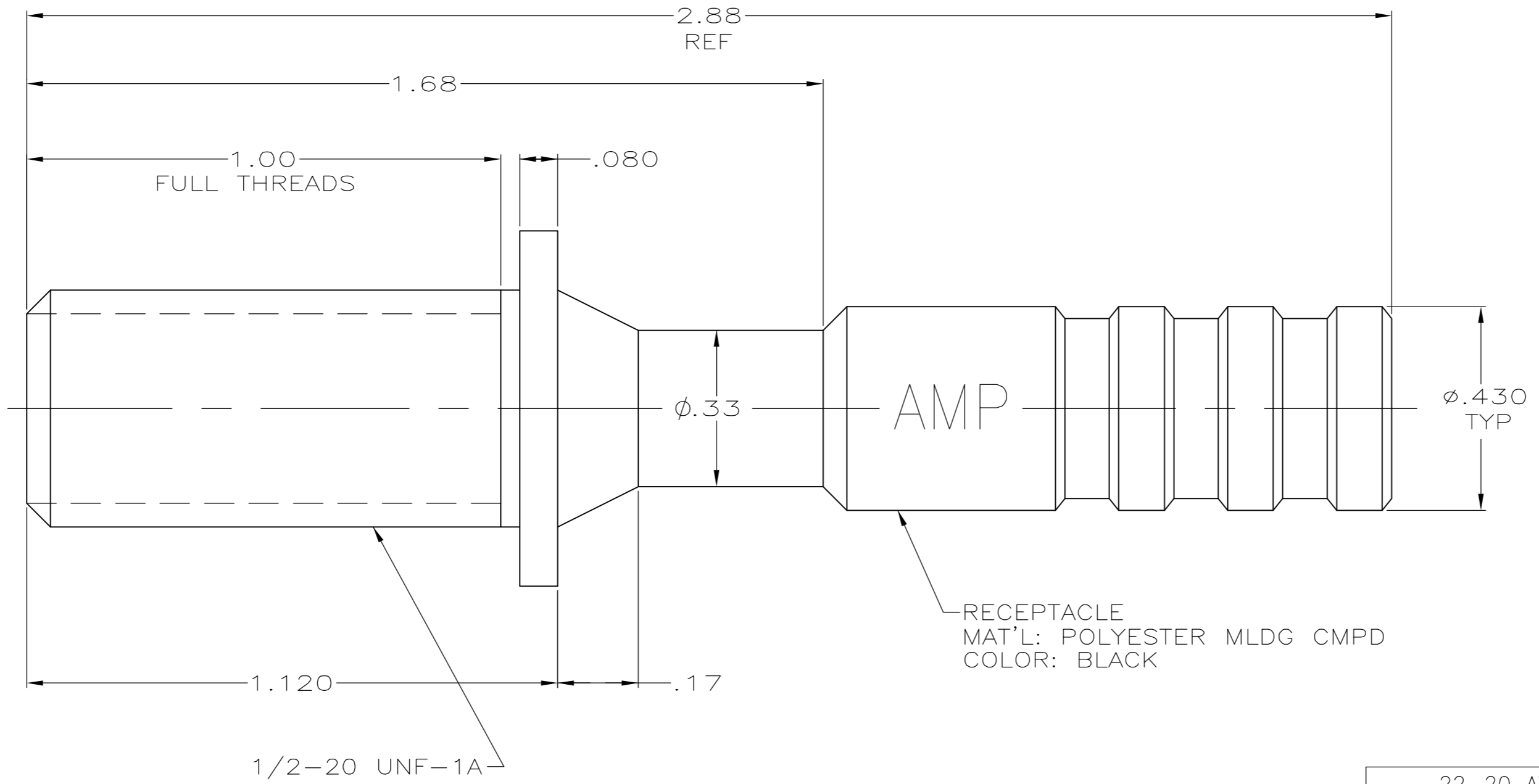


THIS DRAWING IS UNPUBLISHED. RELEASED FOR PUBLICATION - .N/A .
 © COPYRIGHT N/A BY TYCO ELECTRONICS CORPORATION. ALL RIGHTS RESERVED.

| LOC | DIST | REVISIONS | | | | | |
|-----|------|-----------|-----|----------------------|-------|-----|------|
| DF | S0 | P | LTR | DESCRIPTION | DATE | DWN | APVD |
| | | G | | REV PER OH14-0191-05 | 05-05 | AA | DE |



1. MAX VOLTAGE:
20 KVDC
8 KVDC RMS 60 HZ
2. USE AMP CRIMP TOOL: #90067-2
3. NUT AND PIN CONTACT SUPPLIED WITH KIT UNASSEMBLED.

| | WIRE GAGE | REF | DIM A | REF | PIN CONTACT TYPE III+ L.P. | QTY = 1 | PART NUMBER |
|----------|-----------|------|-----------|------------|----------------------------|---------|-------------|
| | 22-20 AWG | .302 | 1-66400-0 | 5-862197-4 | | | |
| | 18-16 AWG | .185 | 1-66099-5 | 5-862197-3 | | | |
| | 18-16 AWG | .302 | 1-66099-5 | 5-862197-2 | | | |
| | 22-20 AWG | .185 | 1-66400-0 | 5-862197-1 | | | |
| OBSOLETE | 14 AWG | .302 | 66361-2 | 862197-8 | | | |
| OBSOLETE | 14 AWG | .185 | 66361-2 | 862197-7 | | | |
| | - | .302 | - | 862197-6 | | | |
| | - | .185 | - | 862197-5 | | | |
| | 22-20 AWG | .302 | 66400-1 | 862197-4 | | | |
| | 18-16 AWG | .185 | 66099-2 | 862197-3 | | | |
| | 18-16 AWG | .302 | 66099-2 | 862197-2 | | | |
| | 22-20 AWG | .185 | 66400-1 | 862197-1 | | | |

THIS DRAWING IS A CONTROLLED DOCUMENT.

| | | |
|------|------------|-----------|
| DWN | C.C.THOMAS | 04-MAY-01 |
| CHK | D. EABY | 04-MAY-01 |
| APVD | D. EABY | 04-MAY-01 |

tyco Electronics Tyco Electronics Corporation
Harrisburg, Pa 17105-3608

NAME: RECEPTACLE LGH

| | | | |
|------|-----------|------------|---------------|
| SIZE | CAGE CODE | DRAWING NO | RESTRICTED TO |
| A2 | 00779 | C=862197 | - |

CUSTOMER DRAWING SCALE: 4:1 SHEET 1 OF 1 REV G