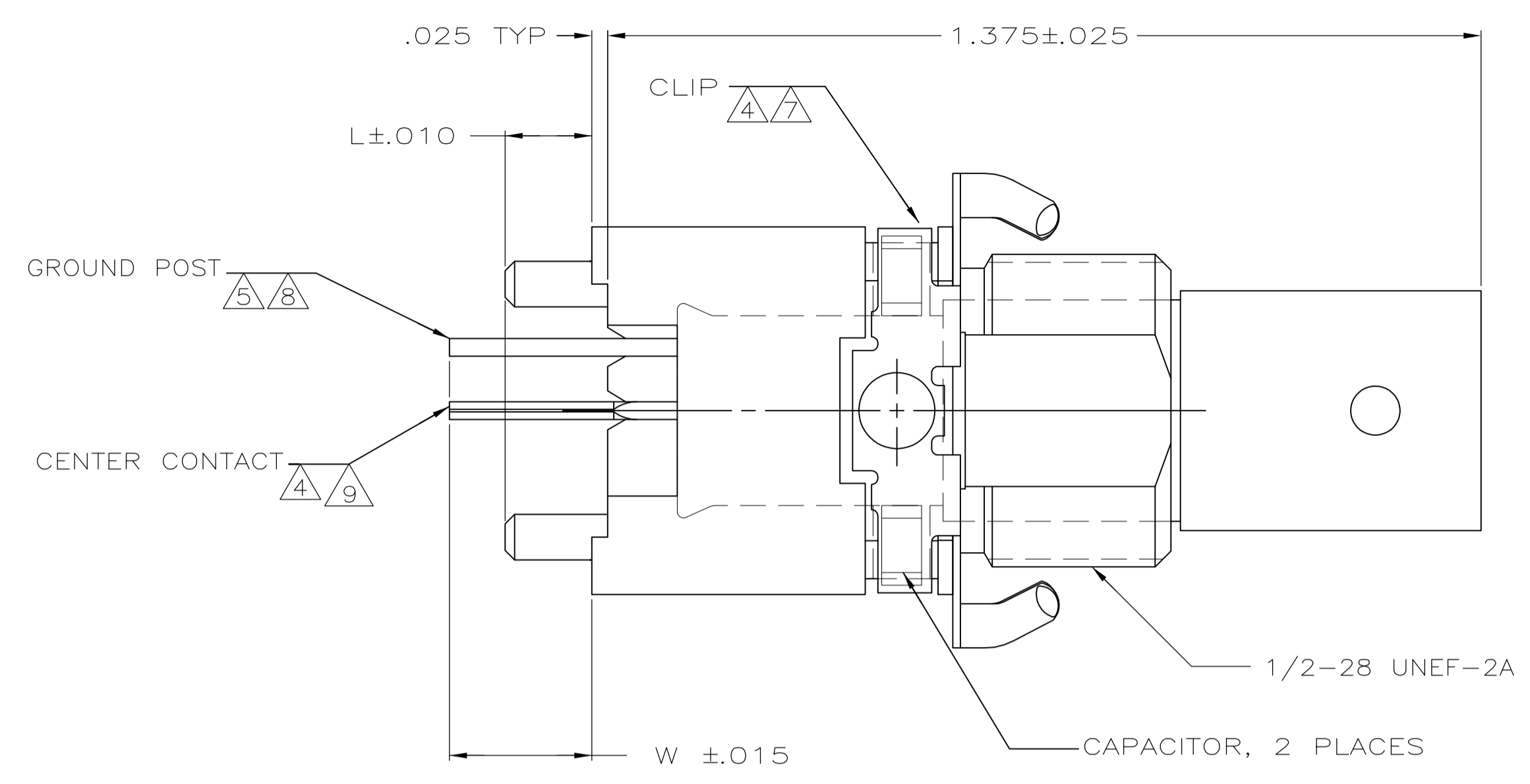
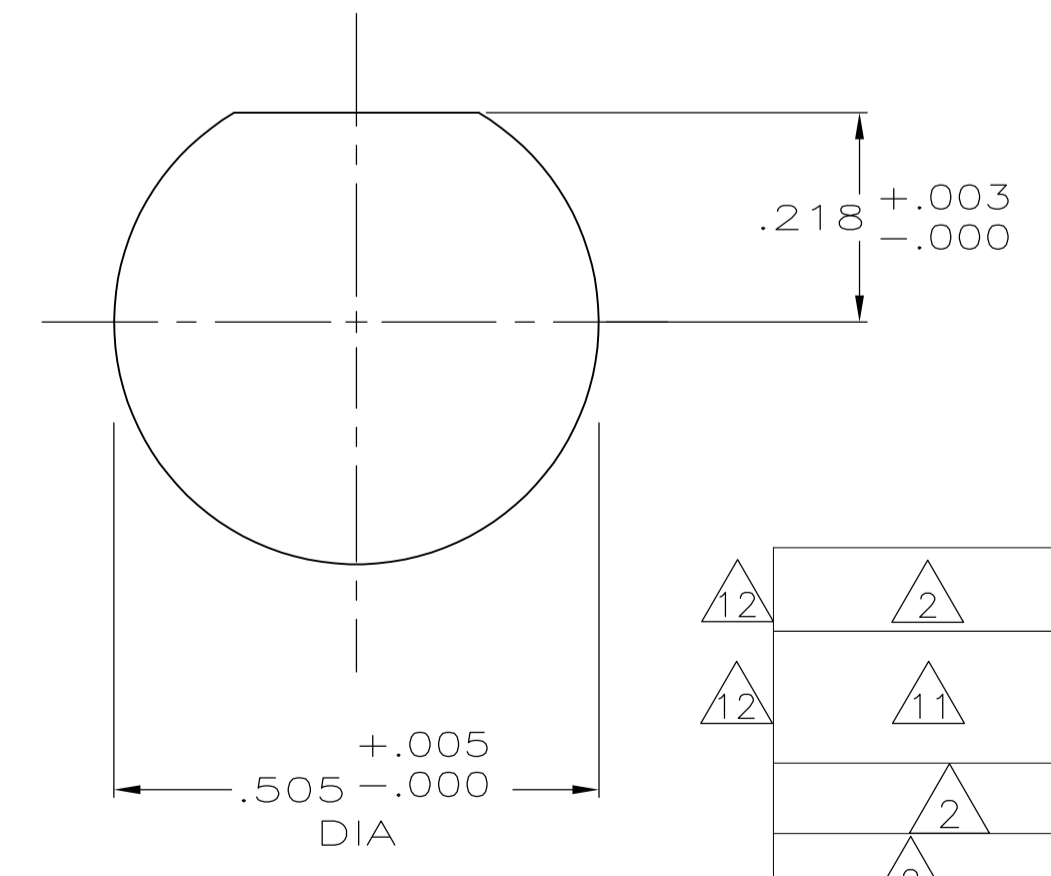
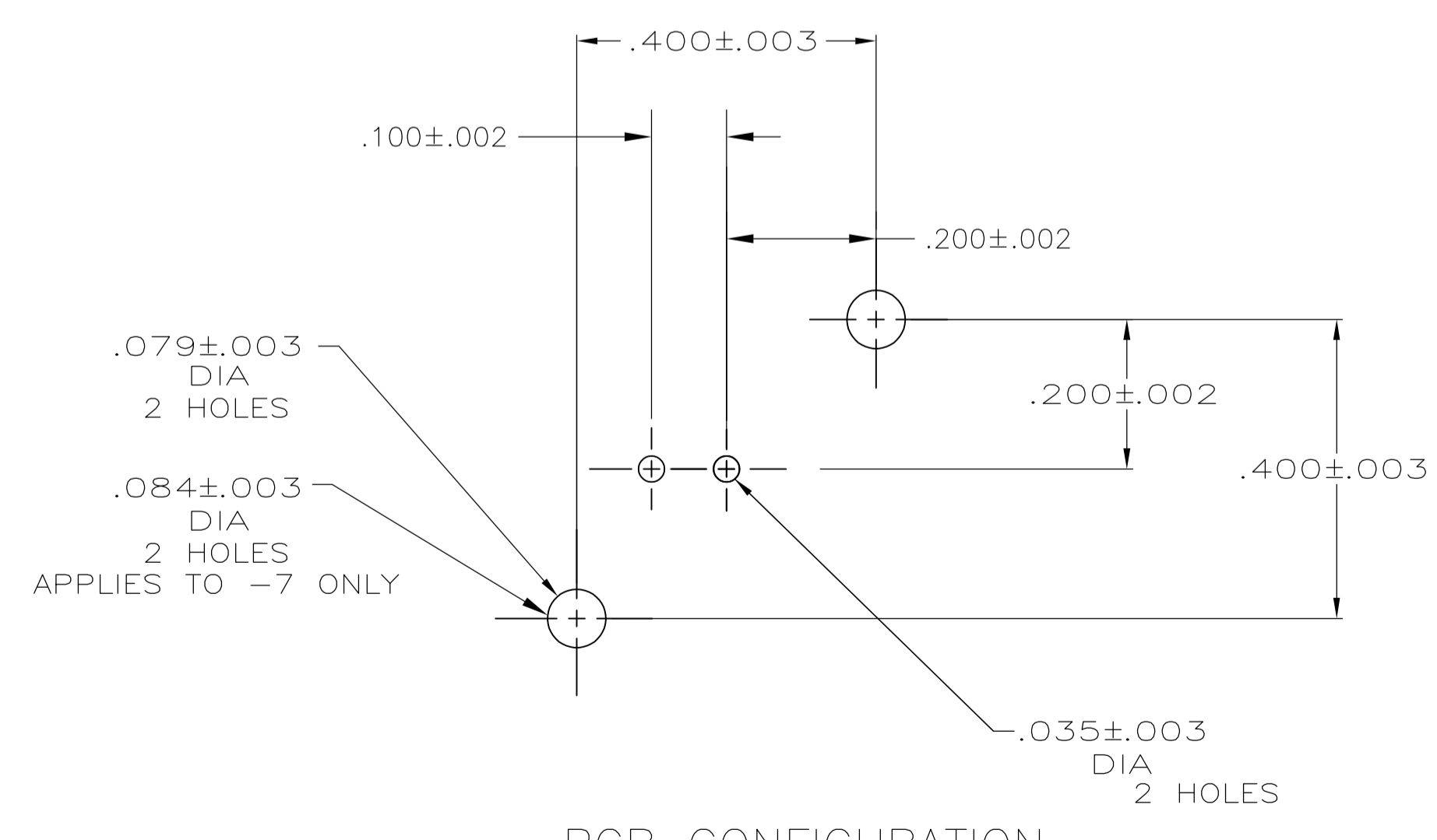
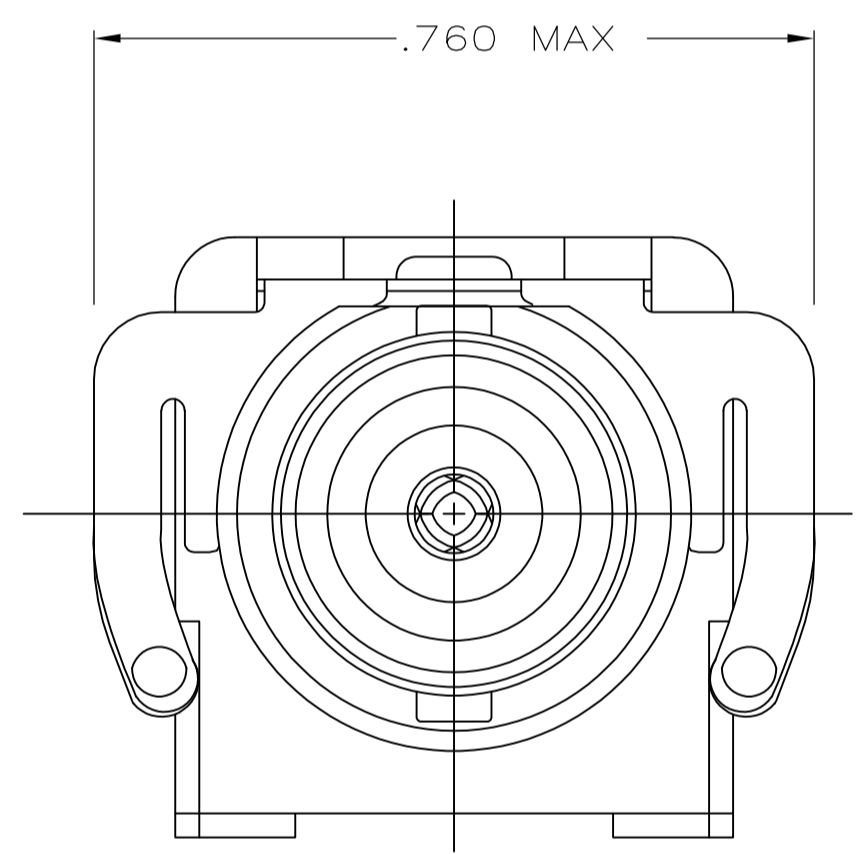
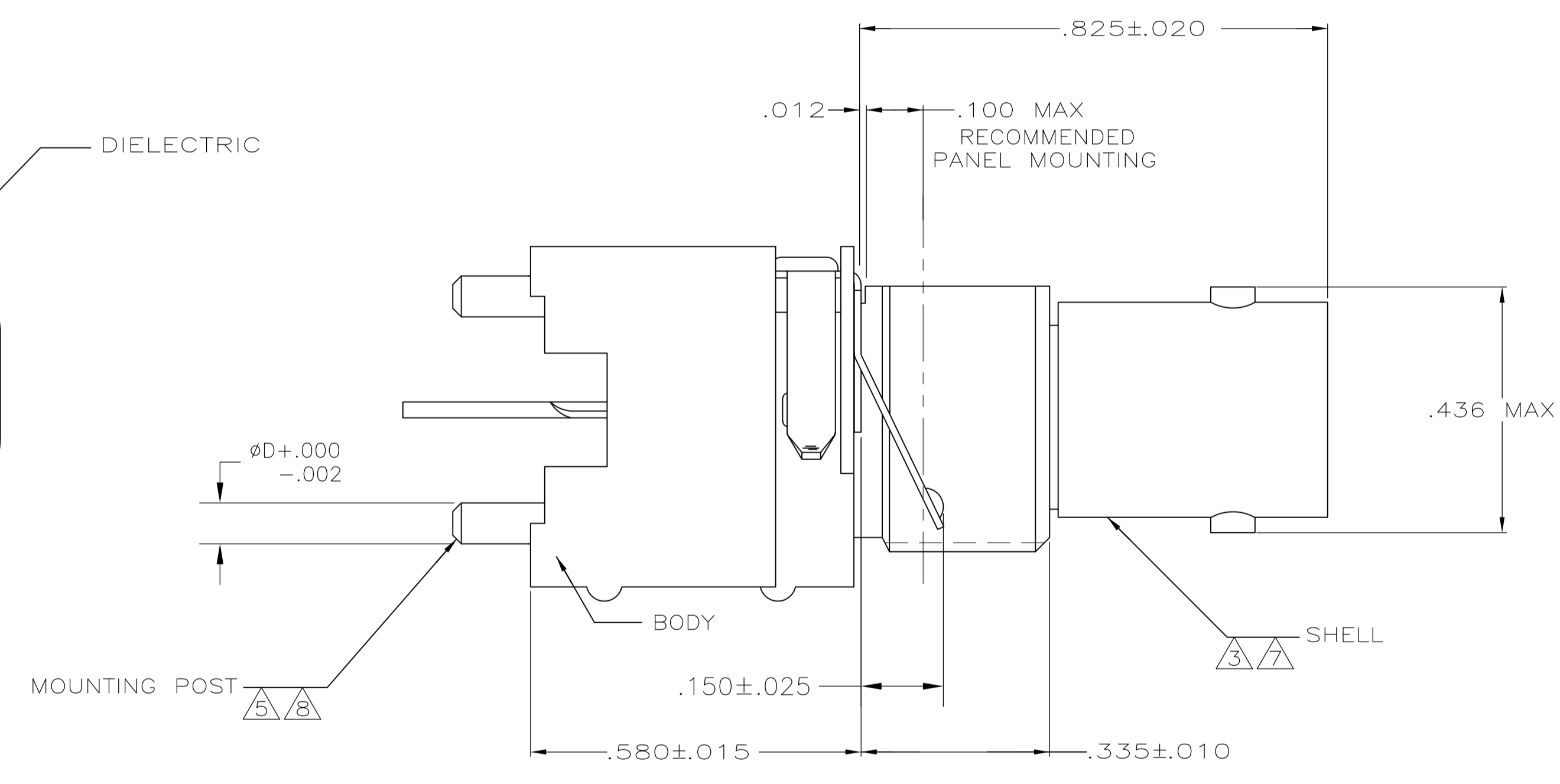
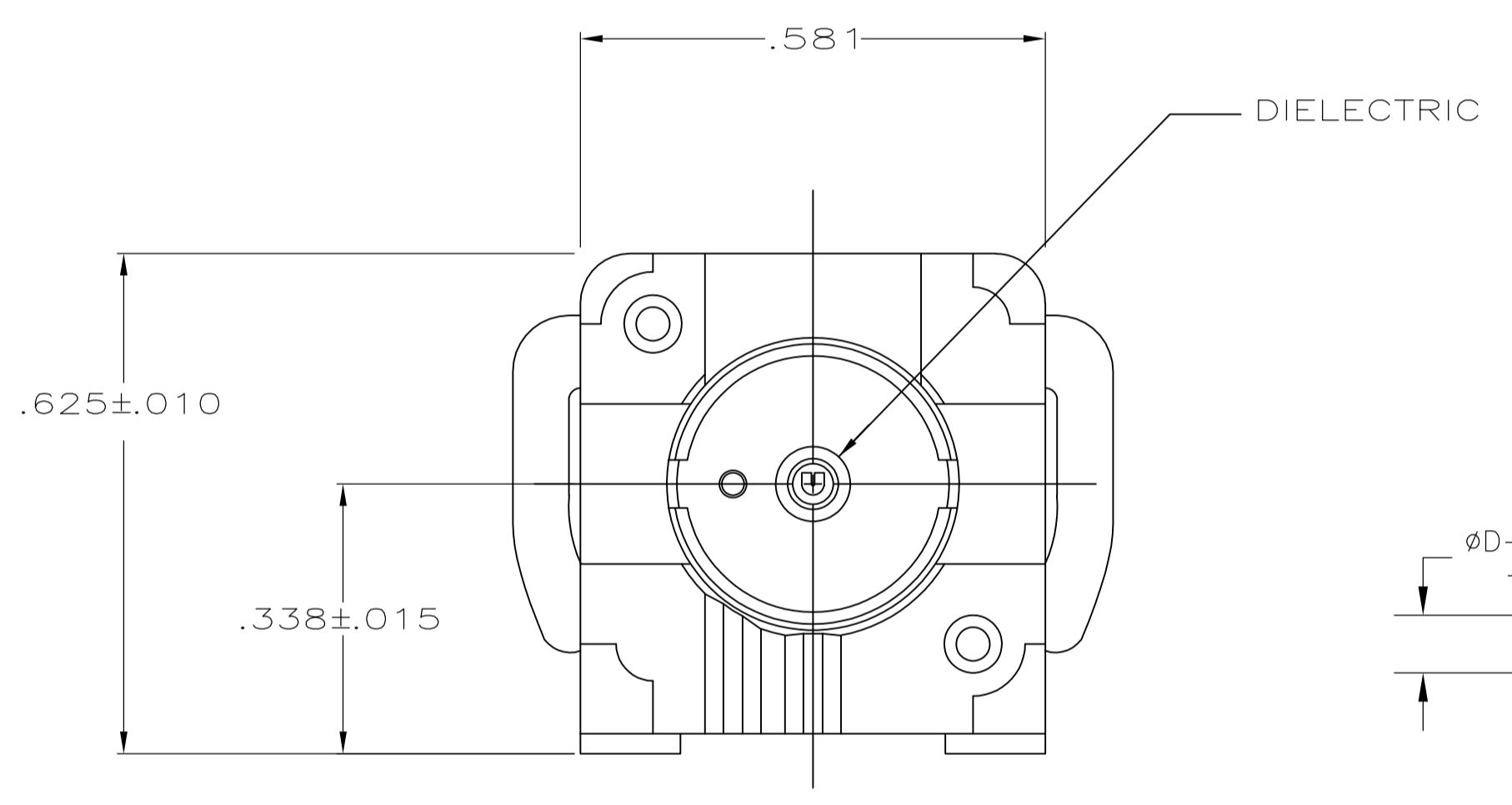


REV	DATE	BY	CHKD	APVD
C	7/22/2008	DW	JL	
D	10/09/2009	AEG	WKE	
D1	10NOV09	KK	AEG	



- ① POLYESTER, PBT, BLACK, PER MIL-M-24519
- ② POLYMETHYLPENTENE GENERAL PURPOSE
- ③ ZINC PER QQ-Z-363
- ④ PHOSPHOR BRONZE PER QQ-B-750
- ⑤ BRASS PER QQ-B-626
- ⑥ BRASS PER ASTM B 453
- ⑦ NICKEL PL PER QQ-N-290
- ⑧ TIN PLATE PER ASTM B 545
- ⑨ SELECTIVELY GOLD PLATED ON INTERFACE AREA PER ASTM B 488, .000030 THK, TIN PLATED ON SOLDER TAIL PER ASTM B 545, ALL OVER NICKEL PL PER: QQ-N-290
- ⑩ POLYESTER, PCT, BLACK, GENERAL PURPOSE
- ⑪ PTFE PER ASTM-D-1710
- ⑫ TRAY PACKAGING
- ⑬ OBSOLETE PARTS: OBSOLETE CIS STREAMLINING PER D.RENAUD/D.SINISI



DIELECTRIC MATERIAL	BODY MATERIAL	W	ØD	L	CAPACITANCE AND VOLTAGE	PART NUMBER
②	①	.225	.072	.137	9400 pf, 1500 VDC	5413476-8
②	⑩	.169 +.008 -.007	.077	.137	9400 pf, 1500 VDC	⑬ 5413476-7
②	①	.225	.072	.158	9400 pf, 1500 VDC	5413476-6
②	①	.225	.072	.137	9400 pf, 1500 VDC	5413476-2

THIS DRAWING IS A CONTROLLED DOCUMENT.

DIMENSIONS: INCHES

TOLERANCES UNLESS OTHERWISE SPECIFIED:

0. PLC	± .005
1. PLC	± .003
2. PLC	± .002
3. PLC	± .001
4. PLC	± .0005
ANGLES	± .005

MATERIAL: ①-⑬ FINISH: ⑦-⑨

THIS DRAWING IS A CONTROLLED DOCUMENT. **Tyco Electronics** Tyco Electronics Corporation Harrisburg, Pa 17105-3608

APVD: J. LIPPERT 21APR2005 NAME: JACK, DECOUPLER, VERTICAL, PCB, SERIES BNC

PRODUCT SPEC: 108-1269

APPLICATION SPEC: -

SIZE: A1 CAGE CODE: 00779 DRAWING NO: 5413476 RESTRICTED TO: -

WEIGHT: -

CUSTOMER DRAWING SCALE: 5:1 SHEET: 1 OF 1 REV: D1