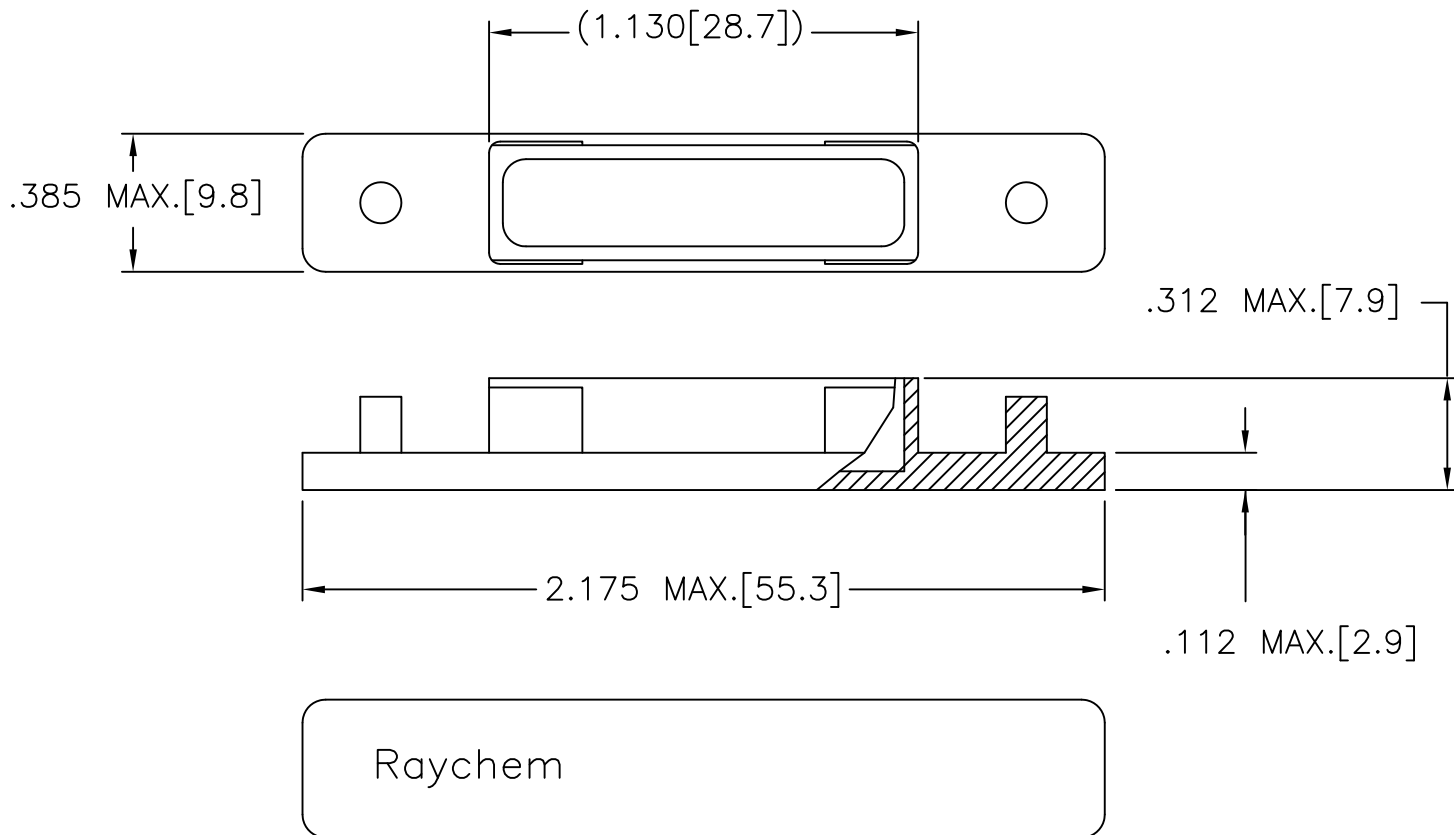


THIS DRAWING AND THE INFORMATION SET FORTH HERE-ON ARE THE PROPERTY OF TE CONNECTIVITY AND ARE TO BE HELD IN TRUST AND CONFIDENCE. PUBLICATION, DUPLICATION, DISCLOSURE, OR USE FOR ANY PURPOSE NOT EXPRESSLY AUTHORIZED IN WRITING BY TE CONNECTIVITY IS PROHIBITED.

REVISION

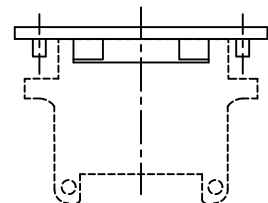
REV	DESCRIPTION	DATE	APPROVED
B	PER ECO-11-005629	MAR/17/2011	M.HIGGY



NOTES:

- THIS PART IS USED WITH MTC100, 1 INCH RECEPTACLE CONNECTORS.
- MATERIAL: ELECTROSTATIC DISSIPATIVE POLYETHYLENE MEETING REQUIREMENTS OF MIL-PRF-81705 TYPE II. COLOR PINK
- WEIGHT: 0.003 Lbs. [1.32 gram.] MAXIMUM.
- THE PARTS TO BE PACKAGED IN A SEALED PLASTIC BAG OF 25 DUST CAPS PER BAG.

VIEW SHOWING TYPICAL INSTALLATION


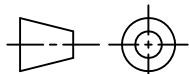


RECEPTACLE CONNECTOR

If this document is printed it becomes uncontrolled. Check for the latest revision

Raychem MTC
CUSTOMER DRAWING

© 2005-2011 TE Connectivity. All rights reserved.

UNLESS OTHERWISE SPECIFIED DIMENSIONS ARE INCHES. METRIC DIMENSIONS ARE IN BRACKETS.	DRAWN	DATE	 TE Connectivity			
	ZS.ORBAN	FEB-1-05				
DECIMAL TOLERANCES .XXX ± .005 [.13 mm] .XX ± .01 [.25 mm] .X ± [mm]	APPROVED	DATE	TITLE CAP, DUST, 1 INCH, RECEPTACLE MTC100 SERIES ELECTROSTATIC PROTEC., COLOR PINK			
	M.HIGGY	FEB-1-05				
ANGLE TOLERANCE .X ±	MATERIAL	FINISH AS MOLDED				
WEIGHT 3	THIRD ANGLE PROJECTION		SIZE	CAGE CODE:	DWG. NO.	REV:
			A	06090	CHA-0097	B
CAD FILE CHA-0097	SCALE: NONE			SHEET 1 OF 1		