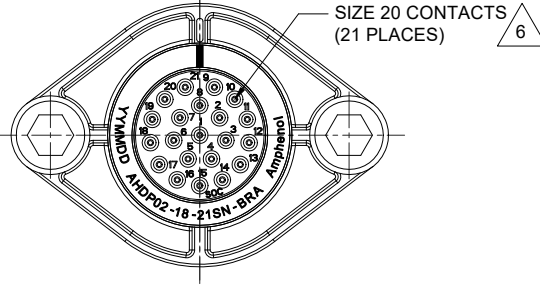
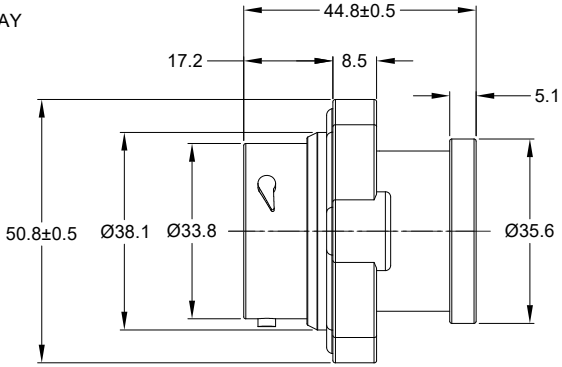
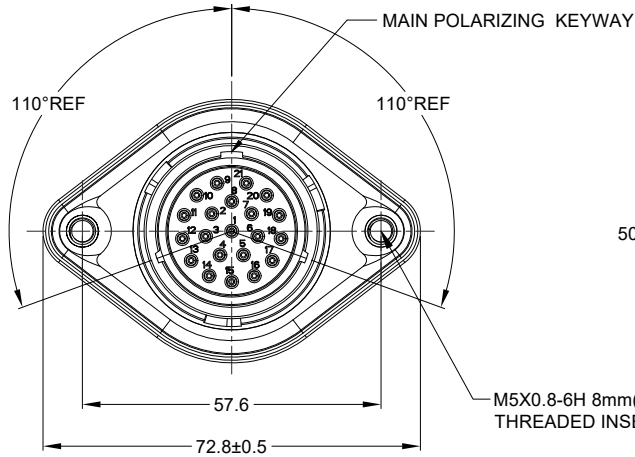


REVISIONS					
REV	ECO	DESCRIPTION	DATE	BY	APPR
A1	-	RELEASE NEW DRAWING	20/APR/22	MILO	TOMMY



M5X0.8-6H 8mm(2X) DEEP  
THREADED INSERT

RECOMMENDED TORQUE  
VALUES: 1.9-2.2 N.m

NOTES: UNLESS OTHERWISE SPECIFIED

1. MATERIAL:  
HOUSING: THERMOPLASTIC; BLACK  
SEAL: SILICONE RUBBER  
THREADED INSERT: STAINLESS STEEL

2. MODIFICATIONS: BACKSHELL RING ADAPTER (BRA);  
STANDARD DIA. WIRE SEAL;  
SEALED PANEL MOUNT

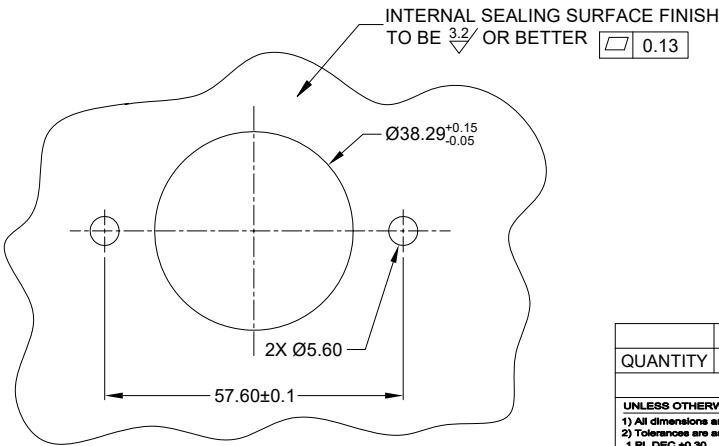
3. SPECIFICATIONS:  
3.1 OPERATING TEMPERATURE: -55°C TO +125°C.  
3.2 DIELECTRIC WITHSTANDING VOLTAGE: LESS THAN 2  
MILLIAMPS CURRENT LEAKAGE @ 1500 VOLTS AC.  
3.3 INSULATION RESISTANCE: 1000 MEGOHM MIN @ 25°C.  
3.4 MOISTURE RESISTANCE:  
IP68(IM OF WATER FOR A PERIOD OF 24 HOURS,MATED  
CONDITION);  
IP69K (MATED CONDITION)  
3.5 MATING CYCLE DURABILITY: 100 CYCLES  
3.6 RoHS COMPLIANT

4. MATING PART: AHDP06-18-21P\* (\* = SEAL TYPE)

5. ALL DIMENSIONS ARE FOR REFERENCE USE ONLY.

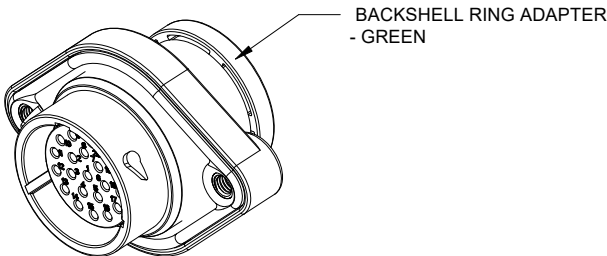
6 CONTACT SIZE AND WIRE RANGE:

CONTACT SIZE	MIN. INSUL O.D.	MAX. INSUL O.D.	TYPICAL WIRE RANGE	CURRENT RATING
20	1.02 mm (.040 in)	2.41 mm (.095 in)	16-22 AWG (1.5-0.35mm <sup>2</sup> )	7.5 AMPS



RECOMMENDED PANEL MOUNTING HOLE

RECOMMENDED PANEL THICKNESS: 1.6 TO 4.7MM



QUANTITY	AHDP02-18-21SN-BRA	DESCRIPTION	ITEM
	PART NUMBER		

MATERIALS LIST		
SIGNATURES	DATE	
DRAWN: MILO	20/APR/22	<p style="text-align: center;"><b>Amphenol</b></p> <p style="text-align: center;">Sine Systems - www.amphenol-sine.com 44724 Morley Drive Clinton Township, MI 48036</p>
CHECKED: SULLEN	21/APR/22	
ENGINEER:		
APPROVAL: TOMMY	22/APR/22	

MATERIAL SPECIFICATIONS:	CUSTOMER:	21POS, RECEPT, SOCKET, PANELMATE AHDP SIZE 18, NORMAL SEAL, BRA
WEIGHT: 53.7g		
PROCESS SPECIFICATIONS:	THIS DRAWING IS SUPPLIED FOR INFORMATION ONLY. DESIGN FEATURES, SPECIFICATIONS AND PERFORMANCE DATA SHOWN HEREON ARE THE PROPERTY OF THE AMPHENOL CORPORATION. NO RIGHTS OF REPRODUCTION ARE IMPLIED. ALL DIMENSIONS ARE SUBJECT TO NORMAL MANUFACTURING VARIATIONS.	
NEXT ASSY:	SCALE: NONE	DWG NO: <b>AHDP02-18-21SN-BRA</b> TYPE: DURAMATE SHEET 1 OF 1

TITLE: 21POS RECEPT SOCKET, PANELMATE AHDP SIZE 18, NORMAL SEAL, BRA  
 DWG NO: AHDP02-18-21SN-BRA  
 REV: A1  
 SH: 1  
 OF: 1