

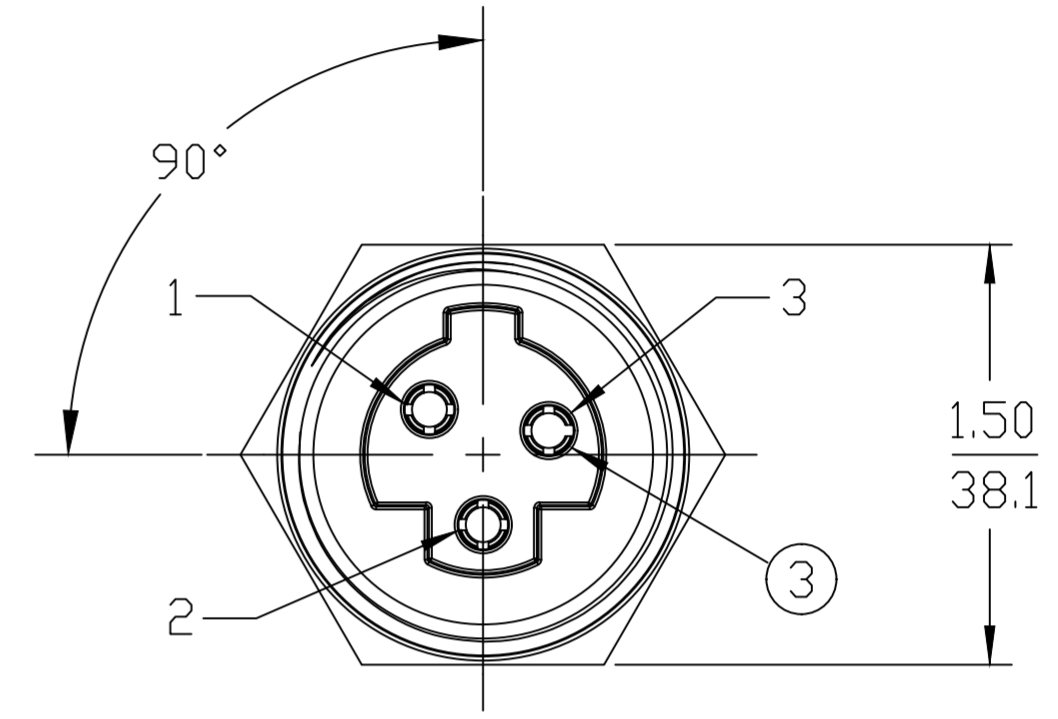
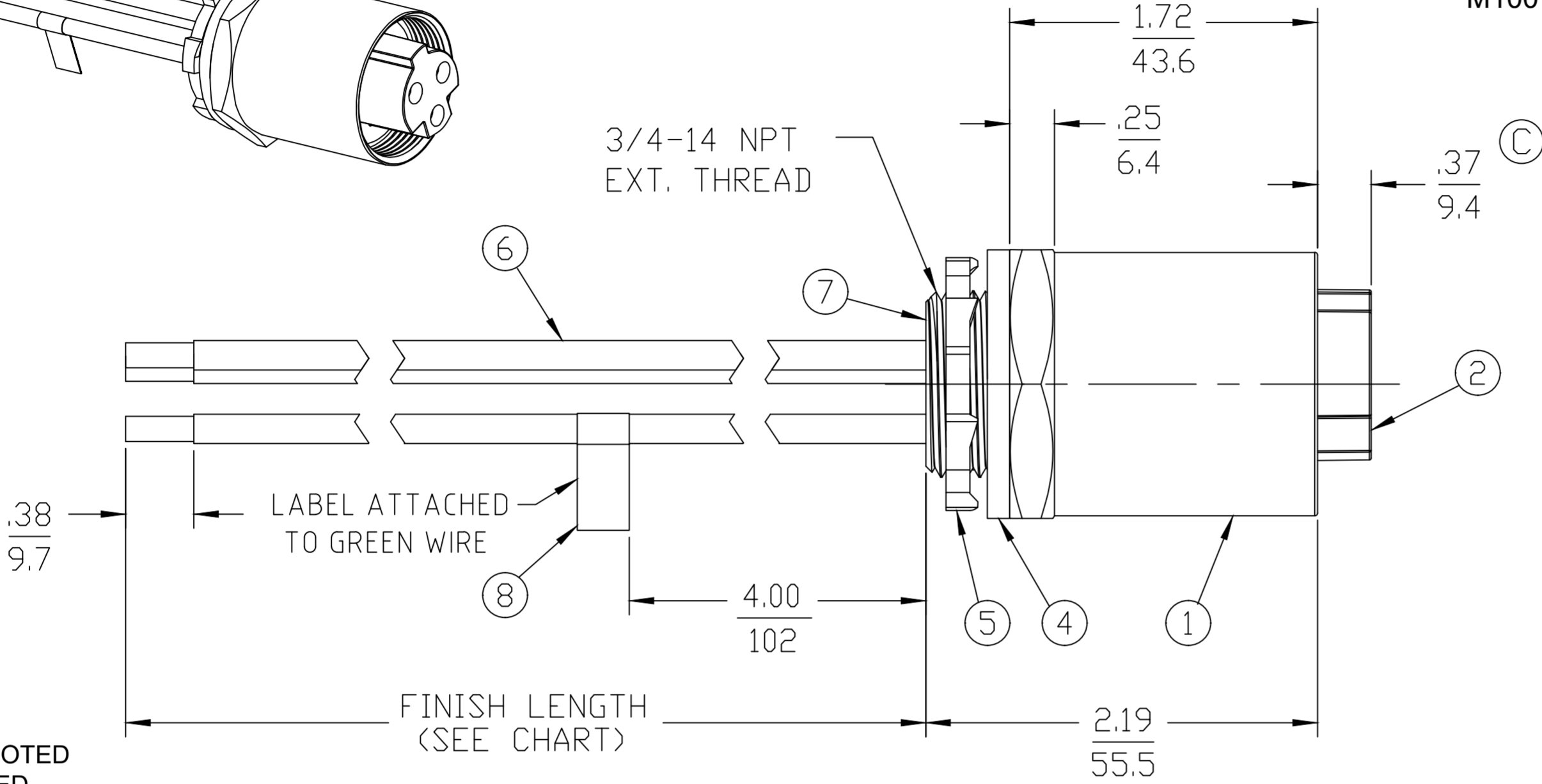
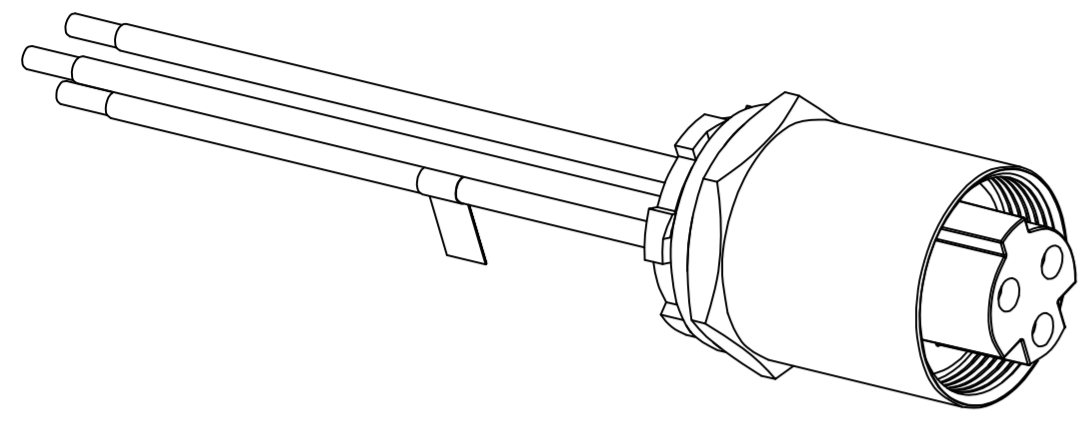
PART NUMBER	ENGINEERING NUMBER	FINISH LENGTH
1300660145	CR3D00A30M010	3.28' [1.0M]
1300660211	CR3D00A30M030	9.84' [3.0M]
1300660258	CR3D00A30M005	1.64' [0.5M]

PART NUMBER LEGEND

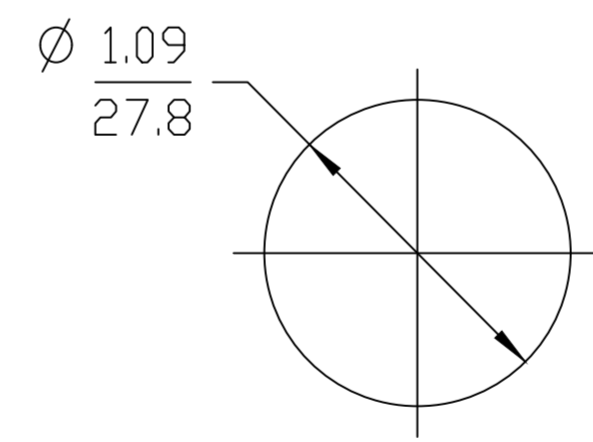
CR3D00A30M005

LENGTH
M005 = 0.5 METER
M010 = 1 METER
M100 = 10 METER

CABLE LENGTH TOLERANCES	
>.3M [1FT]:	+19mm-0 [+.75in-0]
.3 - .9M [1 - 3FT]:	+44.5mm-0 [+1.75in-0]
.9 - 1.8M [3 - 6FT]:	+55.6mm-0 [+2.19in-0]
1.8 - 3.7M [6 - 12FT]:	+88.9mm-0 [+3.50in-0]
3.7 - 7.3M [12 - 24FT]:	+165.1mm-0 [+6.50in-0]
7.3-14.6M [24 - 48FT]:	+317.5mm-0 [+12.50in-0]
14.6 - 30.5M [48-100FT]:	+622.3mm-0 [+24.50in-0]
OVER 30M [100FT]	+2% OF FINISHED LENGTH



- NOTES:**
1. MATERIAL: AS NOTED
 2. FINISH: AS NOTED
 3. ELECTRICAL:
VOLTAGE: 3P: 630V PER IEC60664
600V PER UL2237
CURRENT: 32A
 4. TEMP RATING: -20°TO +90°C
 5. PROTECTION: IP67 (WHEN MATED)
 6. COUPLING THREAD: 1 3/8-16 UN
 7. UL LISTED FILE: E258922
 8. ALL DIMS ARE FOR REFERENCE UNLESS NOTED OR DIMENSIONED OTHERWISE



BLACK	1
GREEN/YELLOW	2
WHITE	3

WIRING DIAGRAM

8	FLAG LABEL	VINYL	YELLOW
7	POTTING	EPOXY	BLACK
6	#10-1 AWG UL1015 WIRE	PVC JACKET	SEE WIRING DIAGRAM
5	LOCKNUT	STEEL	ZINC PLATED
4	GASKET	NEOPRENE	BLACK
3	SOCKET CONTACT	COPPER ALLOY	GOLD PLATED
2	FEMALE INSERT, 3 POLE	TPE (C)	BLACK
1	RECEPTACLE SHELL	ALUMINUM	BLACK ANODIZED
ITEM	DESCRIPTION	MATERIAL	FINISH

REF. THIS DRAWING SUPERSEDES CO-CREATE DOC REV.

SYMBOLS		THIS DRAWING CONTAINS INFORMATION THAT IS PROPRIETARY TO MOLEX ELECTRONIC TECHNOLOGIES, LLC AND SHOULD NOT BE USED WITHOUT WRITTEN PERMISSION		CURRENT REV DESC: GREEN/YELL WIRE WAS GREEN, CORRECTED .37 DIM, INSERT WAS PVC	
▽ = 0	DIMENSION UNITS	SCALE			
▽ = 0	INCH/MM	1:1			
▽ = 0	GENERAL TOLERANCES (UNLESS SPECIFIED)		EC NO: 626034		
▽ = 0		mm	INCH	DRWN: RSTONE 2019/10/18	
▽ = 0	4 PLACES	±----	±----	CHK'D: MZIELINSKI 2020/01/10	
▽ = 0	3 PLACES	±----	±----	APPR: BWOODMAN 2020/01/21	
▽ = 0	2 PLACES	±----	±----	INITIAL REVISION:	
▽ = 0	1 PLACE	±----	±----	DRWN: CLYORK 2010/01/19	
▽ = 0	0 PLACES	±----	±----	APPR: DTITUS 2010/01/20	
▽ = 0	ANGULAR TOL ± ---- °		THIRD ANGLE PROJECTION		
▽ = 0	DRAFT WHERE APPLICABLE MUST REMAIN WITHIN DIMENSIONS		DRAWING SERIES		
▽ = 0			C-SIZE 130066		
DOCUMENT STATUS		P1	RELEASE DATE	2020/01/21	20:08:16
DOCUMENT NUMBER		CUSTOMER		DOC TYPE	DOC PART
SD-130066-061		GENERAL MARKET		PSD	001
SHEET NUMBER		1 OF 1			