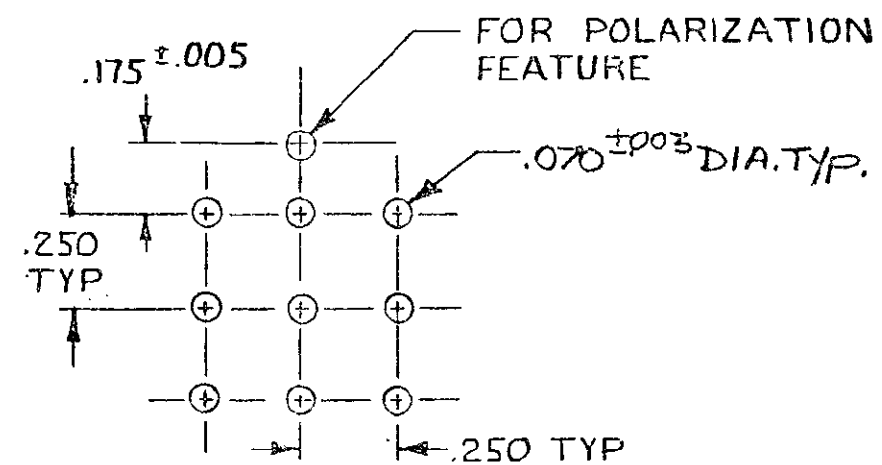
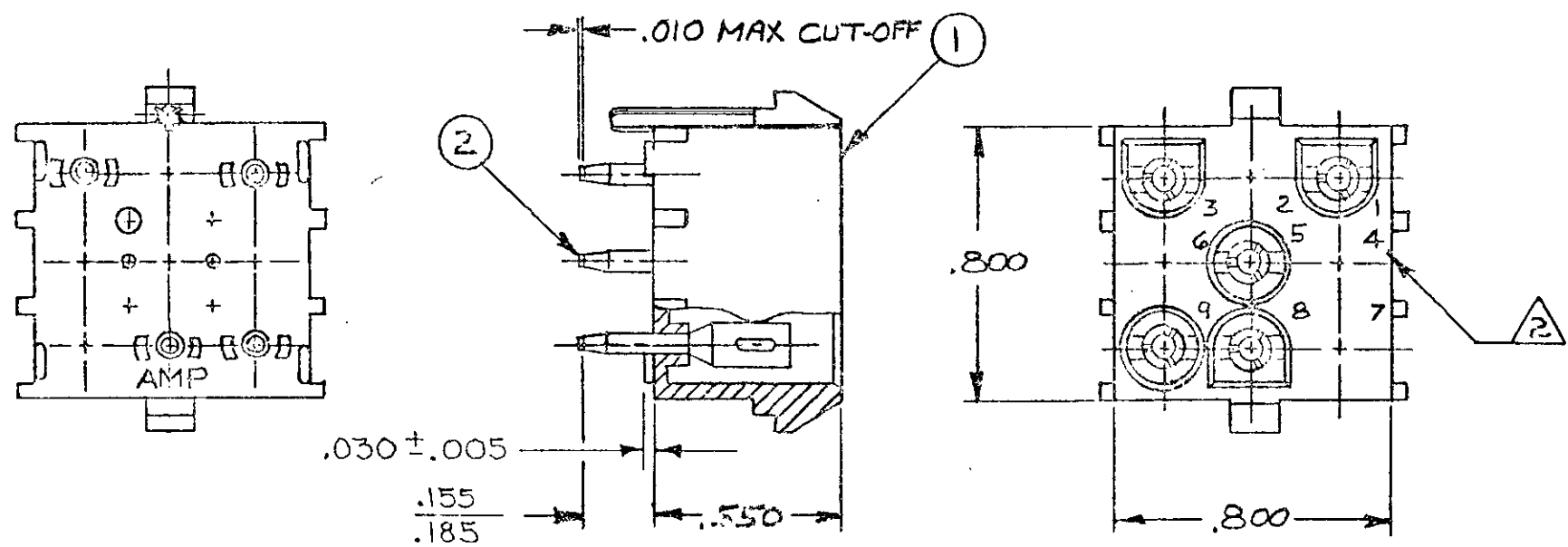


REVISIONS					
P	ZONE	LTR	DESCRIPTION	DATE	APPROVED
✓		0	RELEASES NEW DRAWING 6-TT183-17	3/21/83	DAS/DH
✓		A	REVISED PER ECN M-7383	9-9-83	SDW
✓		B	REVISED PER ECN AG 214	1-27-84	MC
✓		B1	RESTORATION	9-24-85	K/S/NJ
✓		C	REVISE PER CM-1511	2-10-89	PKC
✓		D	OBSOLETE -1 PER CM-1376	7-12-88	PH
✓		E	REACT -1 PER PR CM 92-36	4-15-92	NG
✓		F	REV PER ECN 0730-3928-92	1-8-93	NG
✓		G	REV PER EC 0730-0111-95	8-29-95	JH



No. PER ASSY	DESCRIPTION	MATERIAL & FINISH	ITEM No.	PART NO
9	SOCKET	PH BRZ, PRE-TIN	2	6434-25-1
1	HOUSING	NYLON, 94V-2, NATURAL	1	

UNLESS OTHERWISE SPECIFIED DIMENSIONS ARE IN INCHES. TOLERANCES ON: DECIMALS ± .015 ANGLES ±	CONTRACT NO		AMP INCORPORATED Harrisburg, Pa.	
	DR	3-21-83	NAME HEADER ASSEMBLY, SOCKET, POLARIZED UNIVERSAL MATE-N-LOK™, 9 CIRCUIT	
	CHK	S. Hilde 4/8/83		
	MATERIAL	APPD	SIZE	FSCM NO
SEE TABLE	APPD	15	00779	643425
FINISH	DSGN APPD	SCALE	SHEET	
SEE TABLE	OTHER APPD	2:1		

- 1. PARTS COMPLY WITH AMP SOLDERABILITY SPEC 109-11-3.
- 2. CIRCUIT IDENTIFICATION CHARACTERS ARE ADJACENT TO THE INDICATED CAVITIES, BUT LOCATION AND ORIENTATION MAY DIFFER FROM PRINT.